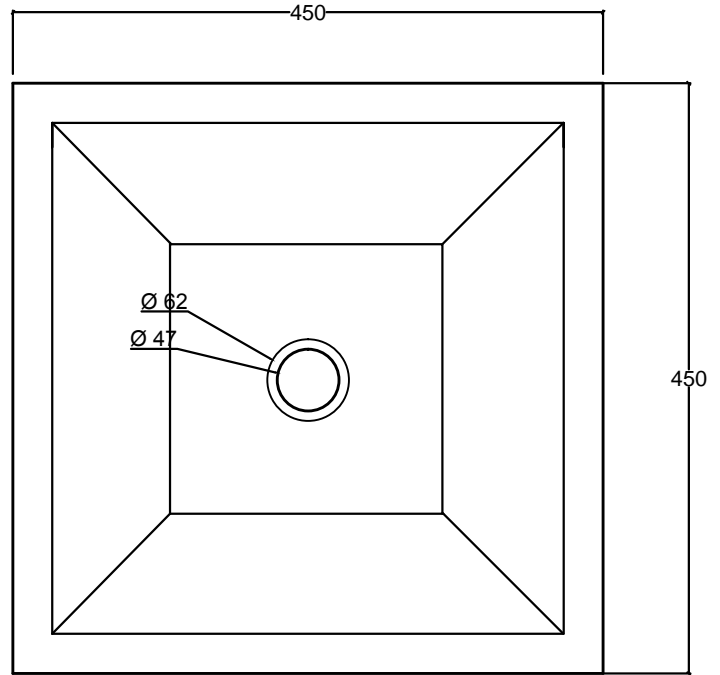
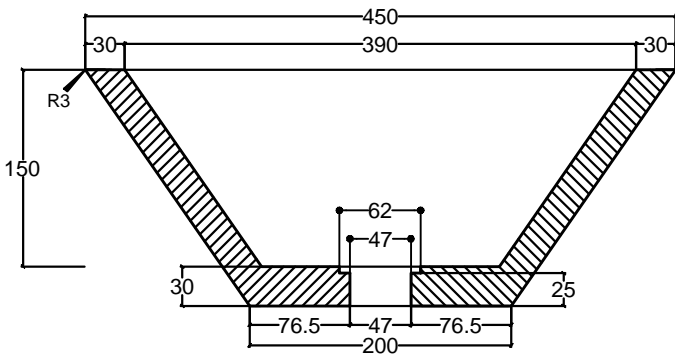


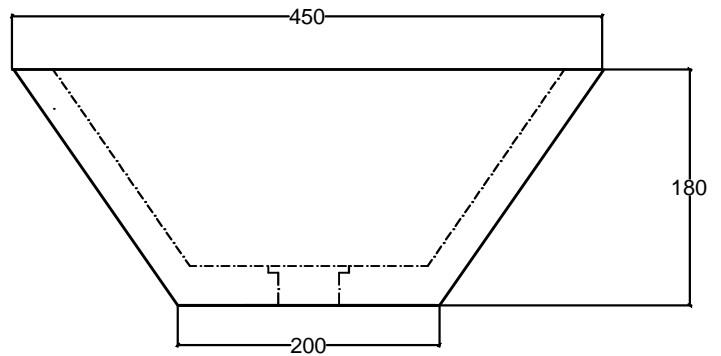
TOP VIEW



ELEVATION



FRONT / SIDE VIEW



Siacco

| Art. | size (W*D*H) | material | box / pall | pcs/box | box size | net kg/pcs | gross kg/box | pallet size | SH Code |
|--------|--------------|----------|-------------|---------|-------------|------------|--------------|-------------|------------|
| MSJ110 | 450*450*180 | marble | 16/20/24/28 | 1 | 525*525*255 | 22 | 25.75 | 96*96*14 | 6908902000 |

Gardhill Group