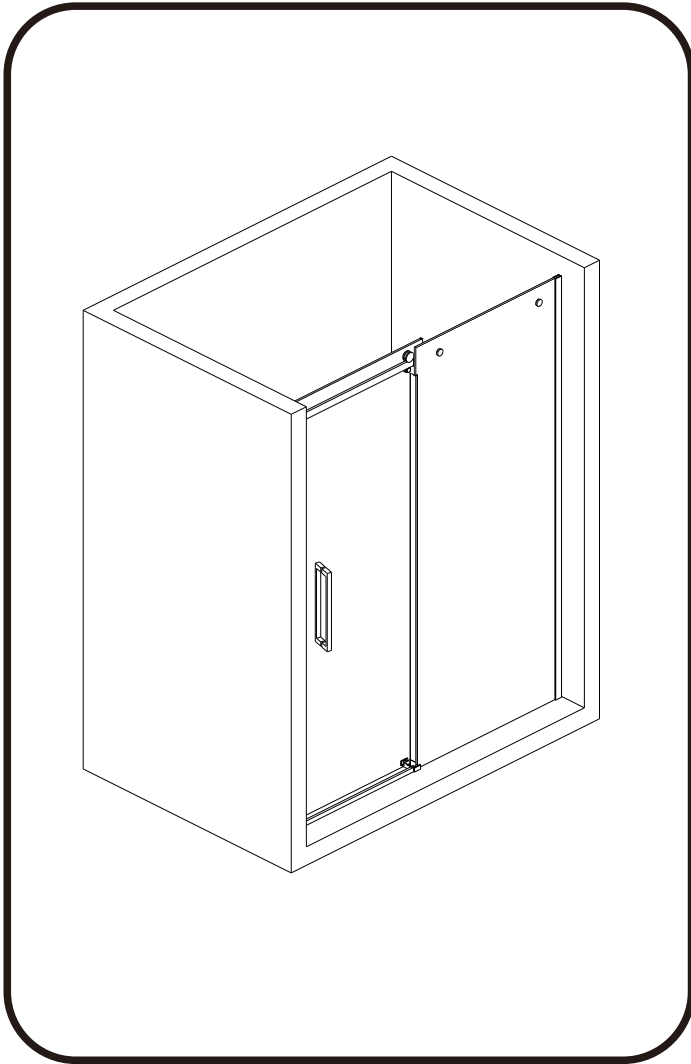


Model No:MIKOTOS

Sliding Door

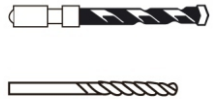
INSTALLATION INSTRUCTIONS



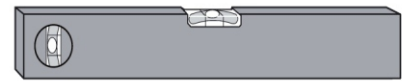
Tools Required



Drill



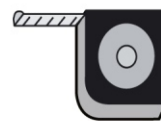
6mm Masonry Drill
3.2mm HSS Drill



Spirit level



Sealant Gun



Tape Measure



Pencil



**PH2 TYPE
Screwdriver**

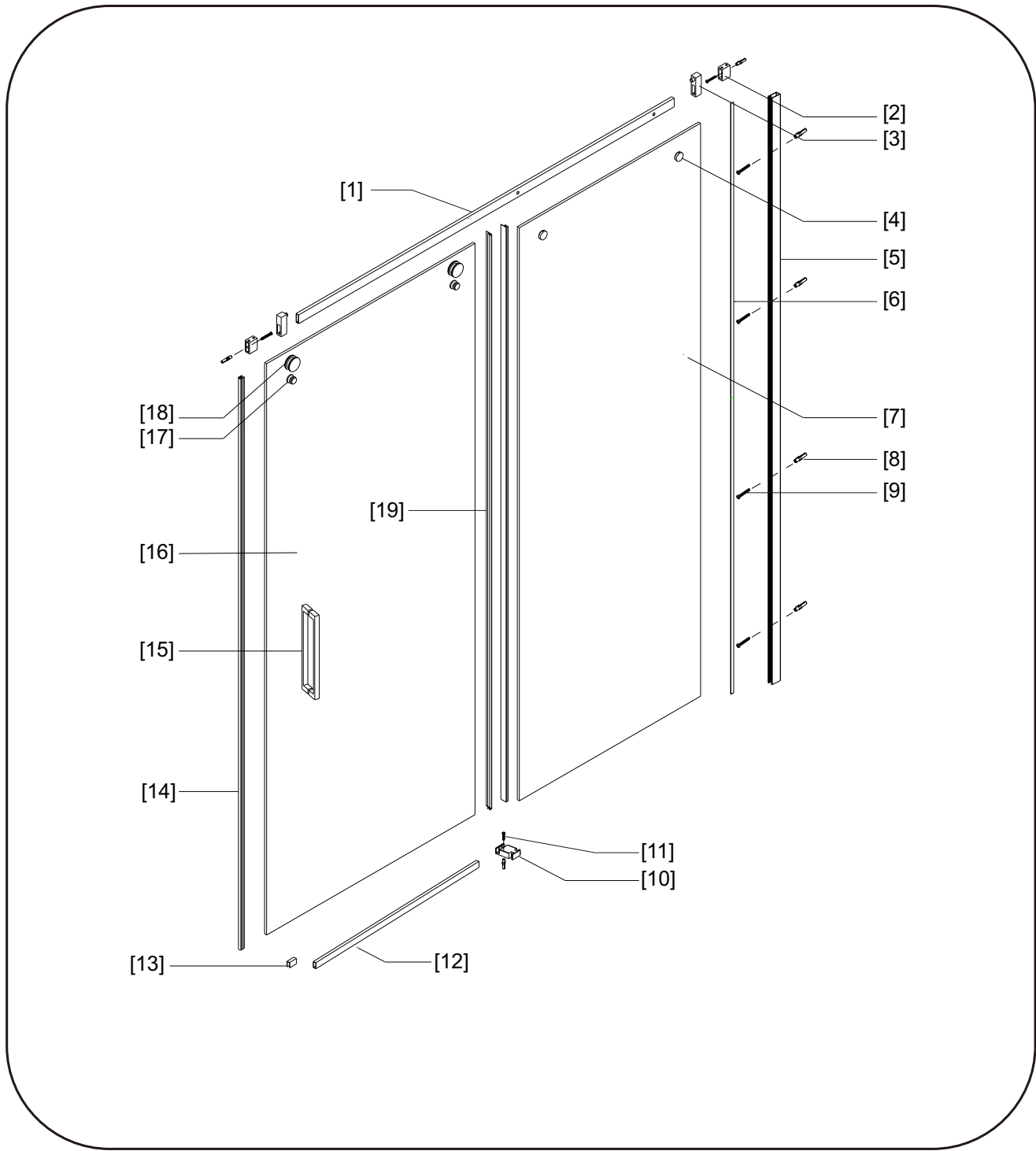
Please not hand tools NOT supplied.

IMPORTANT

These instructions assume that installation is done against solid/tiled walls.

The wall plugs supplied with the installation kit are for use on solid walls. Hollow or stud-partition walls will require alternative fixings. Please consult with a reputable trades person or hardware supplier for the correct type of fixing.

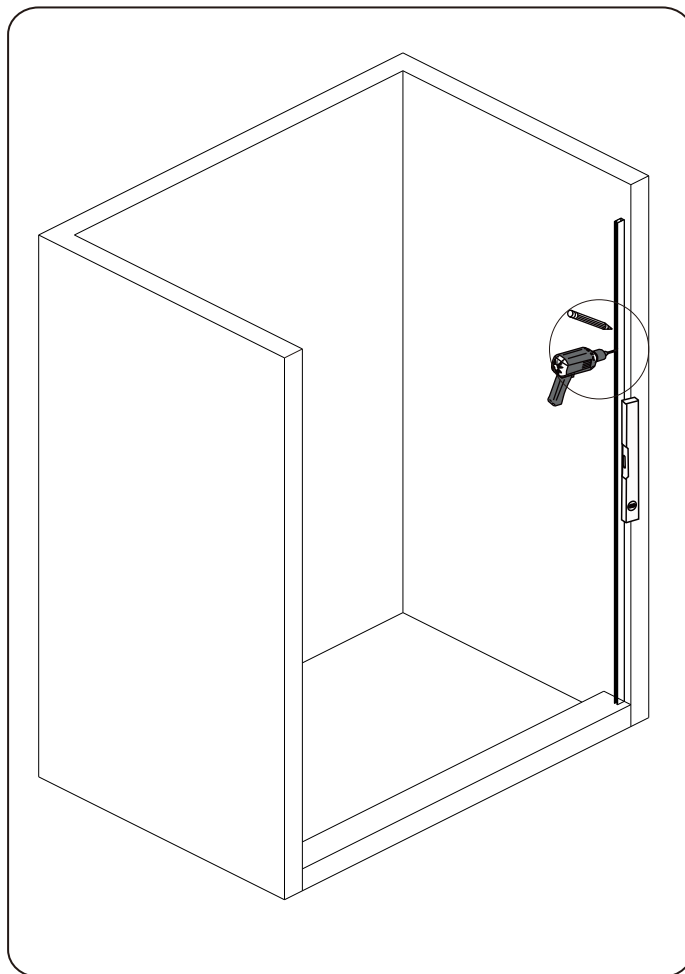
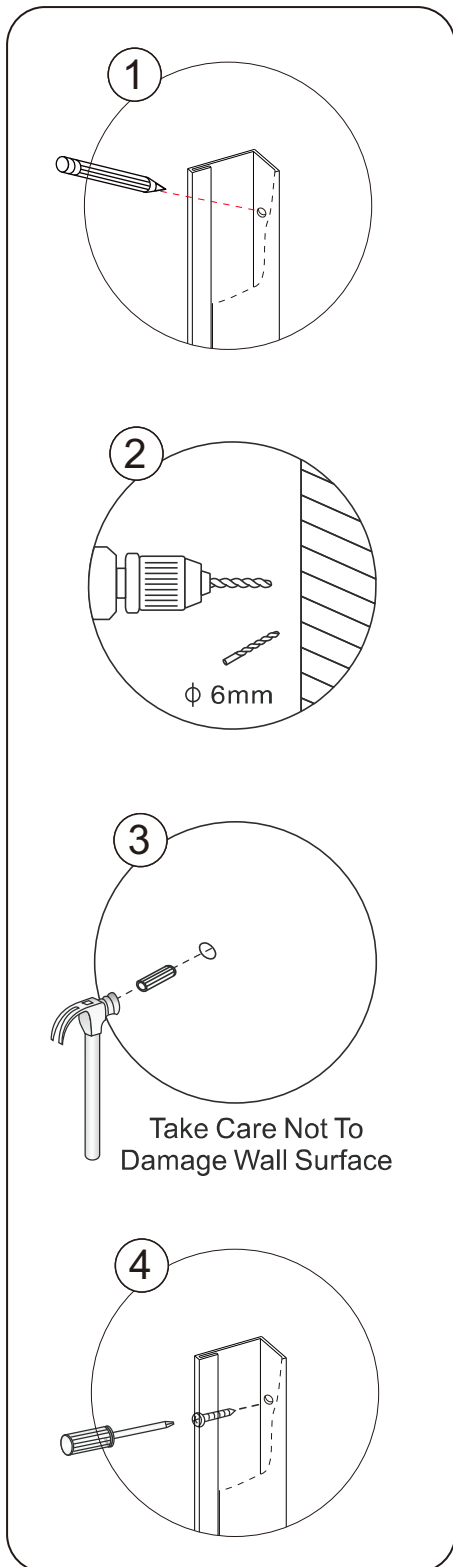
It may also be necessary to consult your tiling supplier about the correct method drilling your tiles.



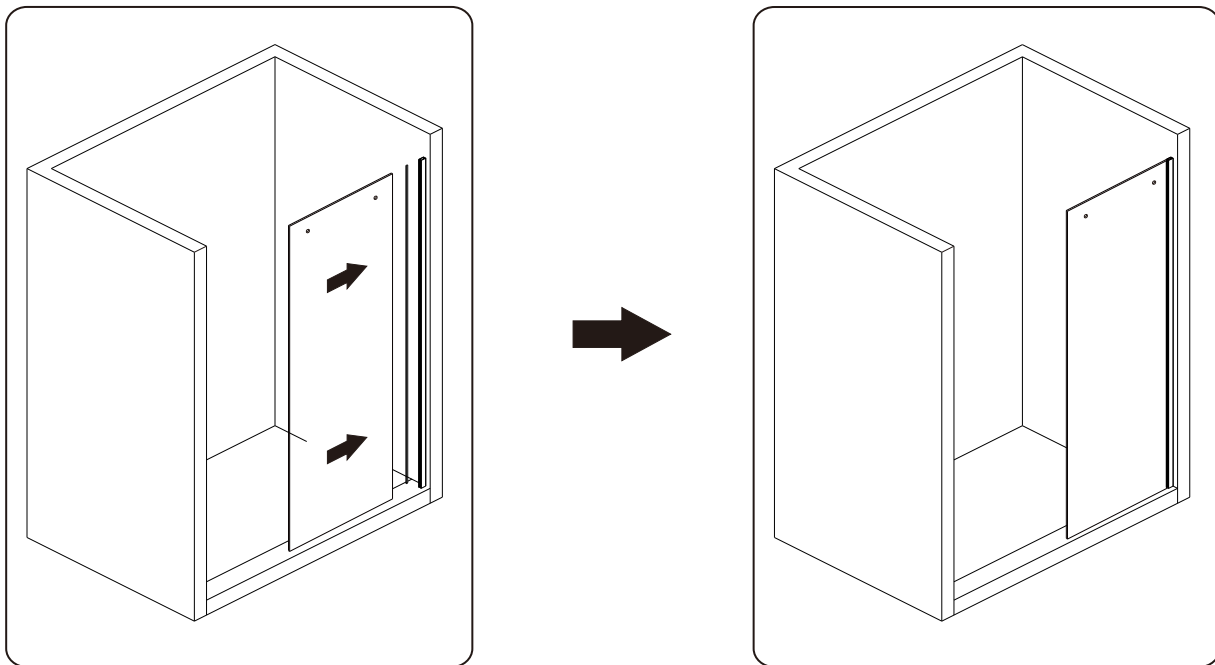
NO.	Description	Qty	NO.	Description	Qty
1	Square tube guide rail	1	11	4*30 Self tapping screw	1
2	Wall base	2	12	Blocking aluminum	1
3	Anti-collision component	2	13	Decorative coverB	2
4	fixed block	2	14	Bubble rubber strip	1
5	Wall profile	1	15	Handle	1
6	Single sided adhesive strip	1	16	Moving Glass	1
7	Fixed glass	1	17	Anti jump component	2
8	Expansion sleeve	5	18	Roller	2
9	4*30 Self tapping screw	4	19	waterproof strip	2
10	Bottom slider	1			

Installation Steps

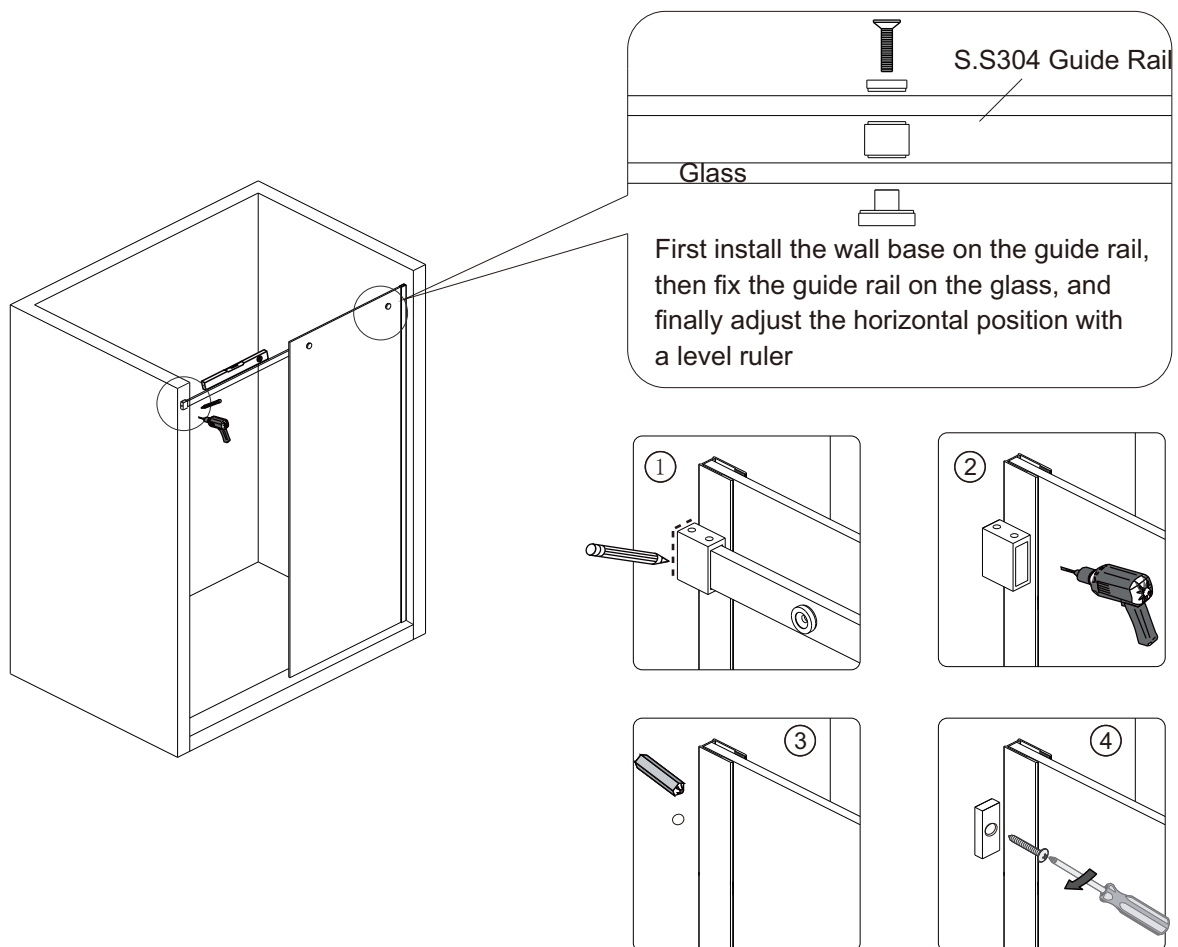
Step 1



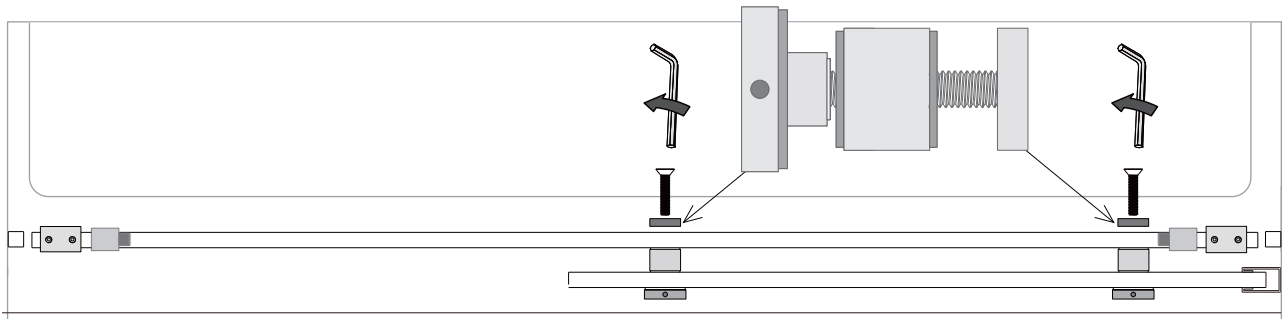
Step 2



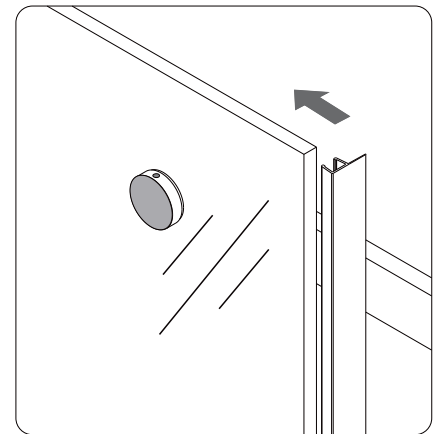
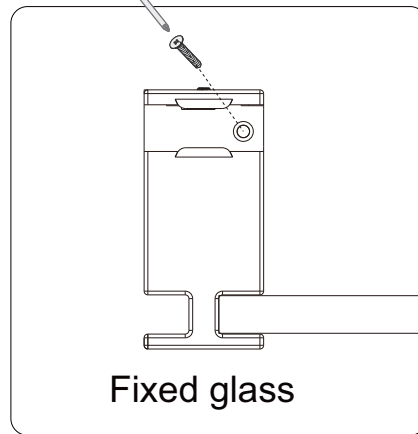
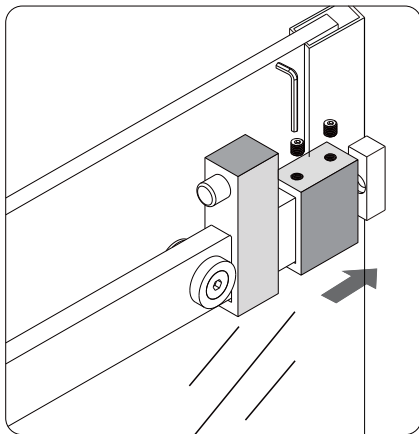
Step 3



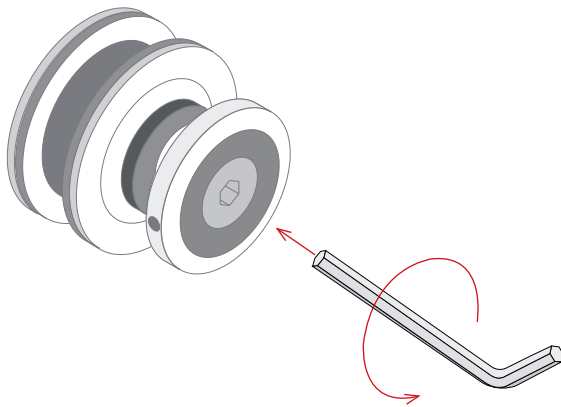
Step 4



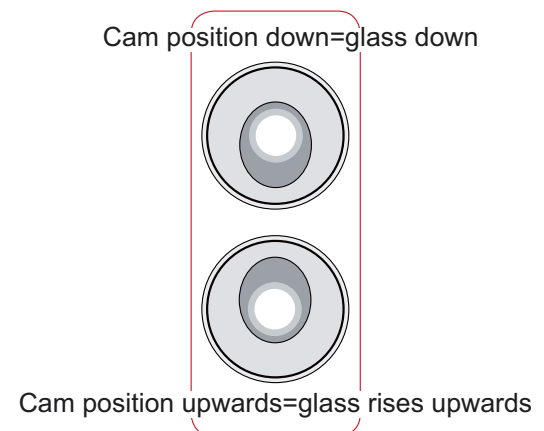
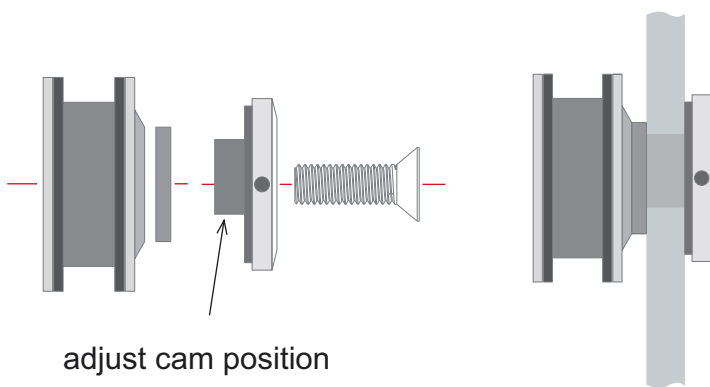
Install the anti-collision block onto the guide rail first,
and then lock the guide rail and wall base tightly



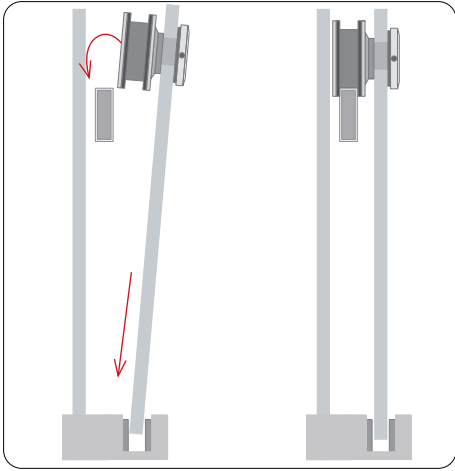
Step 5



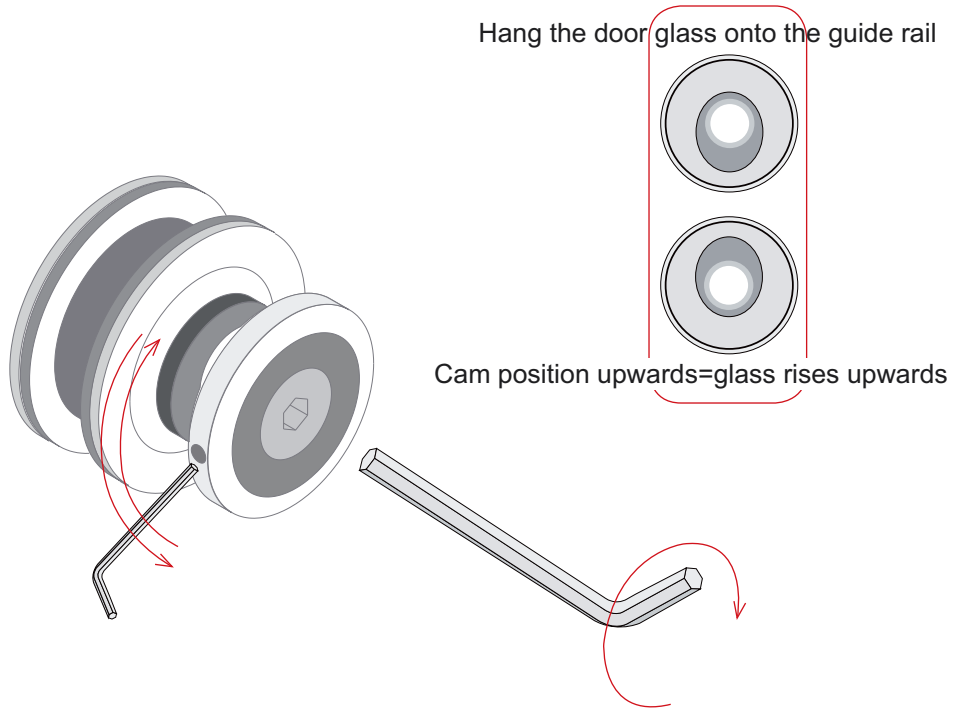
Disassemble the pulley and
install it on the glass



Step 6

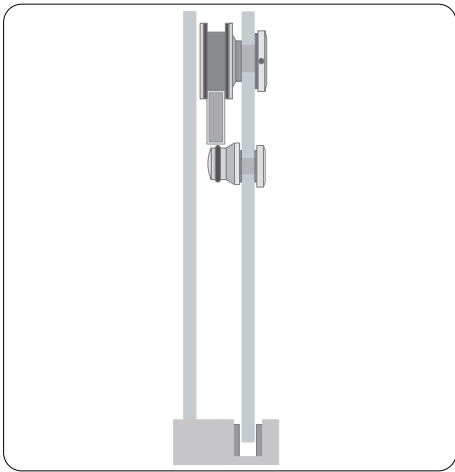


Hang the door glass on the guide rail.

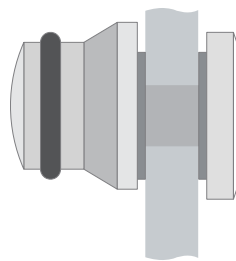
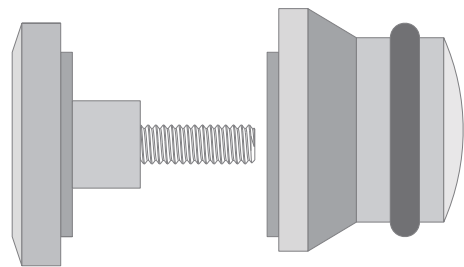


Hang the door glass onto the guide rail

Cam position upwards=glass rises upwards



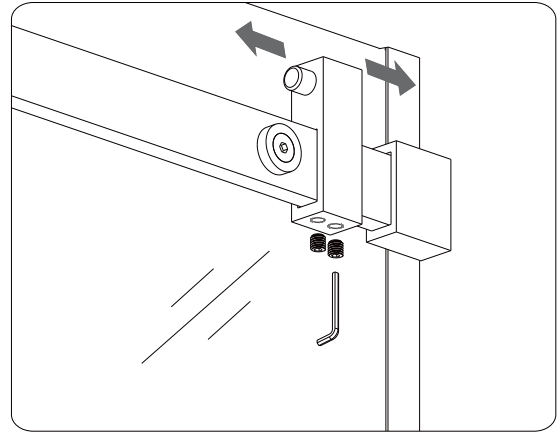
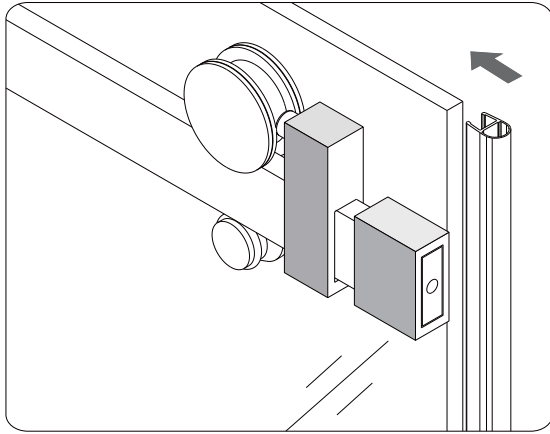
Install anti jump components



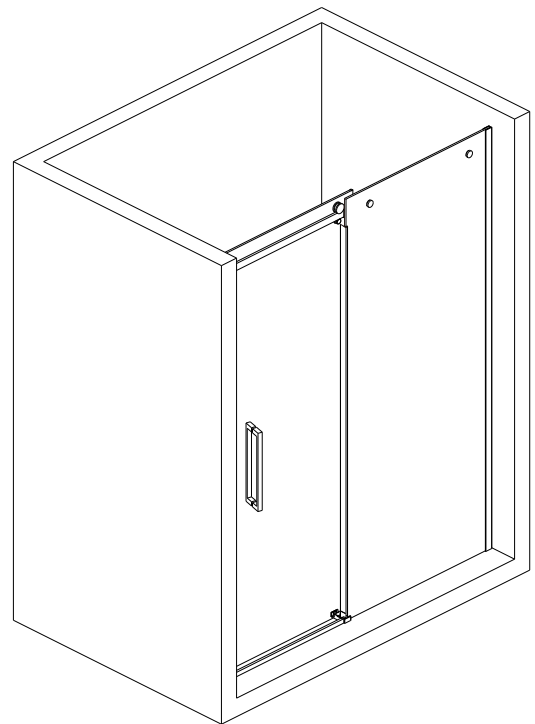
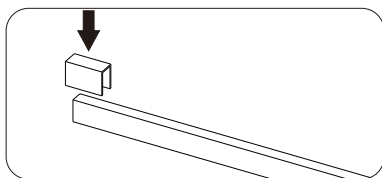
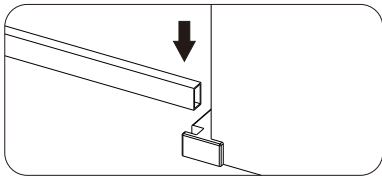
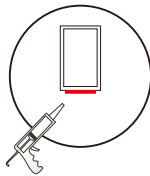
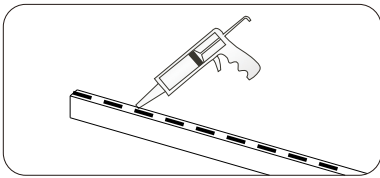
Cam lobe down =piece up

Cam lobe up =piece down

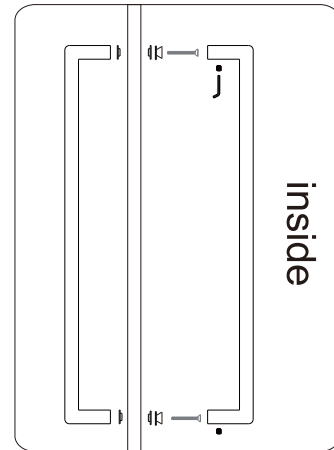
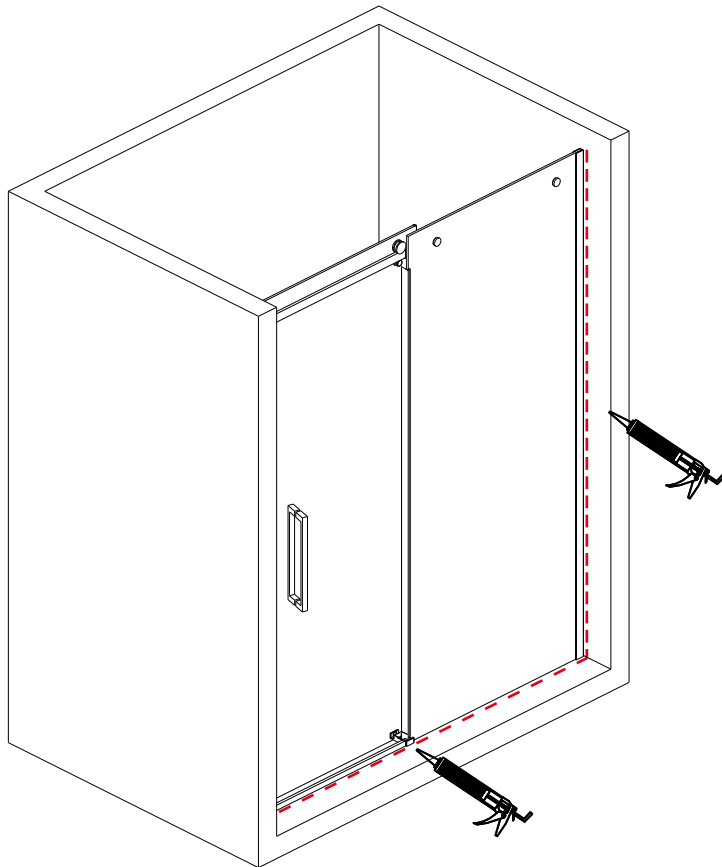
Step 7



Step 8



Step 9



Allow 24 hours for silicone to dry before use.

Silicone on the outside edge only