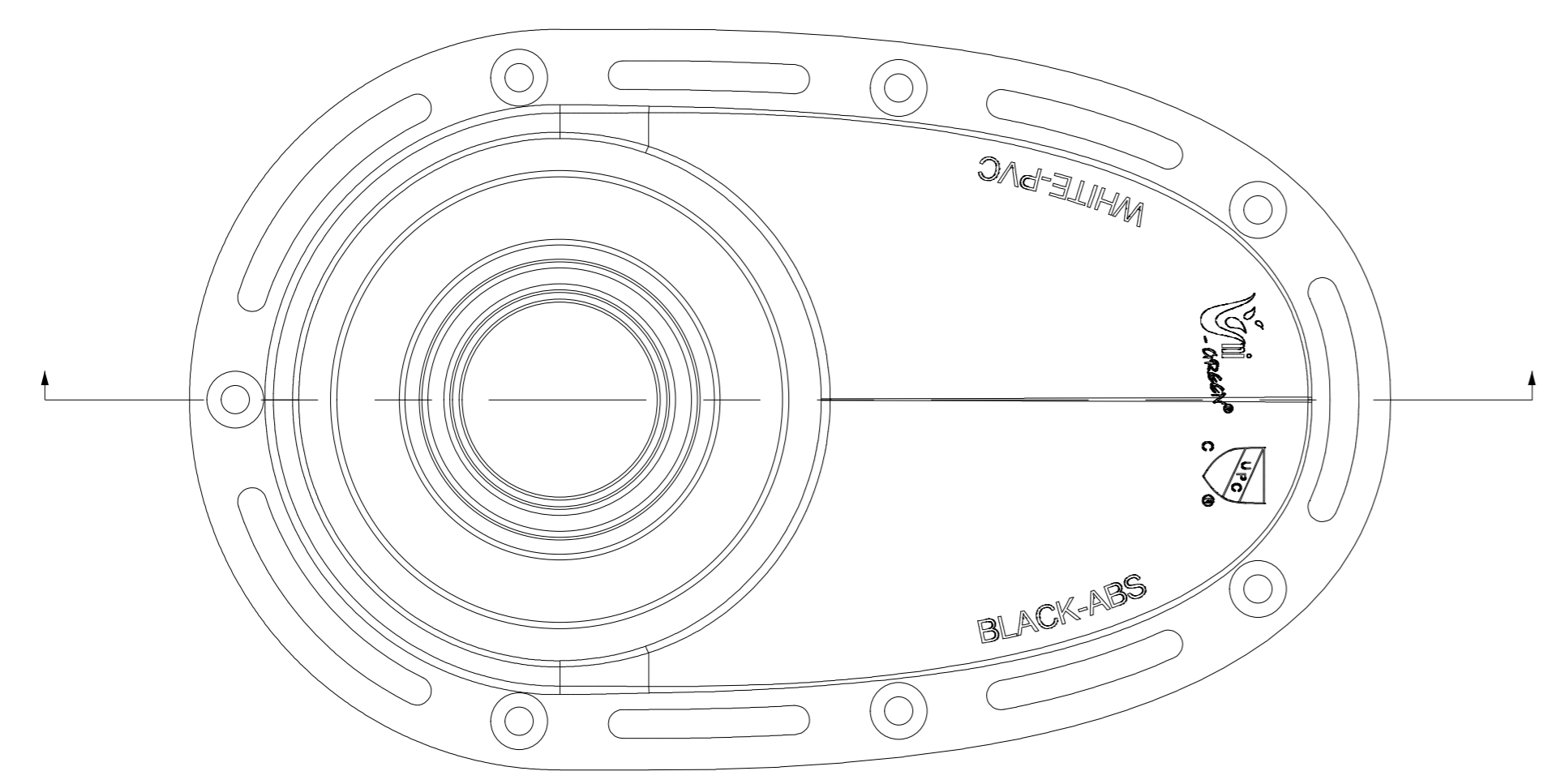
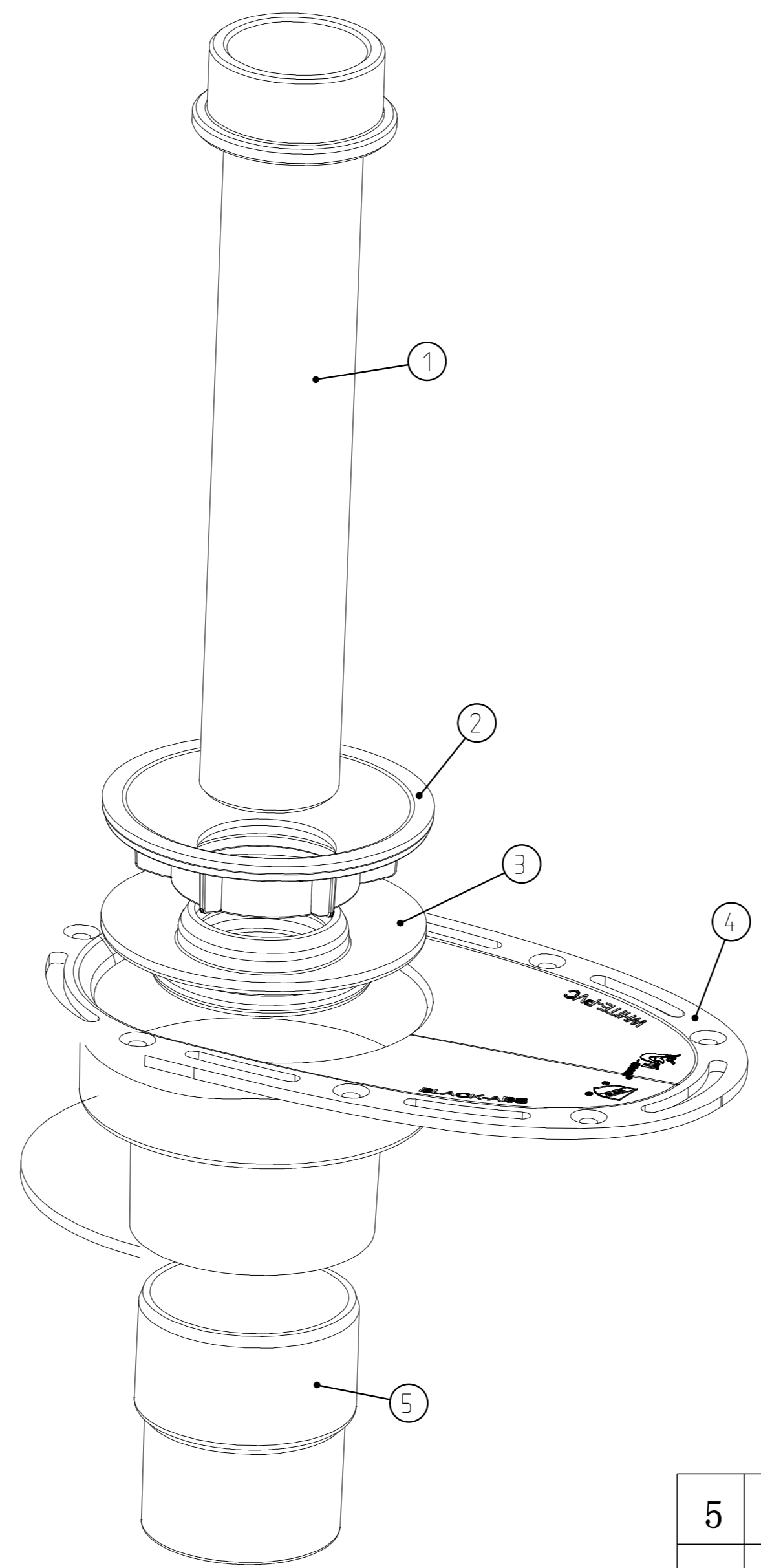
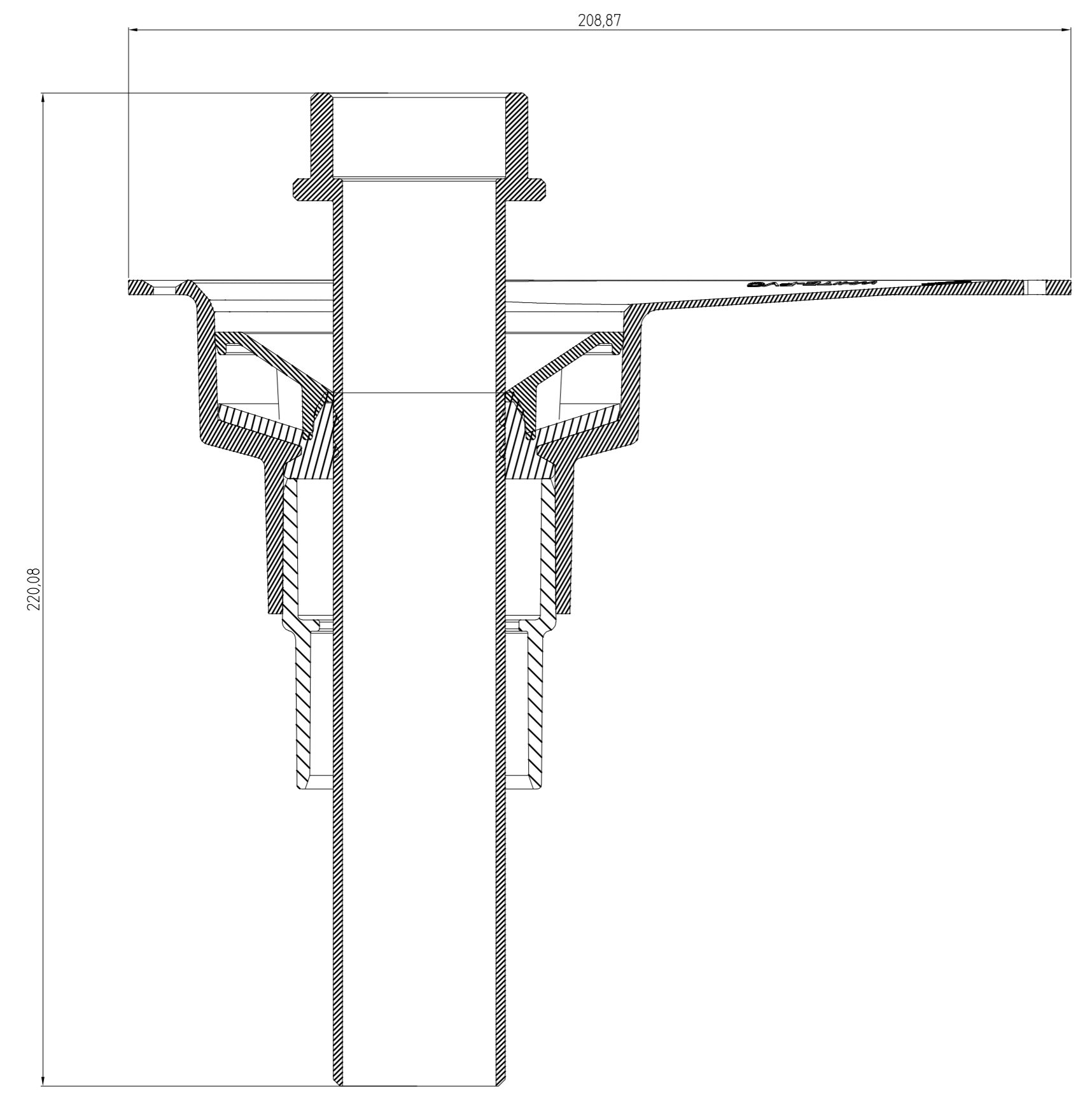


1 2 3 4 5 6 7 8

A  
B  
C  
D  
E  
F

A  
B  
C  
D  
E  
F




5							
4							
3							
2							
1							

NO.	Draw	P/N	P/N	Material	QTY	Weight (g)	Mark		
not note the tolerance ( $\pm$ in)					<b>Uni-Moulding Co., Ltd</b> <b>00</b>				
0.02 < X ≤ 0.2		±0.004						Important dimension	
0.2 < X ≤ 1.0		±0.008		Drawing			Design	Zhao Qiang	
1.0 < X ≤ 5.0		±0.015			P/N.			Audit	Zach Zhao
5.0 < X ≤ 15.0		±0.020		Weight		356.50	Scale	1:2	Check
Angle		±1°			Area.			Number	
Material									
Finish									

1 2 3 4 5 6 7 8 A3