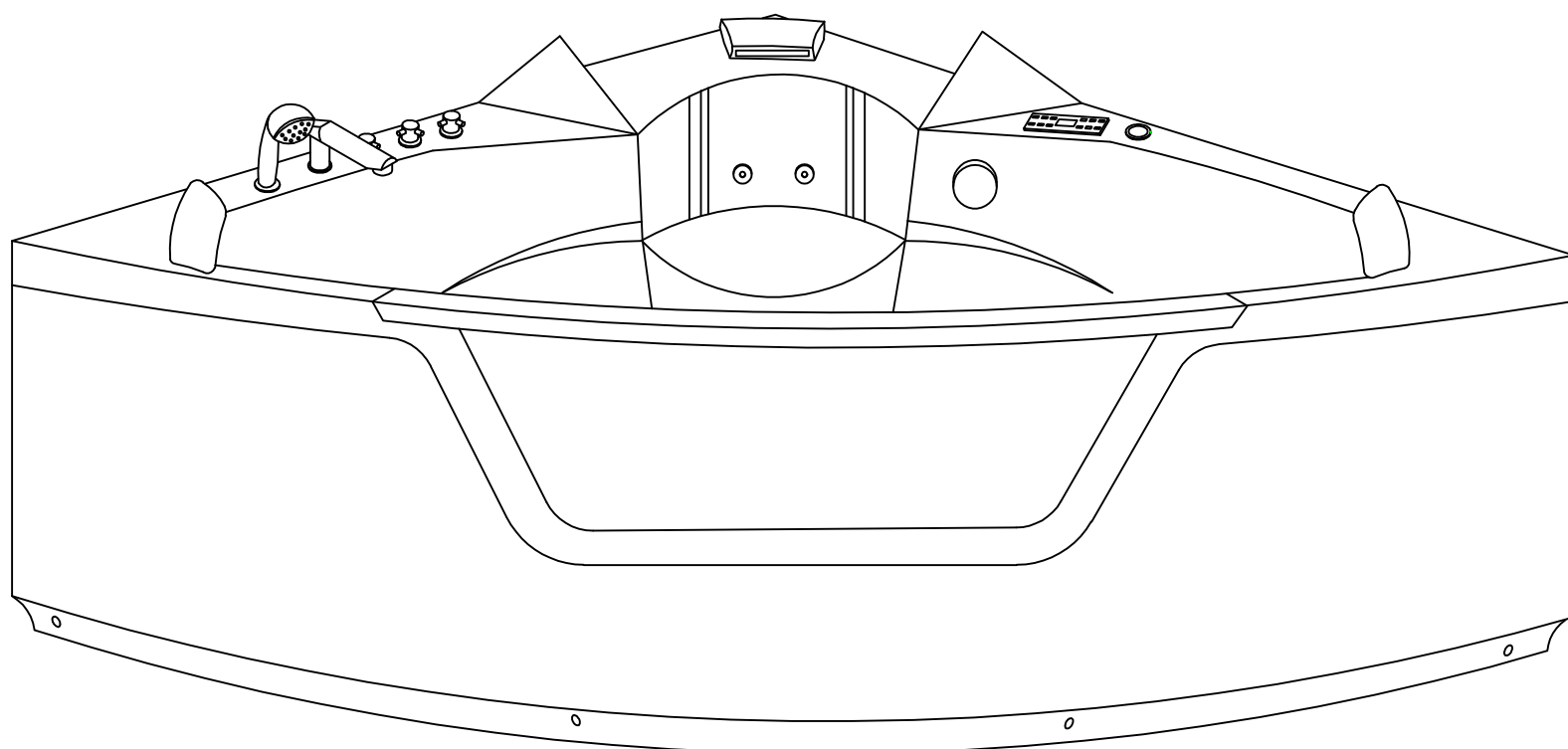


# Instruction Manual



**RL-6155**

**SIZE: 1570X1570X670**

# Preparations

Dear Customers:

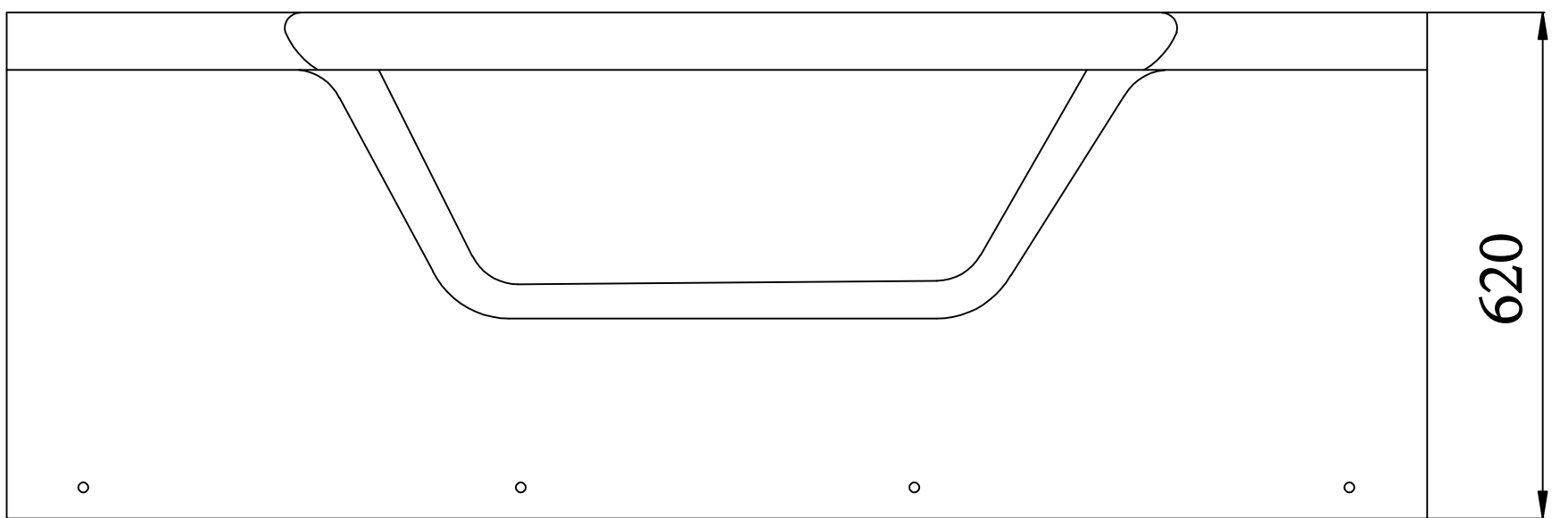
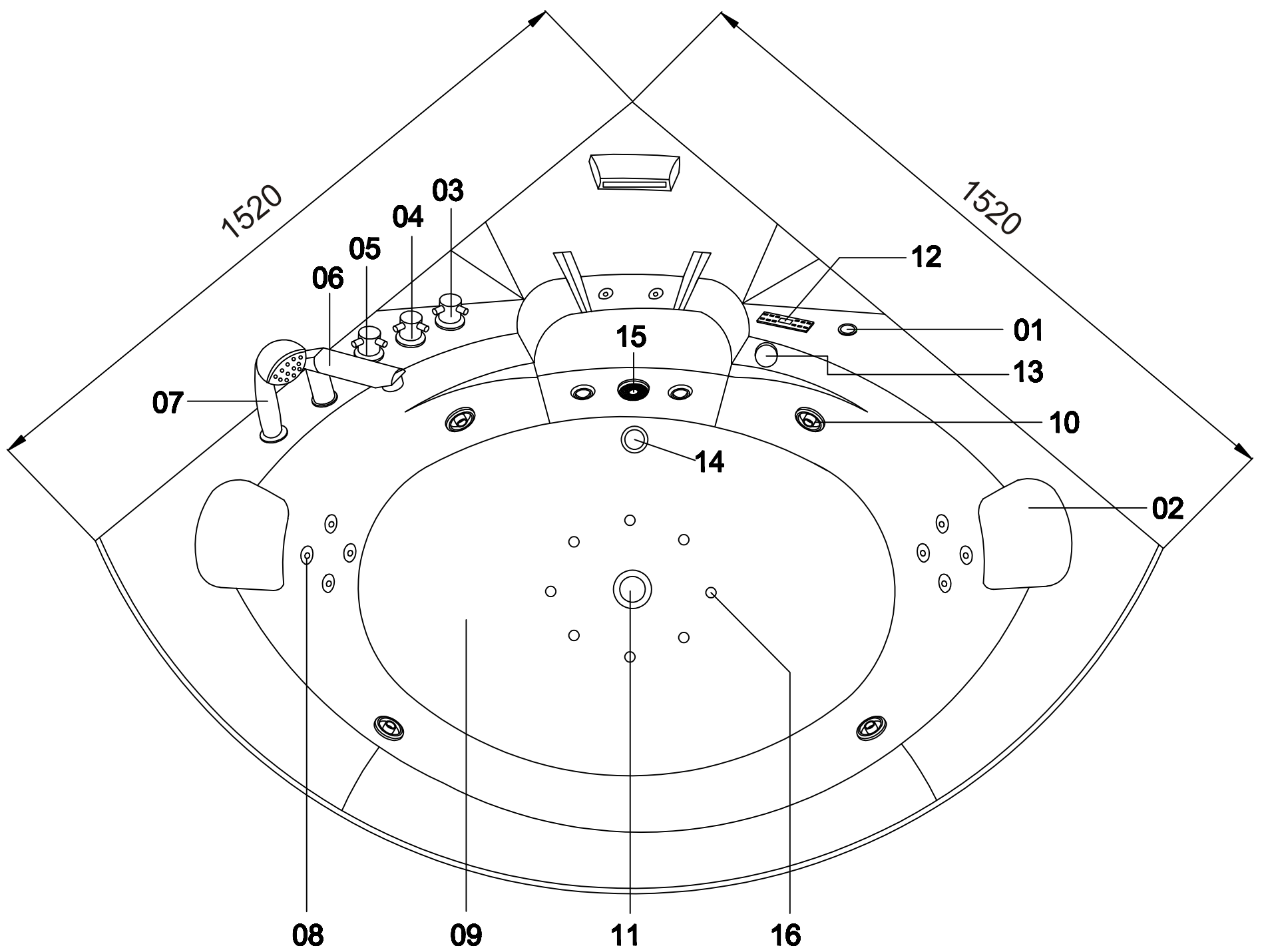
Thank you for purchasing our products. Prior to the installation and initial use of the bathtub, please read carefully the instructions that can be helpful when using this product.

We will not be liable for improper use of our products.

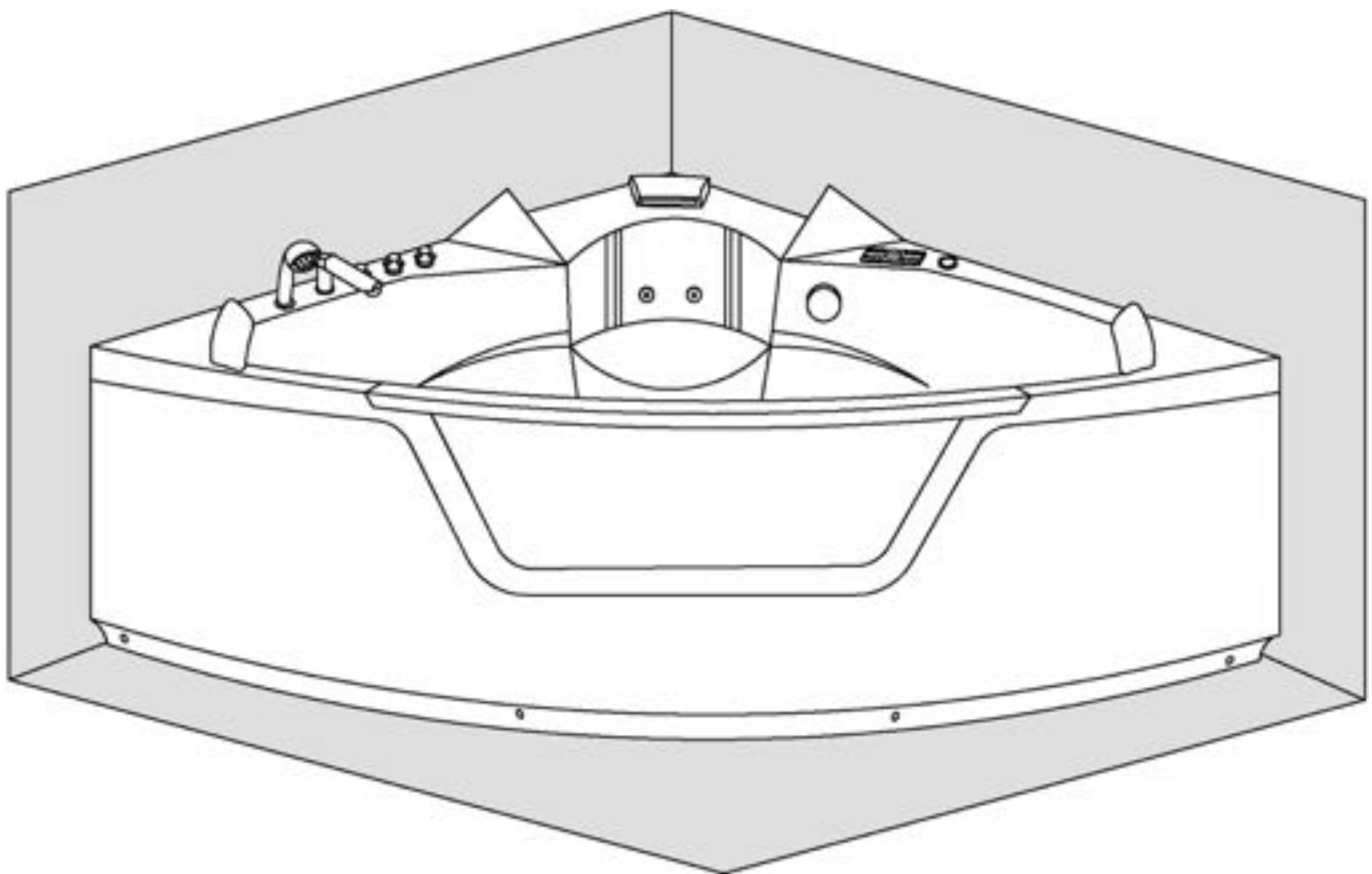
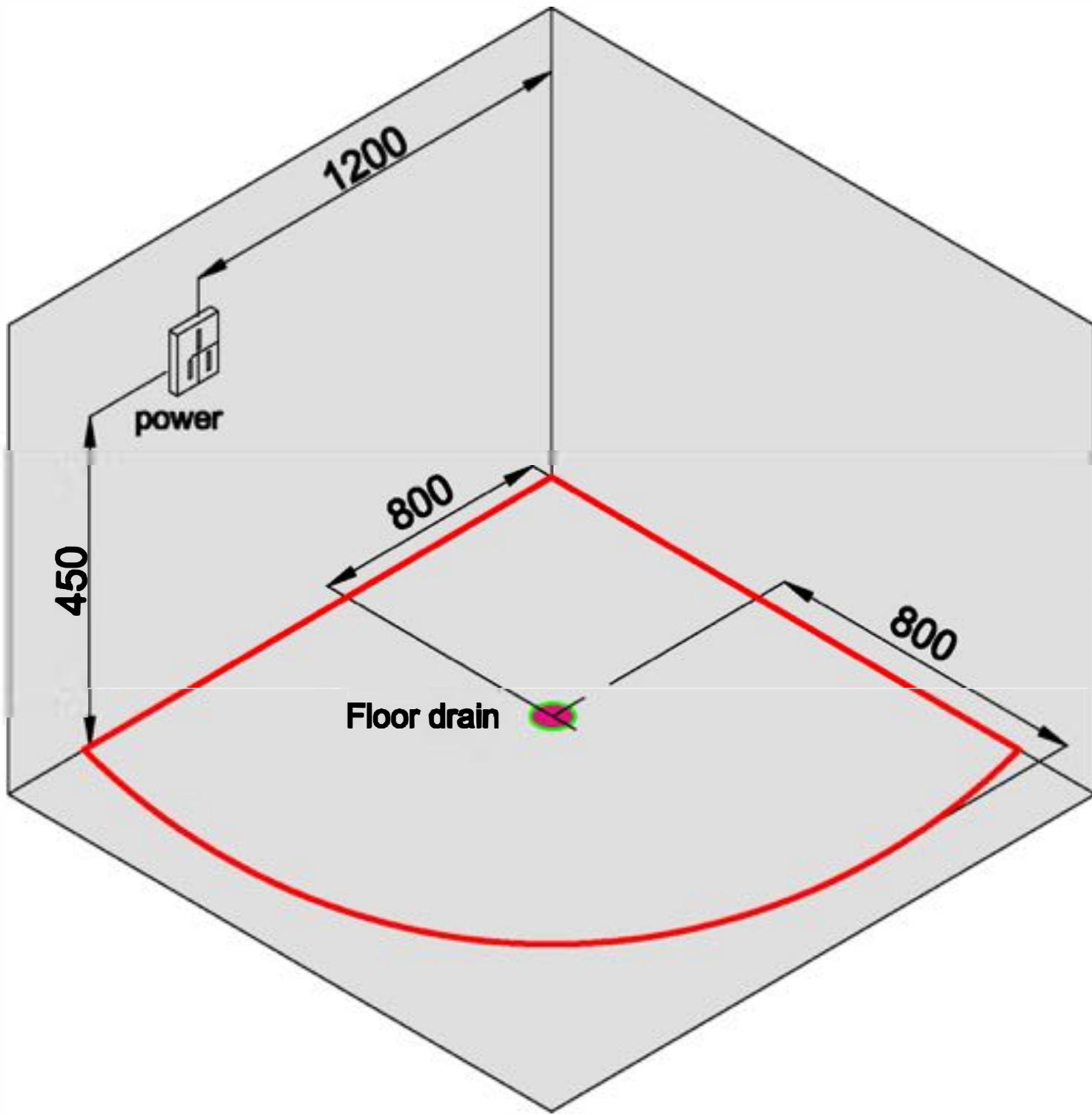
Our products are subject to constant development of our product, because there may be changes in design and use other components. If you have any questions, please contact us or distributors. We will help you much

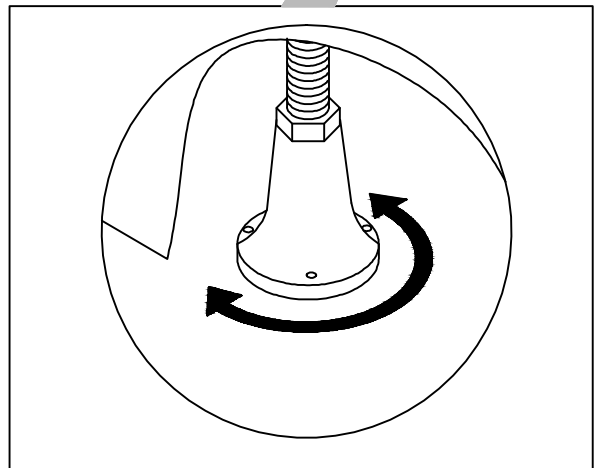
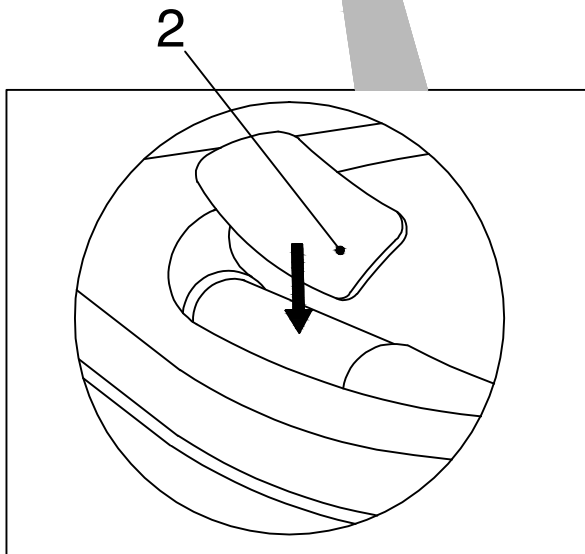
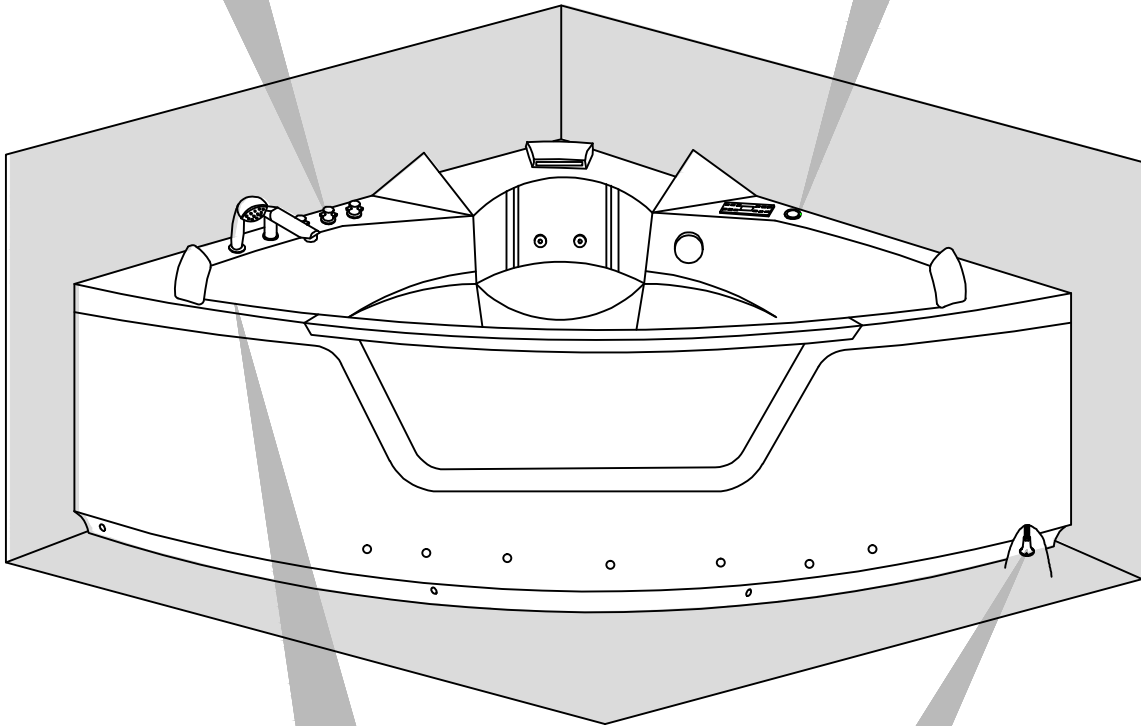
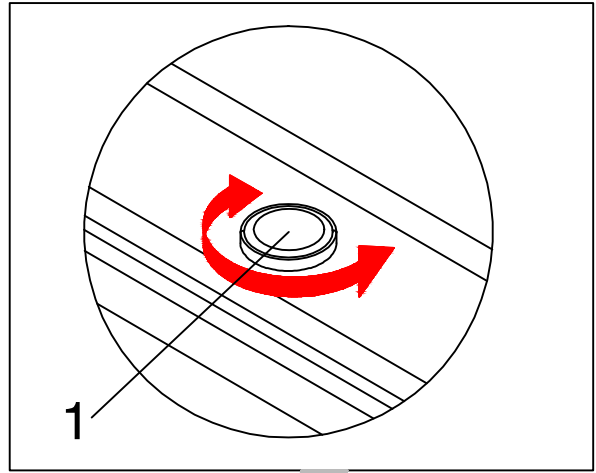
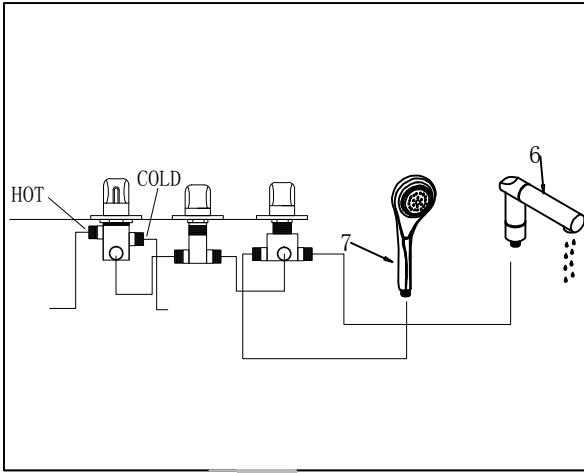
## **WARNING**

1. People who suffer from heart disease, hypertension and diabetes should not use a steam shower or hot bath. (It is suggested that children should be accompanied by an adult to take a bath)
2. Take a bath, not only after you drink alcohol or have taken excessive Sports.
3. The bathing water should be below 45 ° C during the recommended temperature is 30 ° C -38°
4. Don't take a bath for a long time. Recommended time: Suggested time: 15-21 minutes
5. We reserve the right to change information at any time.
6. Also settings, configurations and details of products are subject to change.
7. For maintenance, you should contact the engineers, appointed by the dealer. Fix yourself and do not break down, otherwise the supplier is not liable for damages that may occur.



No.	Description	Qte	No.	Description	Qte
01	Start switch	1pc	09	air jet	16pcs
02	pillow	2pcs	10	big water jets	4pcs
03	Divert knob	1pc	11	underwater light	3pcs
04	cold water volume	1pc	12	computer panel	1pc
05	hot water volume	1pc	13	drain switch	1pc
06	waterfall faucet	2pcs	14	Floor drain	1pc
07	handshower	1pc	15	water circulation	1pc
08	small water jets	8pcs	16	air jet	8pcs





## **IMPORTANT NOTES:**

1. The installation must be performed by a technician qualifizeirten
2. The electronic parts should be well grounded, otherwise the manufacturer is not responsible for disruptions and damage.
3. The installer is responsible for ensuring that the hot tub with plenty of FI-hedging is installed correctly.
4. For the functions that could not be activated after the above instructions, please contact the authorized technician or the local dealer.
5. If you do not use the product for a long time, please disconnect the main power and turn off the water.
6. The hot tub is absolutely connect with an aqua-stop, this prevents leakage in case of rupture of a pressure hose, water.
7. It should be used only drinking water for bathing. Rain water or well water, destroy valves and piping are not good.

## **Cleaning & Maintenance**

1. During transit can loosen screws. Tighten all screws and check all connections before the pool building.
2. Removal with a soft cloth with mild detergent possible contamination from the surface, the metal parts (valves, etc), you can polish with a cloth.
3. The lime can be wiped clean with warm citric acid or vinegar with a soft cloth. Do not use acetone and / or ammonia-based cleaners.
4. Do not clean the tub and accessories with a hard or coarse material to prevent scratches.
5. Clean the tub and accessories come with gasoline to prevent damage.
6. It is not recommended to have water for a long time in the bath tub or use it for laundry washing. Allow the water to the bath off and disconnect the power supply.

7. Power should be strong enough and be grounded
8. To ensure your safety must be a professional engineer that the grounding line is well grounded and an RCCB fitted during installation.

**Important:**

Bathing should not go untreated into the environment!

Waste water (sewage) must to be connected to public sewer or an approved sewage treatment plant.

## 1.Features:

Using luxurious blue mini dynamic LCD, every function has matching English annotation in order to operate it more easier.

- (1)、 Automatic testing water level by microcomputer.
- (2)、 Surfing function .
- (3)、 Bubble bath massage function .
- (4)、 hypersensitized FM radio system: 20 channel memories , electronic volume adjustment 、 digital frequency modulation、 automatically scanning
- (5)、 Ozone sterilization function ( Configuration Options )
- (6)、 CD input function .
- (7)、 Underwater light .
- (8)、 Almighty remote controller
- (9)、 Touch Ttechnology function .
- (10)、 External thermostat function ( Configuration Options )

## 2.Specifications:

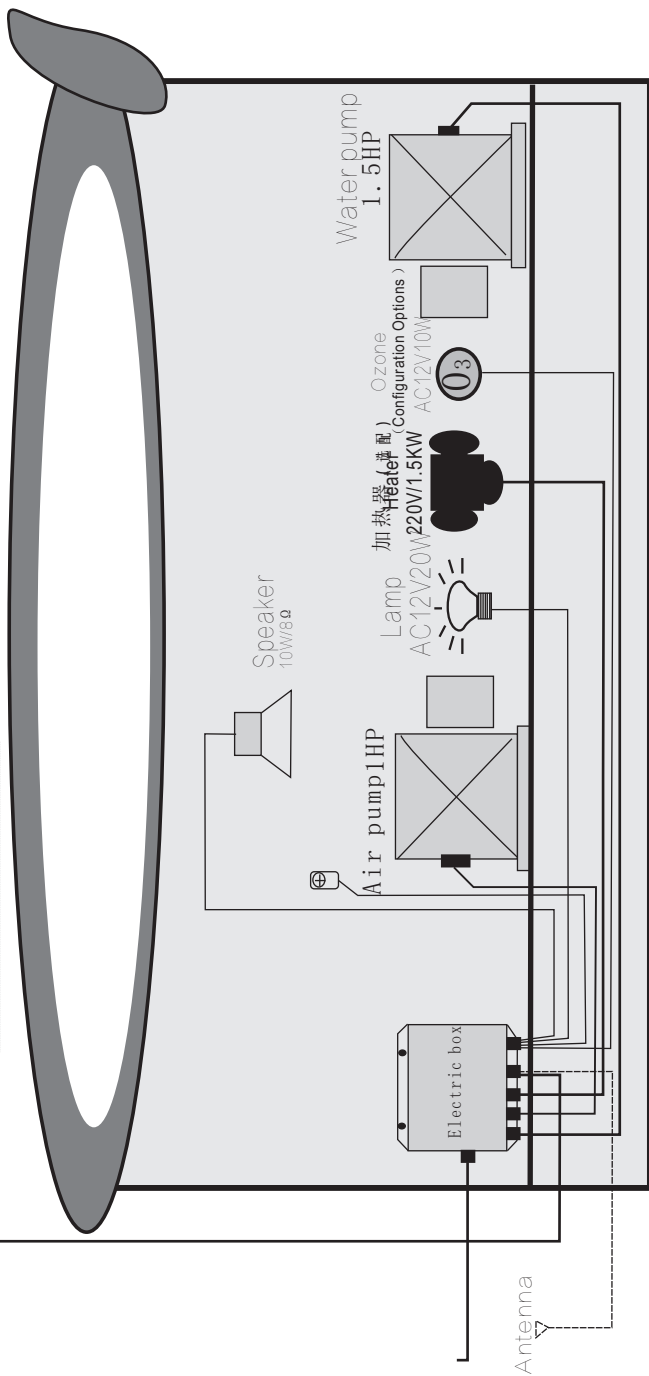
- (1)、 Power supply : AC220V $\pm$ 10% 50/60Hz
- (2)、 Pump load : AC220V  $\leq$  1500W
- (3)、 Bubble bath pump load : AC220V  $\leq$ 750W
- (4)、 Dielectric strength : 1500V 1min
- (5)、 Leak current : <0.25mA
- (6)、 Waterproof grade : IPX4
- (7)、 Ozone load : AC12V $\leq$  10W(Configuration Options )
- (8)、 Lighting load : AC12V 20W
- (9)、 Music power :  $\leq$  10 W
- (10)、 Frequency range : FM 88-108MHz
- (11)、 S/N radio : >45dB
- (12)、 Heater power : AC220V $\leq$  1500W(Configuration Options )



changed

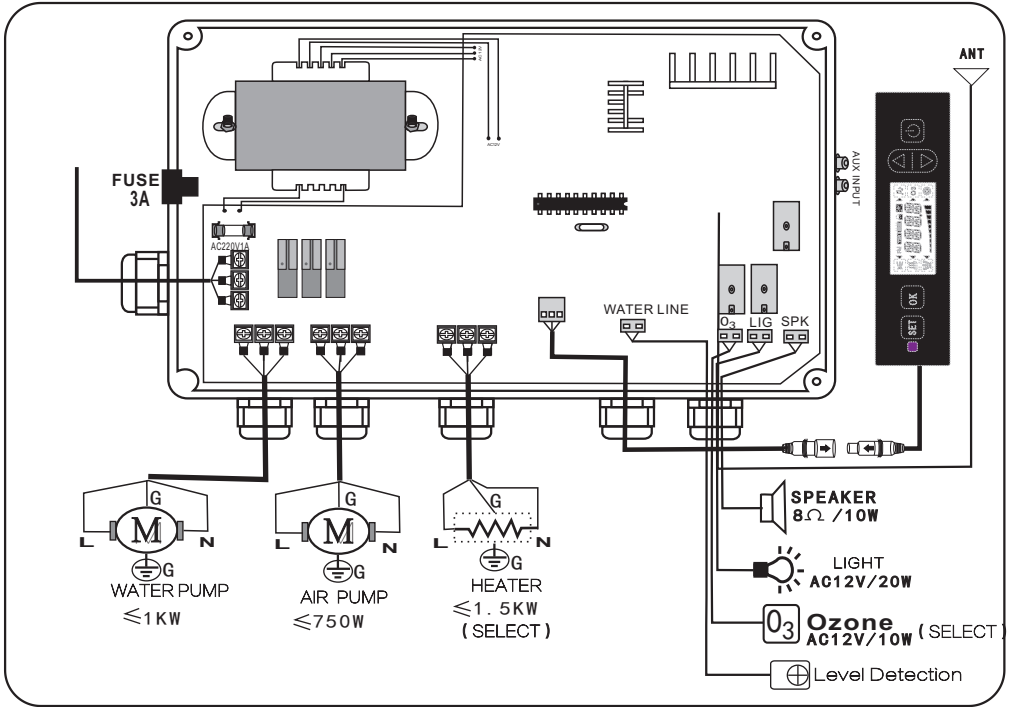
### 3. Install sketch:

Control panel

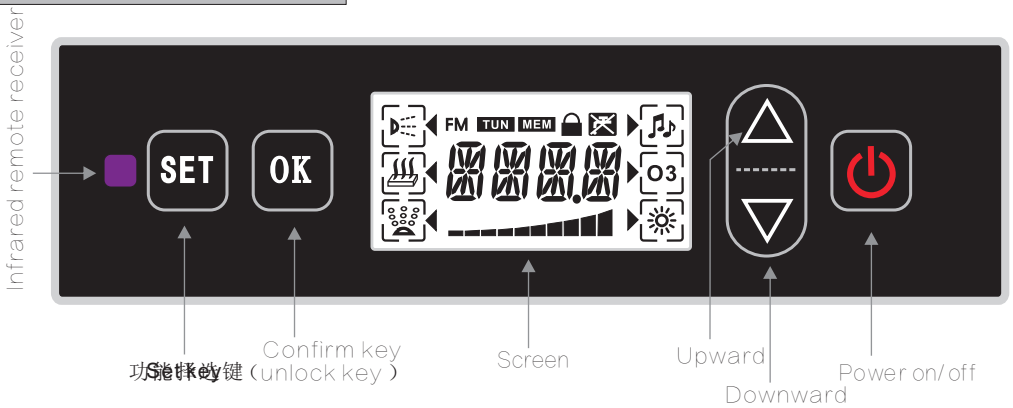


Antenna

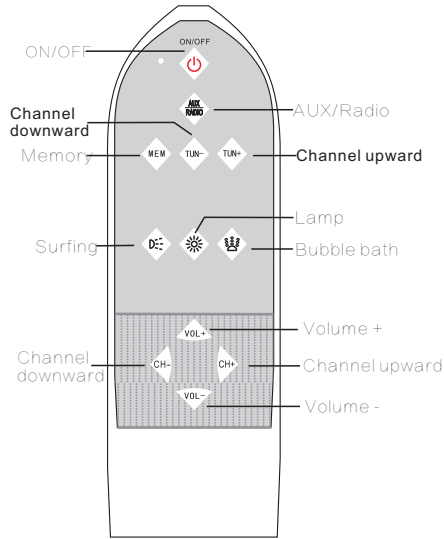
## 4. Circuit diagram:



## 5. Panel description:





## 6. Remote controller:



## 7. Operating instruction:

### 1. Surfing part :

(1) Power on/off : insert the plug , press  to switch on the power .The screen show ( SPA ) ,if there is heating function 's model ,it will show the temperature of water .You can perform setting and operation of various function according to the requirement of users .The system can be directly switch off by pressing  .



No heating and ozone function




Heating function's model :  
Long shows is the actual temperature  
The flicker is the preset temperature

### (2) Surfing function :

Press  " to select the pump icon ,as shown to the right :



Notice : The water pump is limited by water level ,it only be launched under the condition of water level .If short of water  the " " the water pump can not start .The pump will be turned off even if it worked 60 minutes .

### (3) heating function (Configuration Options) :

Press "SET" to select the heating icon, as shown to the right:



Notice : only under the surfing function on ,the heating function can be launched ,and control by the preset temperature .

Only under the radio/AUX function off ,the preset temperature can be by pressing (▲) or (▼) within 20°C--45°C(default 38°C). When the water temperature reach to the preset temperature ,it will turn into constant temperature .

### (4) Bubble bath function :

Press "SET" to select the bubble bath icon, as shown to the right :



Notice : It will be turned off automatically every 60minutes .

### (5) Lamp function :

Press "SET" to select the lamp icon, as shown to the right :



### (6) Ozone function :

Press "SET" to select the ozone icon, as shown to the right :



Notice : the work timing is 15 minutes .

## 2、Radio function :

Press "SET" to select the radio icon, as shown to the right :






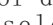

## 3、AUX:


In the state of radio press "SET" to select the AUX icon, as shown to the right :



#### 4、Radio function:

(1) **Pull out the radio antenna and place in "Y" form** When turn on radio function the screen will appear radio frequency and the volume will rise from -0 with slight sound for loudspeaker.



(2) Searching channel : "MEM" will flicker when you press (  ) press ( seconds , then pressing (  ) again turn to tuned state , " the same time . You can press (  ) or (  ) for upward or downward to select broadcasting station . Short  pressing is for manual selection . Long press (more than 3 seconds) the frequency will move upward or downward automatically until the broadcasting station is received .

(3) Memory : After selecting the broadcasting station press (  ) to display "M--01" and store to this number . Then when store to next broadcasting station next time , the store number will increase by degrees automatically. The number is between M--01 to M--20 .

(4) Automatic selection: Long press (  ) more than 3 seconds , the screen will display "TUN" , at the same time the frequency will move upward or downward automatically and the effective channels will be saved , until finish the searching or the memory is full .

(5) Pick up the memory : long press (  ) more than 2 seconds , when it display "MEM" , you can press (  ) or (  ) for selection of desired station . the screen will display the number "CH 01 - CH 20" you can hear the sounds .

5、 Volume adjustment: The volume can be adjusted by press (  ) or (  ) , and the screen will display volume DB number accordingly .

6、 Automatic keyboard locking: If no action on the keyboard for 2 minutes , the screen will shows lock and (  ) icon which means the keyboard is locked automatically , and press (  ) can be unlocked .

## 8. Fault elimination :

Fault	Fault cause	solution
Power-fail	<ol style="list-style-type: none"> <li>1、 The Leakage switch has not been electrified</li> <li>2、 The control line between controller and electric box has not been connected properly</li> </ol>	<ol style="list-style-type: none"> <li>1、 Check if leakage switch indicating lamp has been extinguished. If yes, reconnect the power supply .</li> <li>2、 Rreconnect the computer line properly.</li> </ol>
Underwater light cannot be activated	<ol style="list-style-type: none"> <li>1、 The wiring for underwater lamp is loosen ;</li> <li>2、 The bulb is damaged.</li> </ol>	<ol style="list-style-type: none"> <li>1、 Rreconnect the wire properly .</li> <li>2、 Replace with new bulb .</li> </ol>
Poor radio result	<ol style="list-style-type: none"> <li>1、 The antenna has not pulled out ;</li> <li>2、 The radio-frequency has not been adjusted properly;</li> <li>3、 The user is in weak signal area .</li> </ol>	<ol style="list-style-type: none"> <li>1、 pull out the antenna and place properly ;</li> <li>2、 Readjust radio-frequency properly ;</li> <li>3、 It is influenced by geographical position.</li> </ol>
No sound from loud speaker	<ol style="list-style-type: none"> <li>1、 The volume is adjusted too low ;</li> <li>2、 The adapter of loudspeaker has been loosen ;</li> <li>3、 The loudspeaker is damaged .</li> </ol>	<ol style="list-style-type: none"> <li>1、 Increase the volume ;</li> <li>2、 Rreconnect the wire properly ;</li> <li>3、 Replace the loudspeaker .</li> </ol>
Failure of remote control	The remote control has low Battery.	Replace the battery

## 9. Items For Attention :

- 1、 The system must be erected by qualified technical person and the leakage switch shall be mounted in place of easy control .
- 2、 It must be connected firmly during erection .In the case of loss due to improper earthling , the manufacturer will not assume any responsibility .
- 3、 The motor must be erected flatly and stably and the shell shall be firmly earthed .
- 4、 The whole set is usually under standby state. If it is not used for long time, please pull off the master power switch.
- 5、 During erection, it is required to consider load capacity of power supply circuit, otherwise it may influence the normal working of the system or cause accident.
- 6、 During erection, all the electric appliances and electric parts shall be provided with moisture resistant measures.