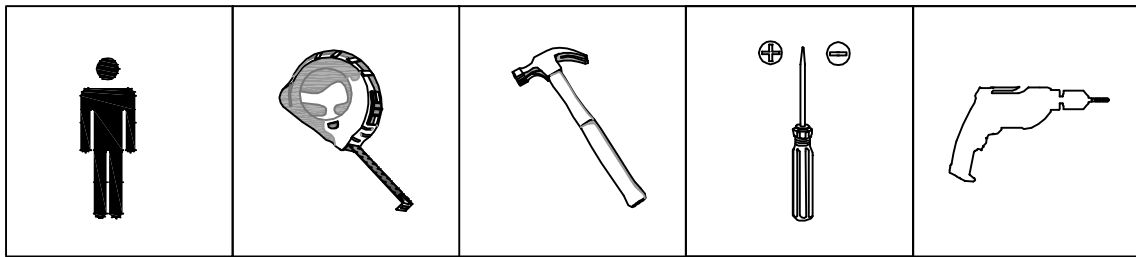
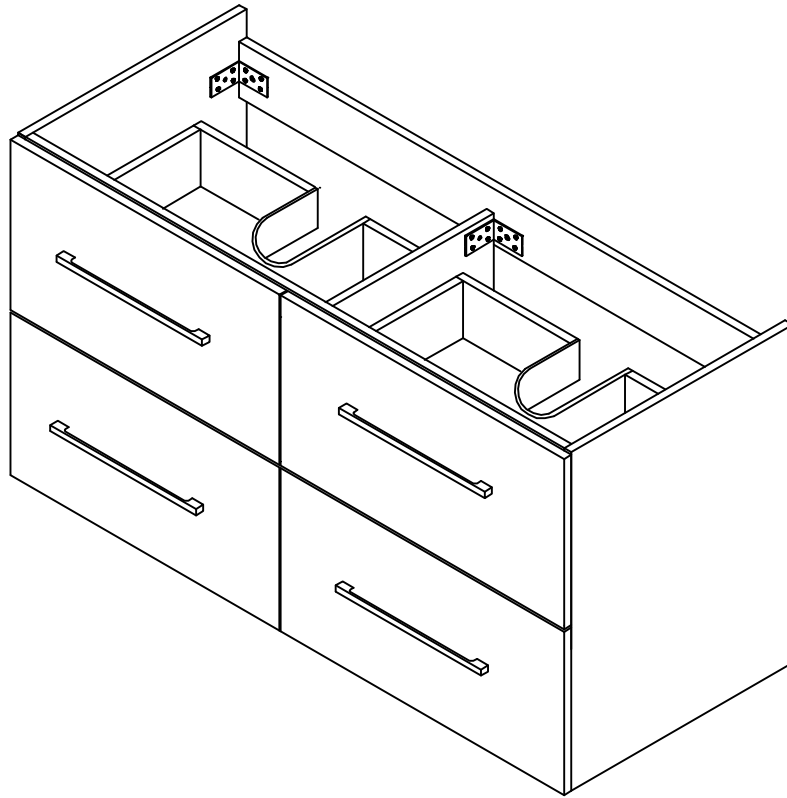












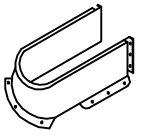


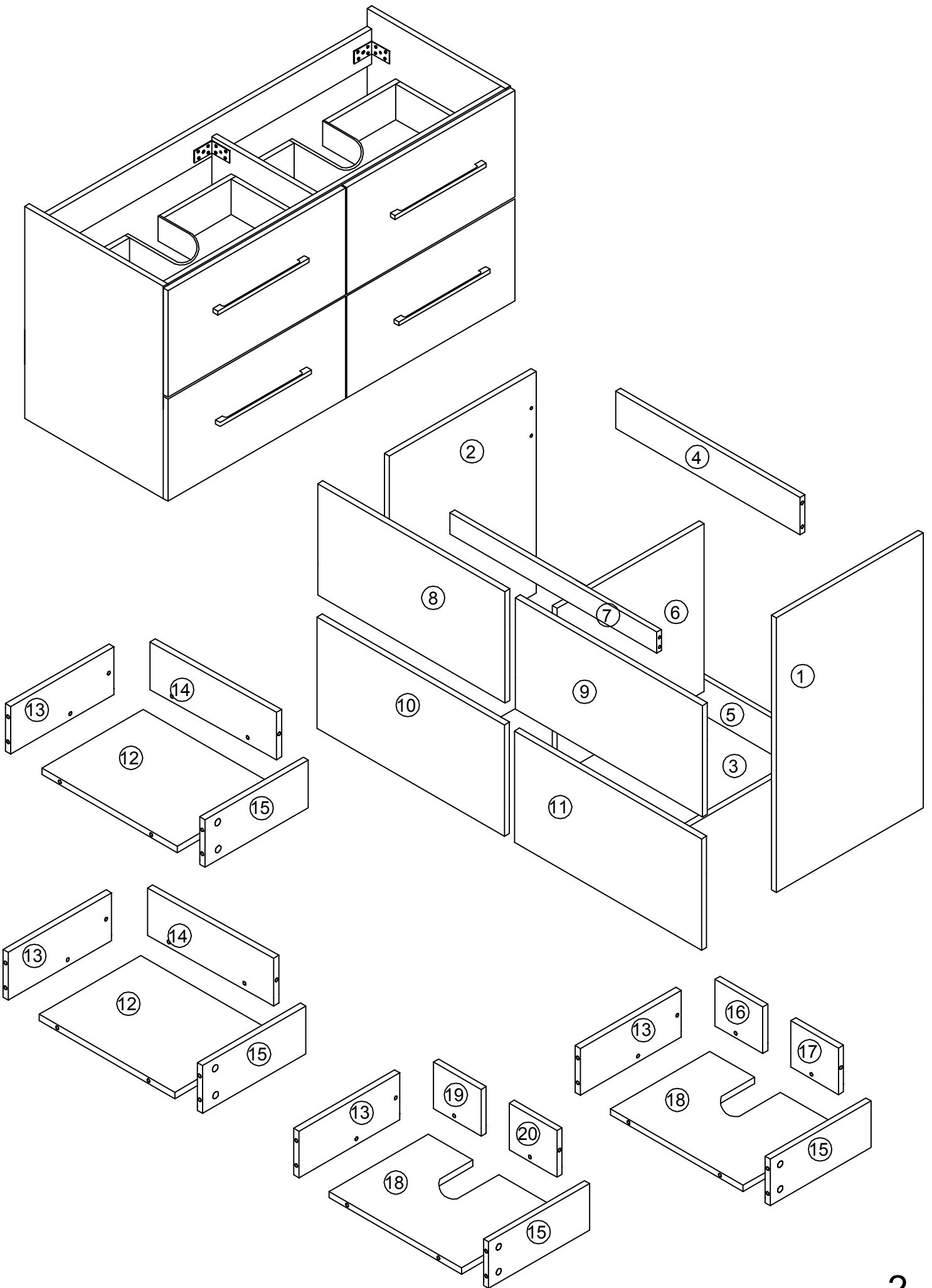
INSTRUCTION MANUAL

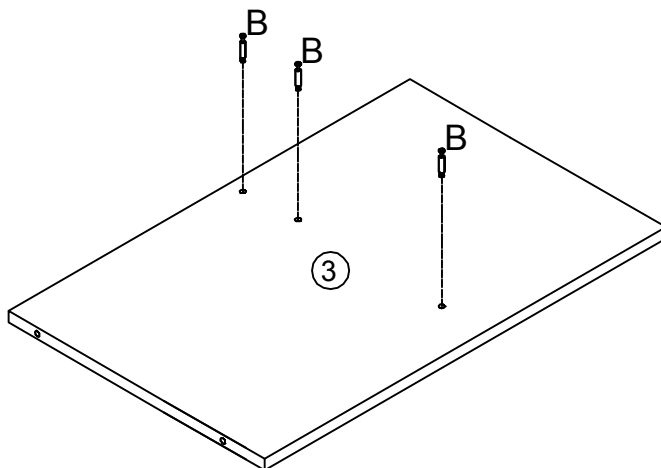
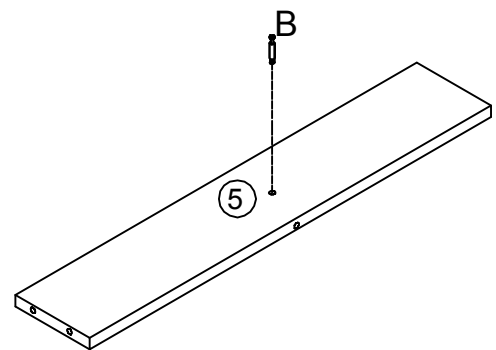
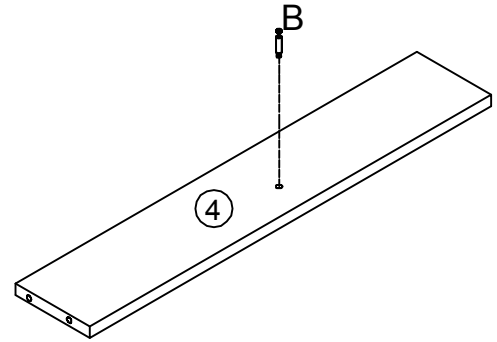
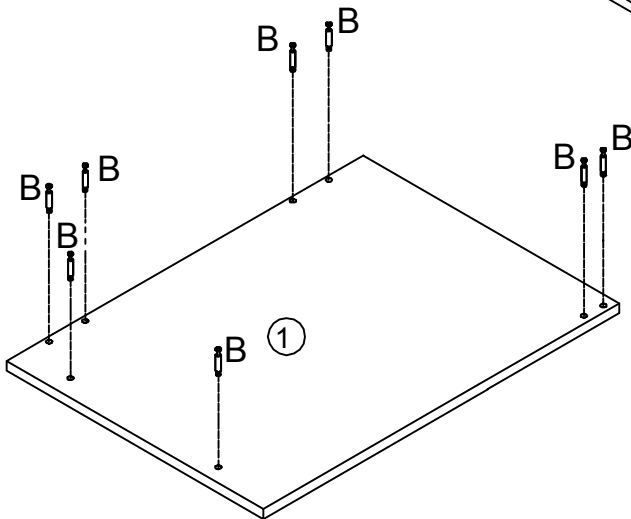
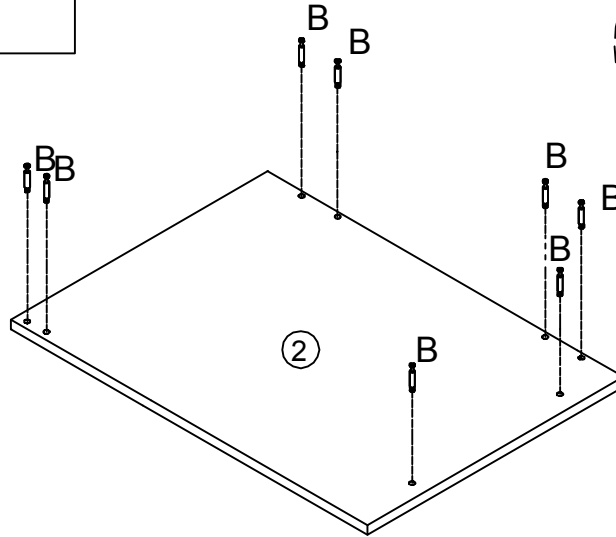
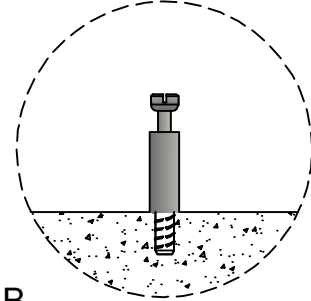
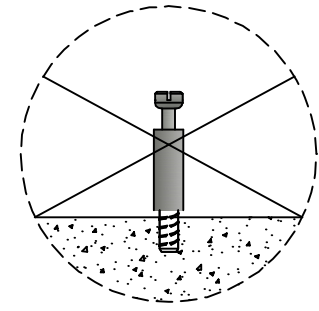
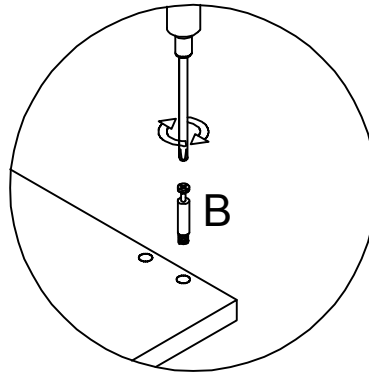
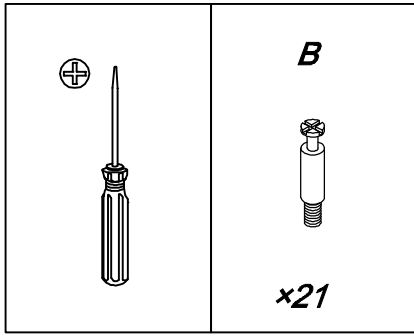
FLORENCE-60

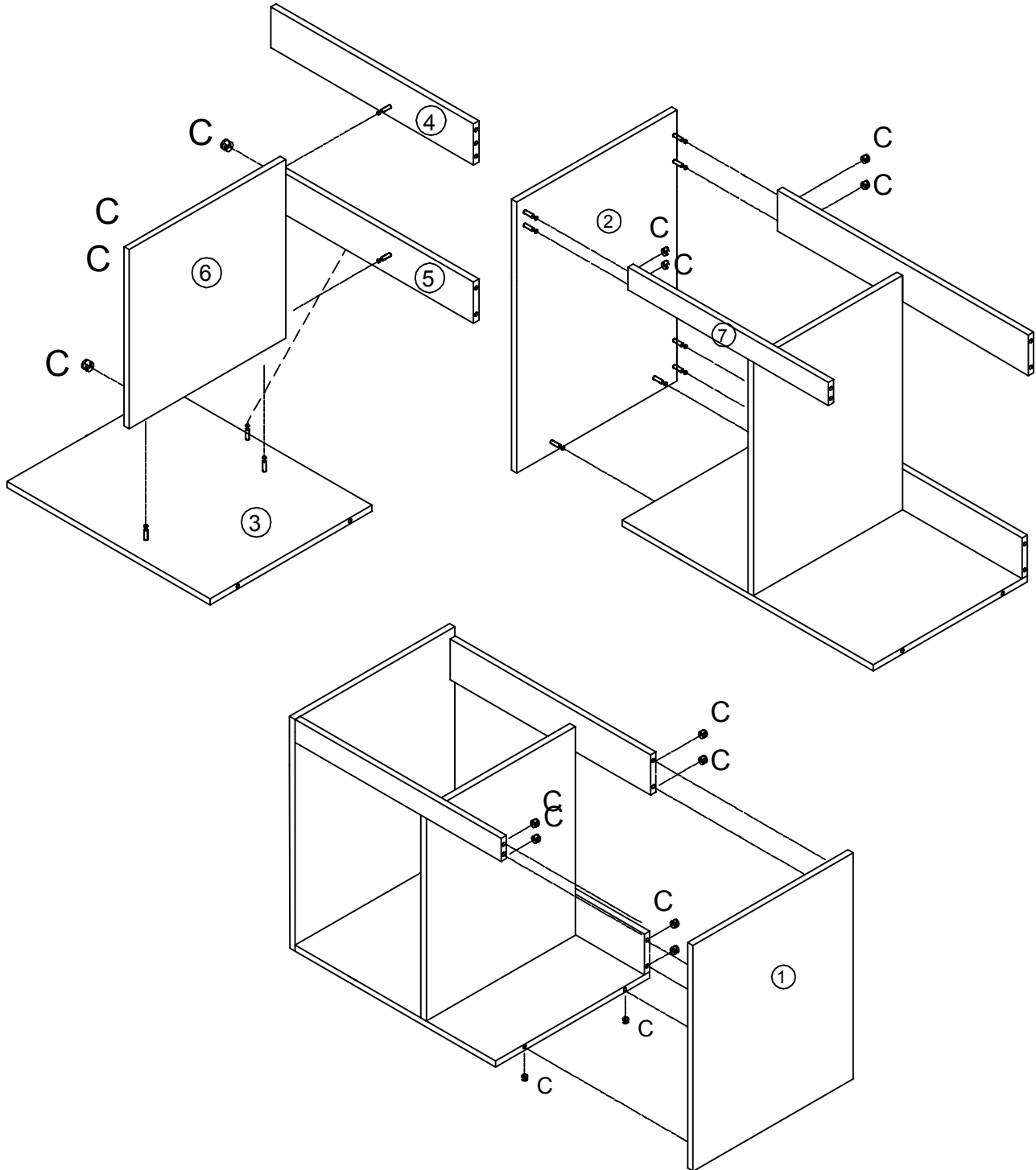
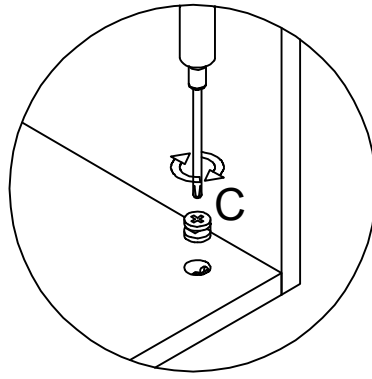
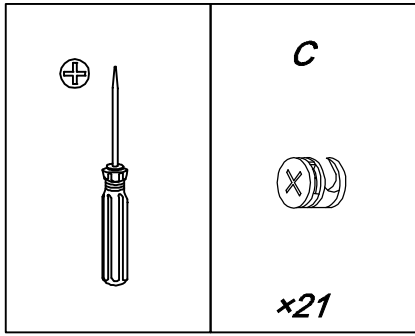


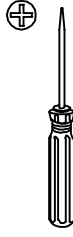


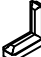
A	B	C	D	E	G
					
x8	x69	x69	$\Phi 3.5 \times 14 \text{mm}$ x68	x4	$\Phi 4 \times 18 \text{mm}$ x8

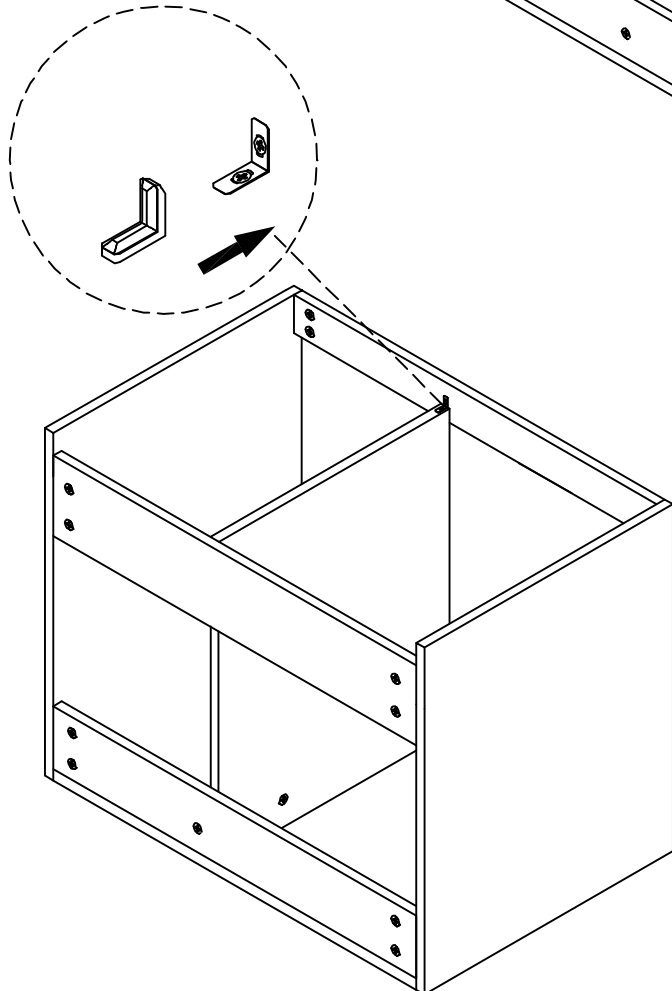
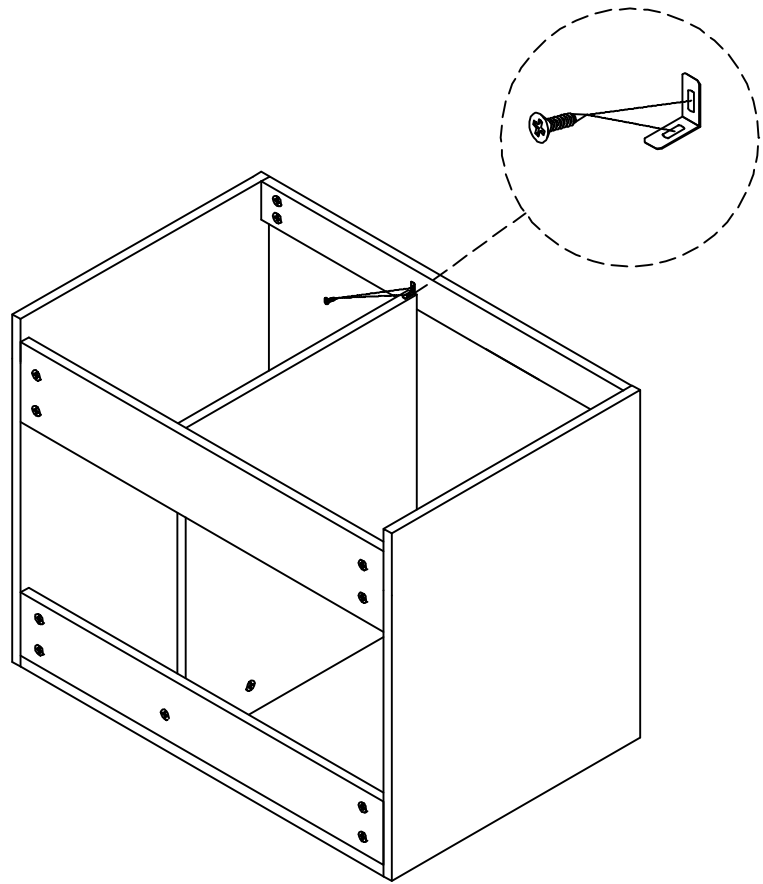
H	I	J	K	L	M	N
						
x8	x1	x1	$\Phi 5 \times 50 \text{mm}$ x3	$\Phi 8 \text{mm}$ x3	x3	x2

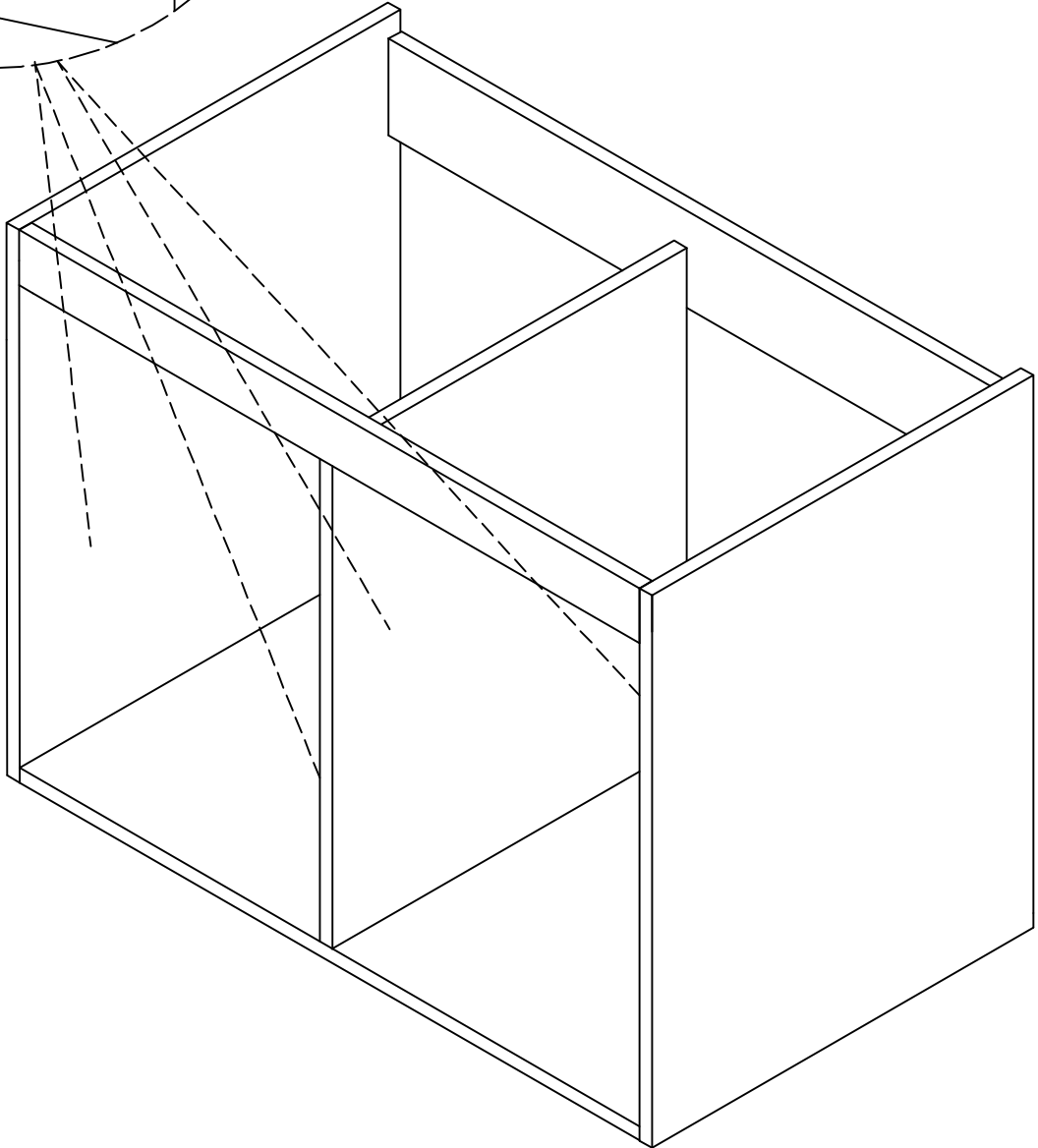
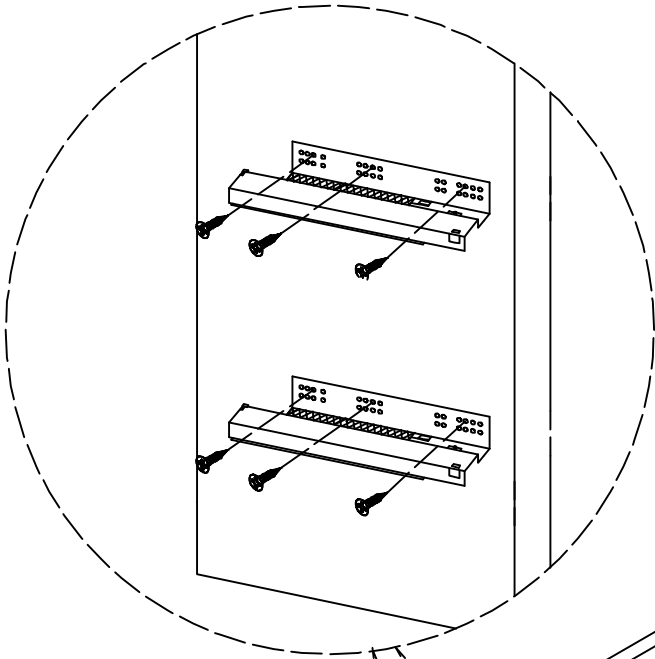
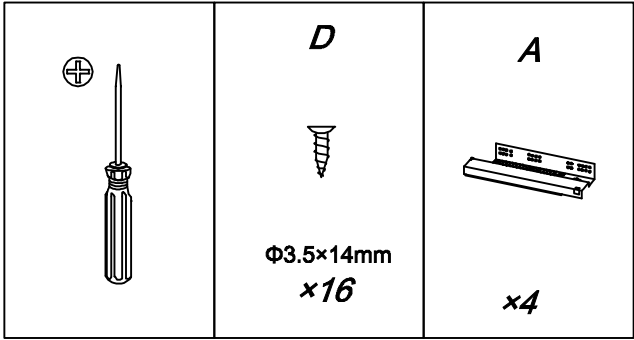


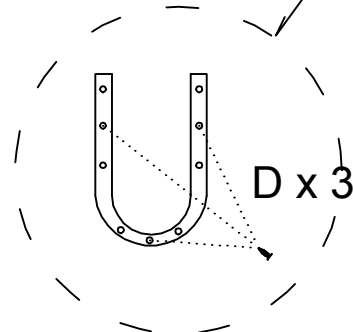
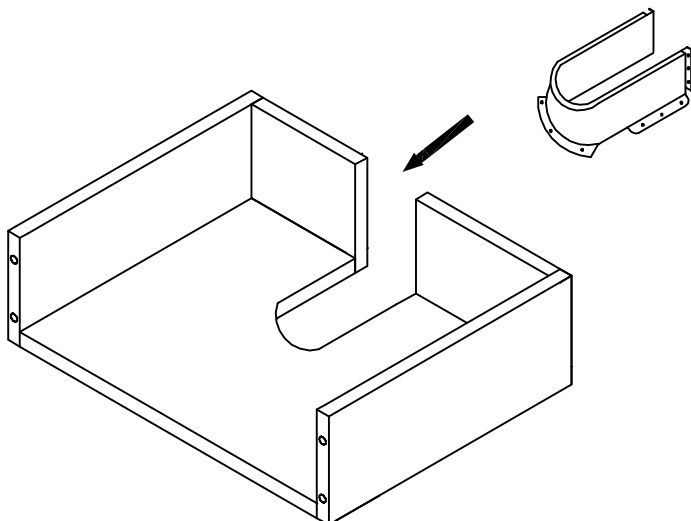
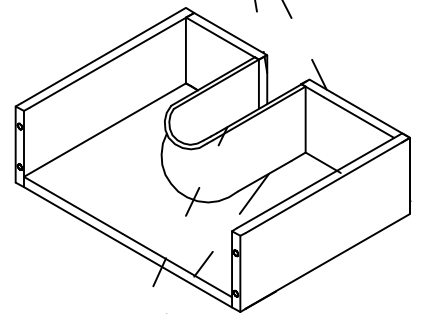
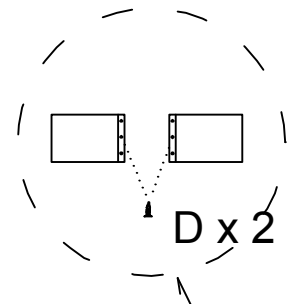
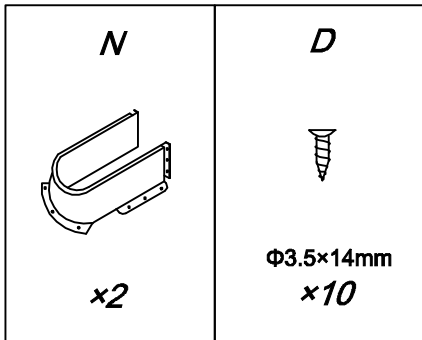
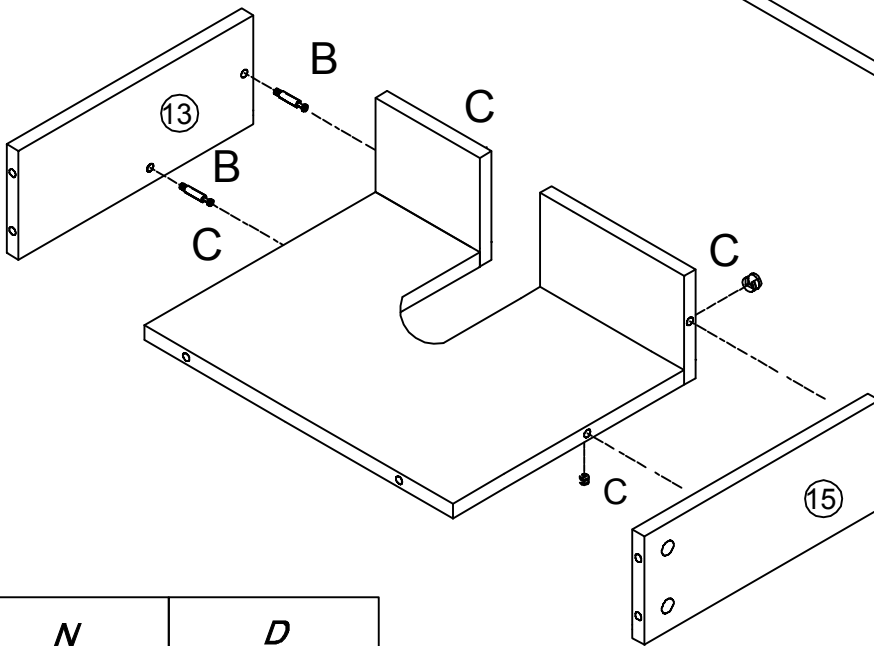
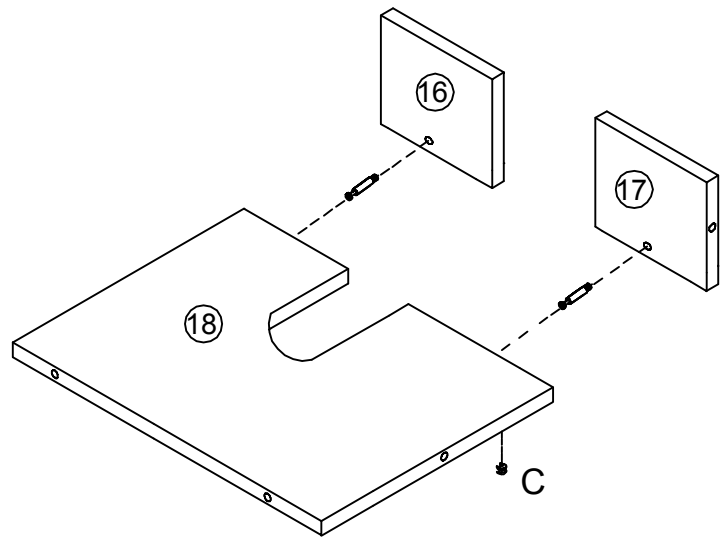
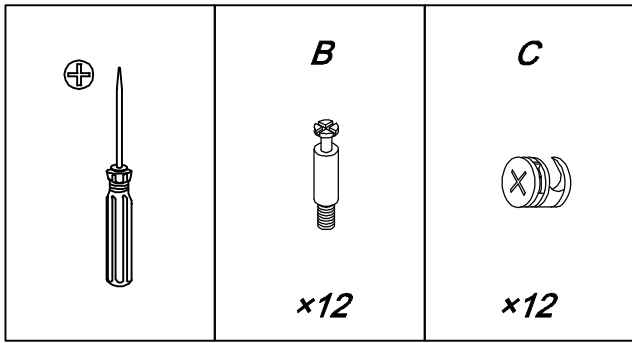





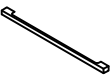



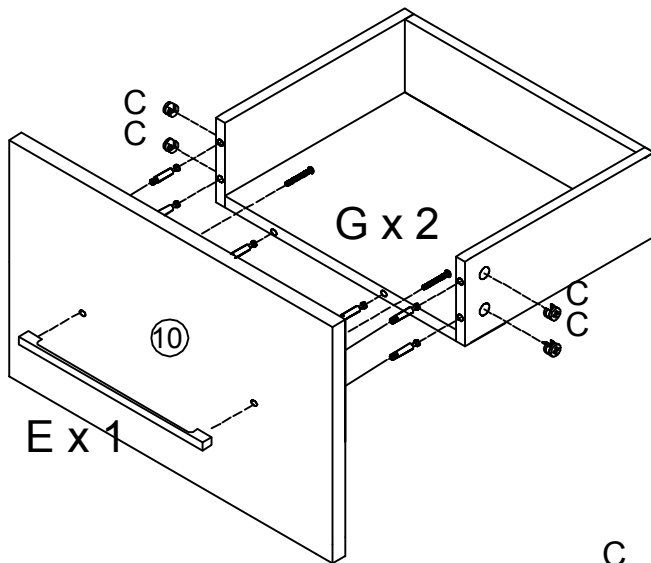
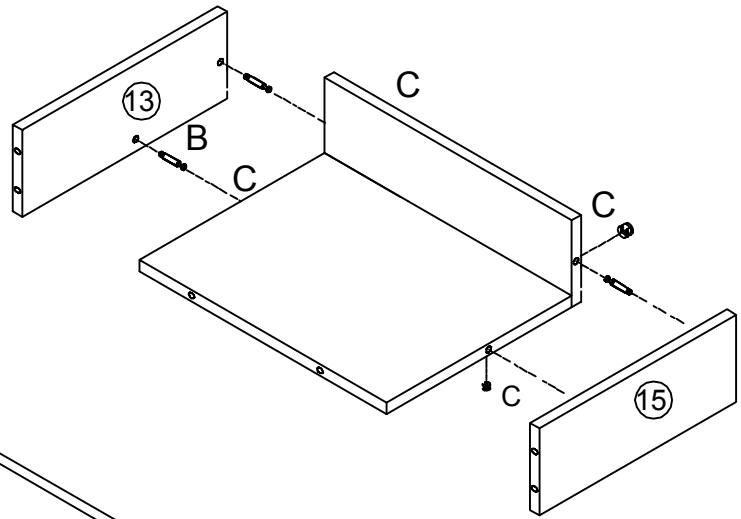
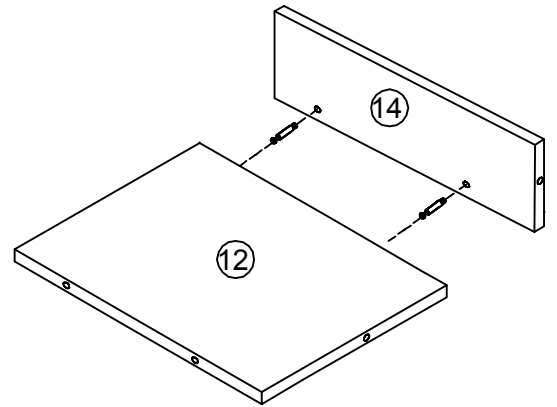
	<p><i>D</i></p>  <p>Φ3.5×14mm x2</p>
<p><i>I</i></p>  <p>x1</p>	<p><i>J</i></p>  <p>x1</p>



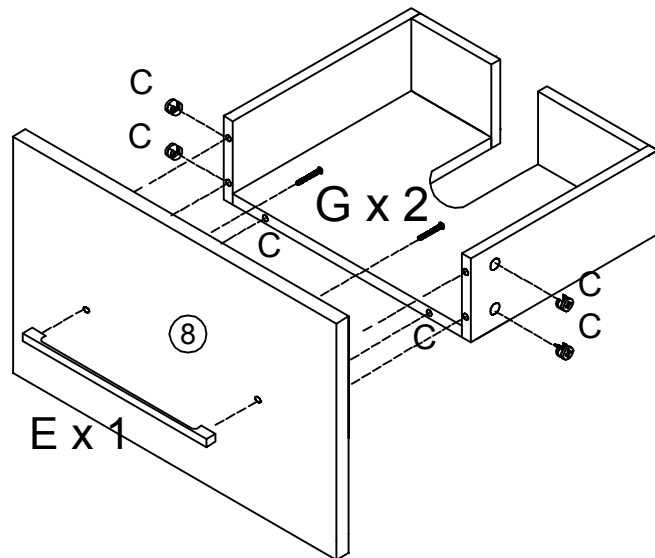




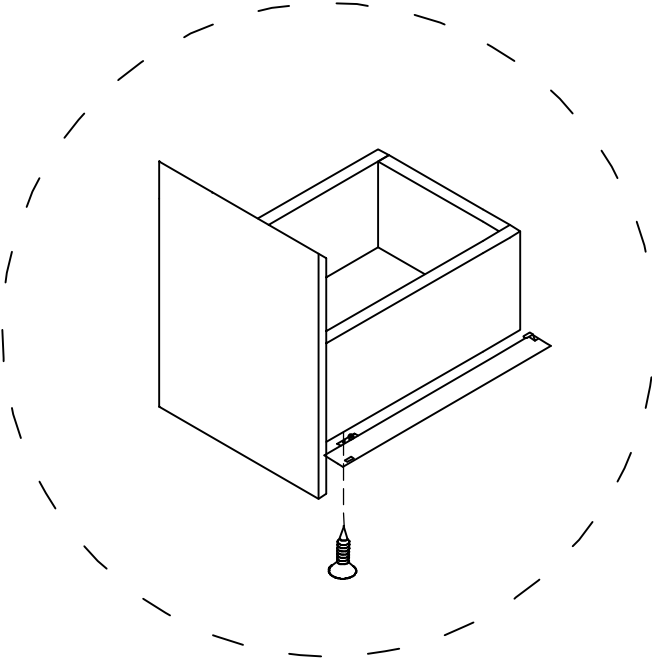
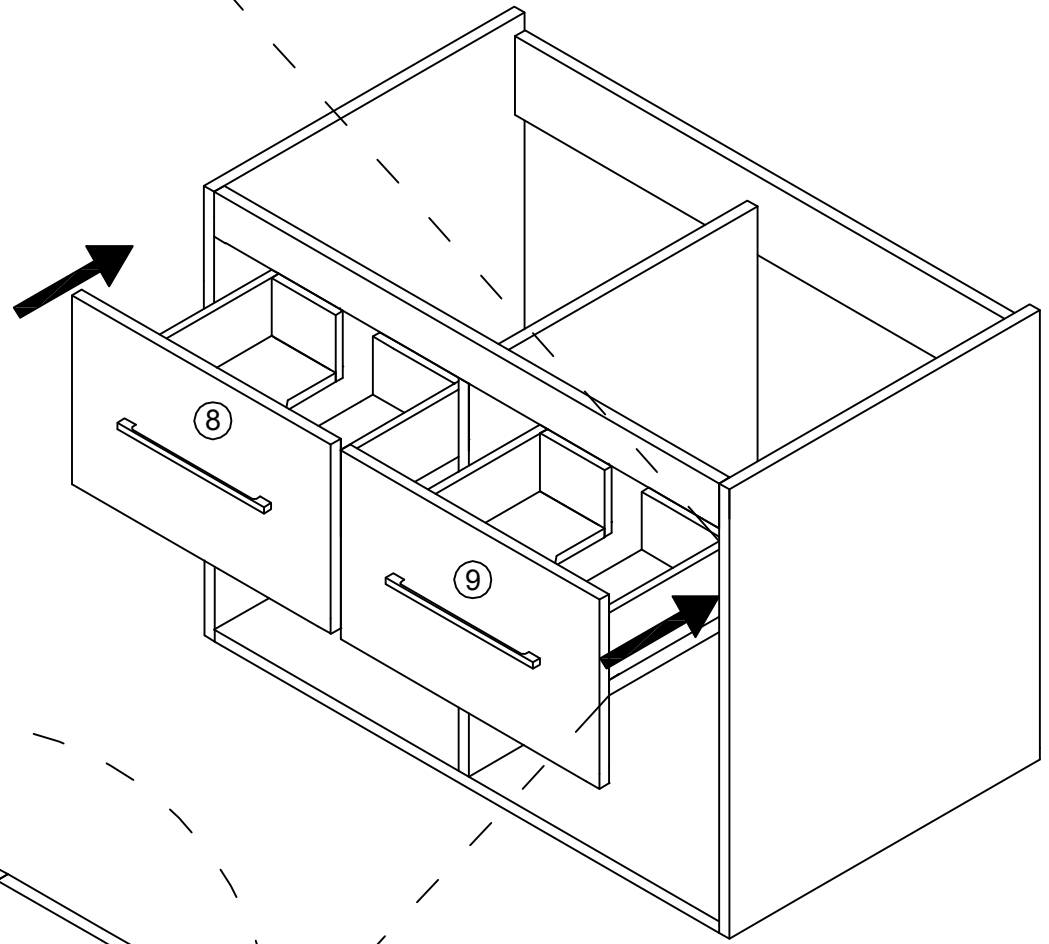
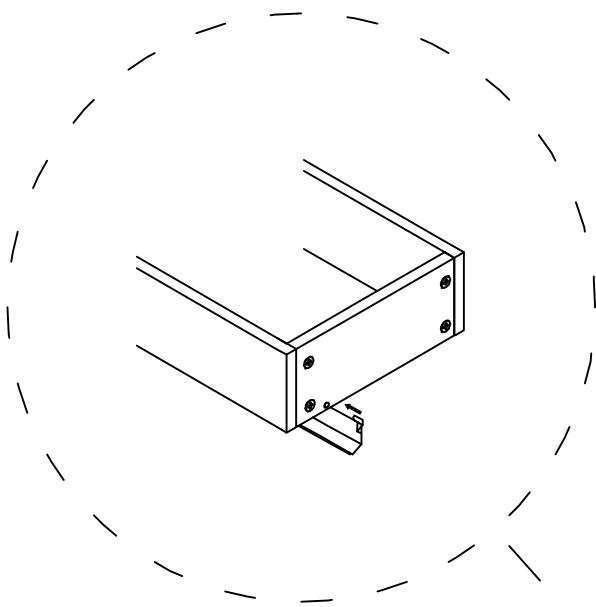
	<p>B</p>  <p>x36</p>	<p>C</p>  <p>x36</p>
<p>E</p>  <p>x4</p>	<p>G</p>  <p>$\Phi 4 \times 18 \text{mm}$ x8</p>	

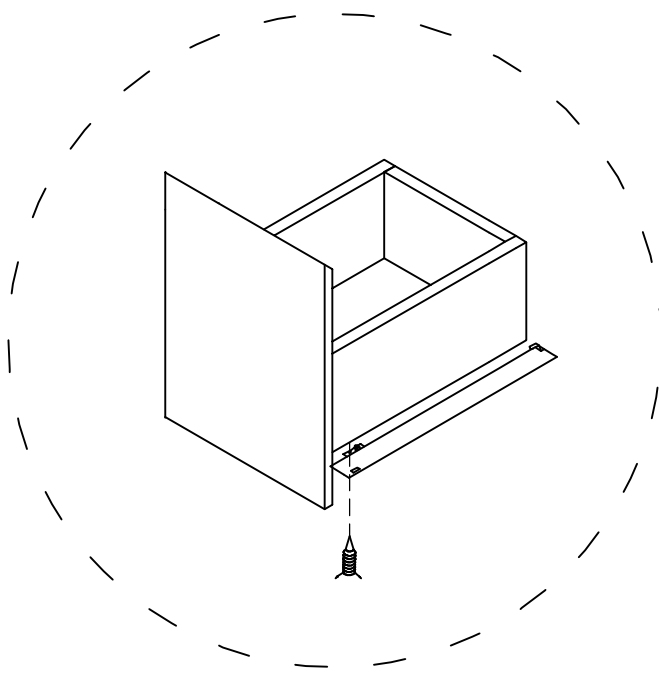
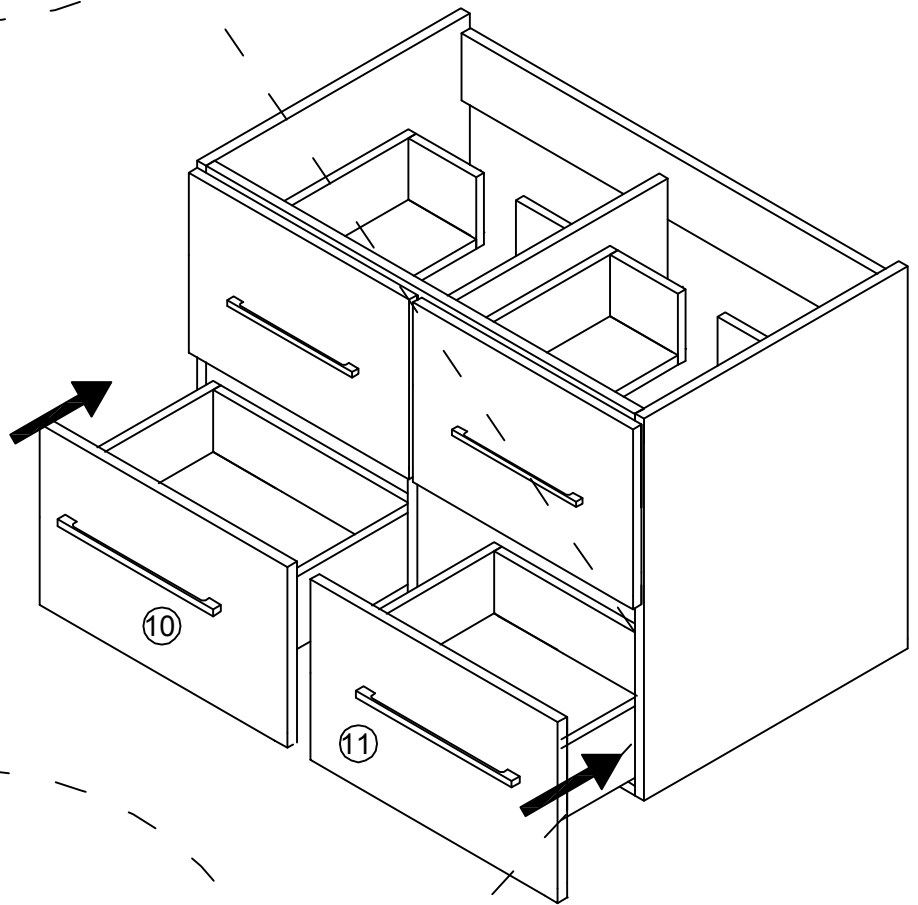
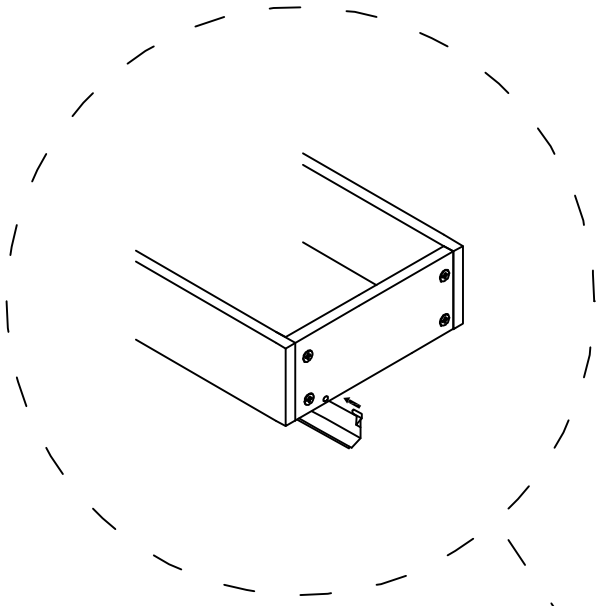




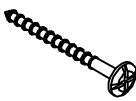

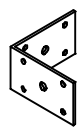

x 2



x 2





H	D	K	L	M	⊕
					
x8	Φ3.5×14mm x24	Φ5×50mm x3	Φ8mm x3	x3	

