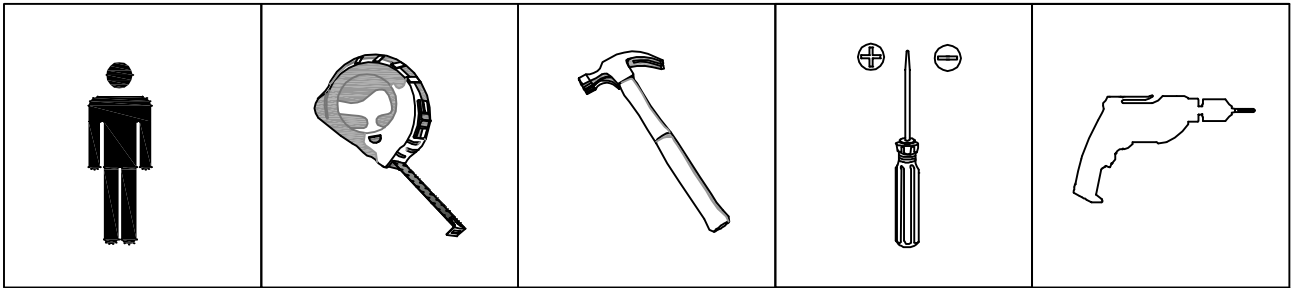
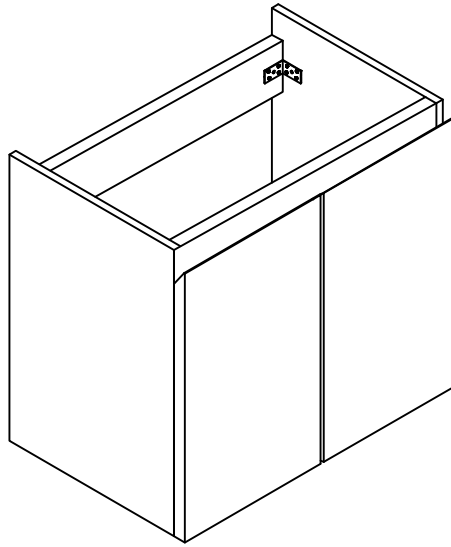








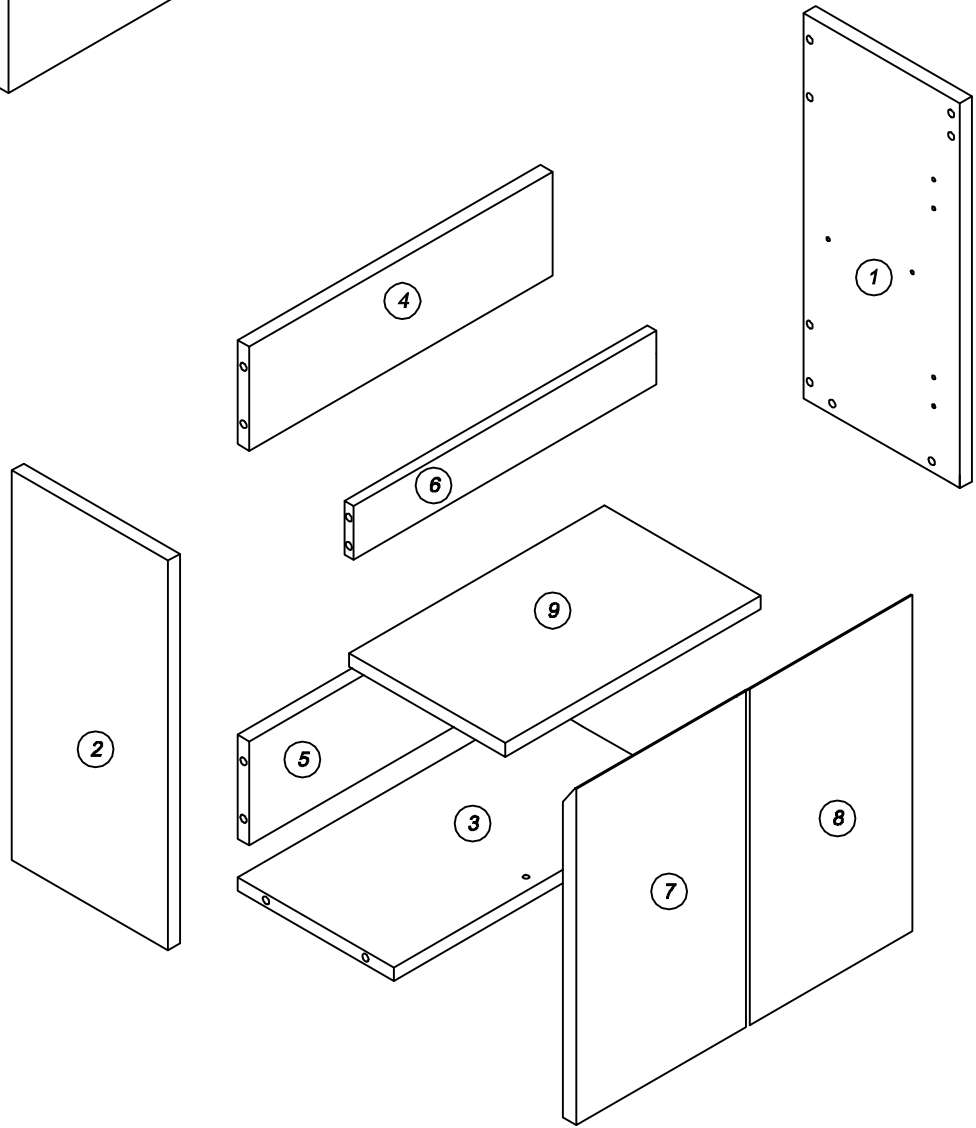
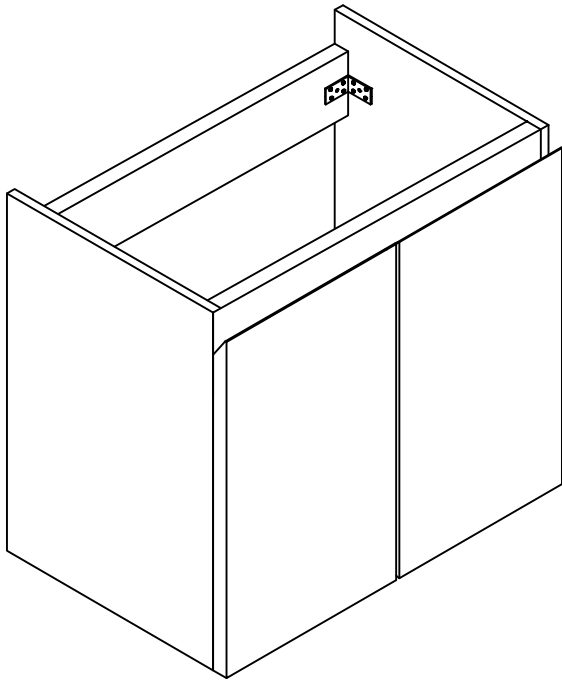


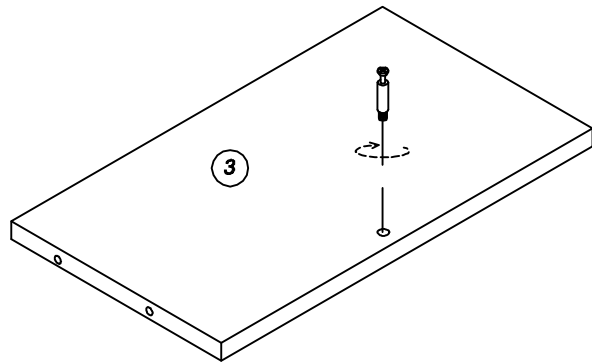
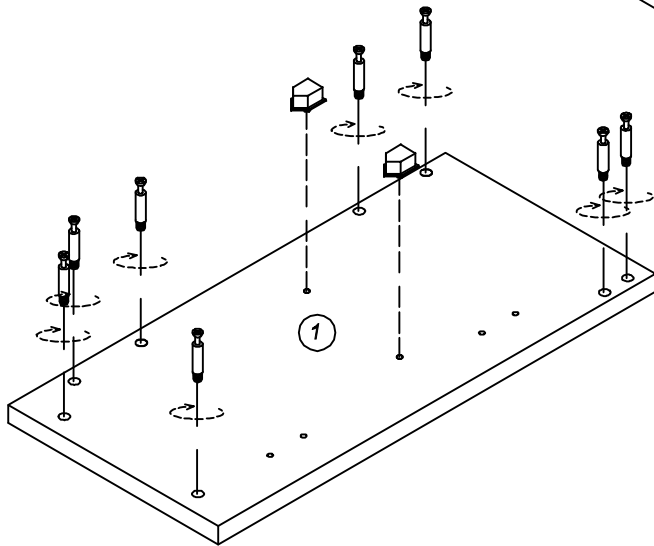
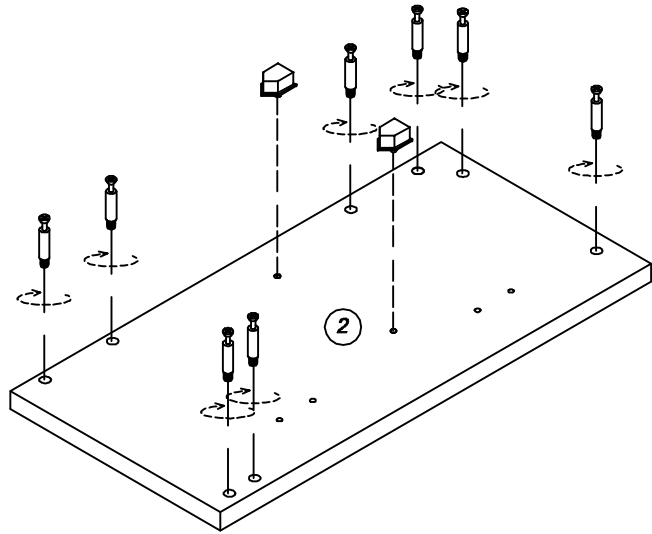
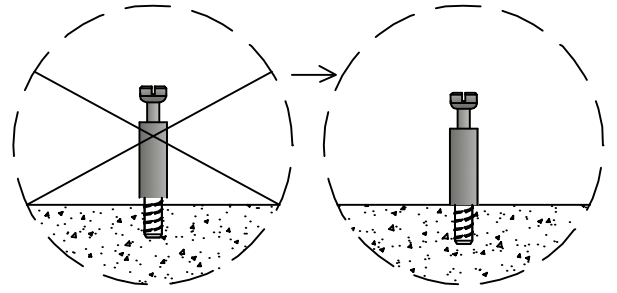
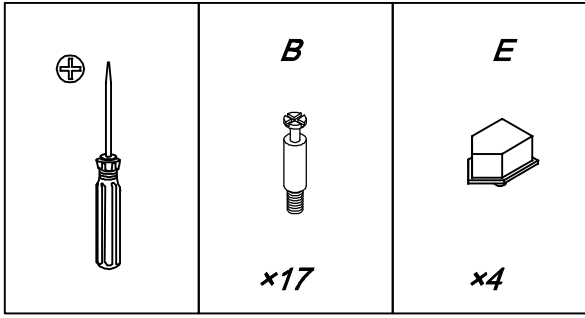
— INSTRUCTION MANUAL —

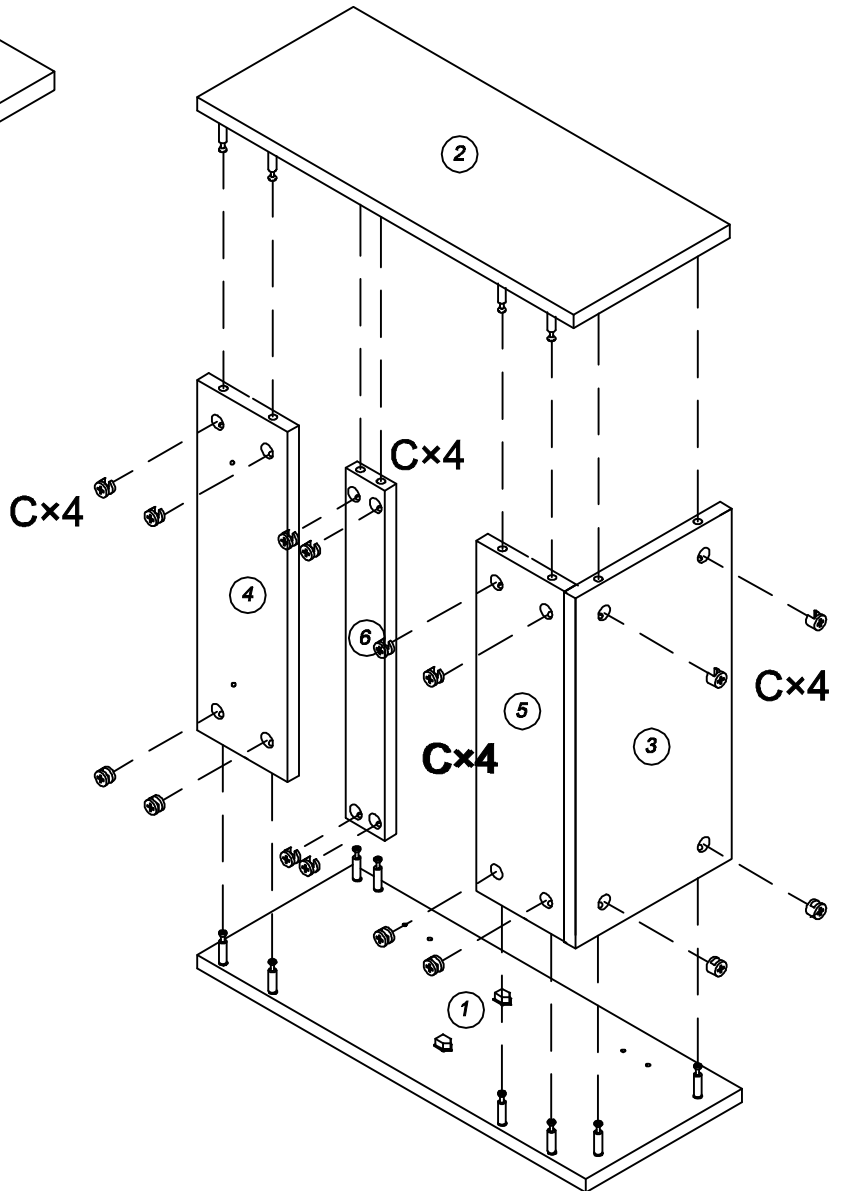
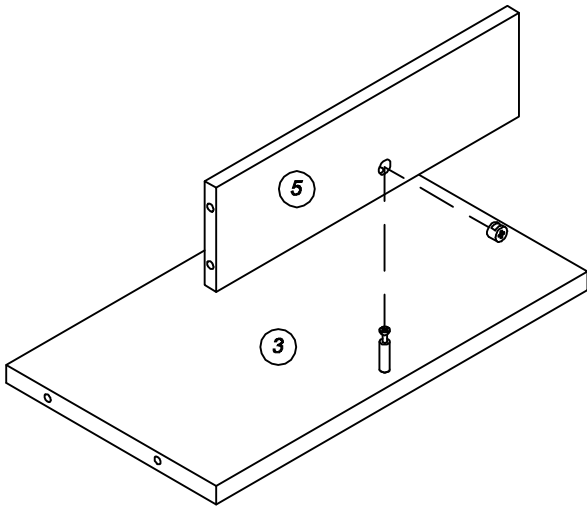
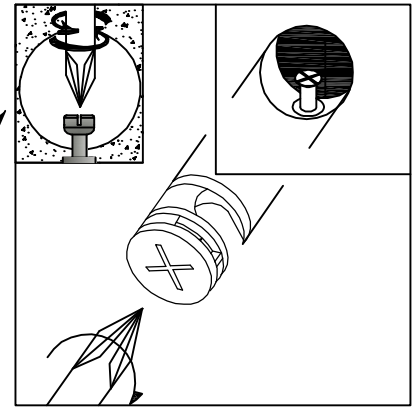
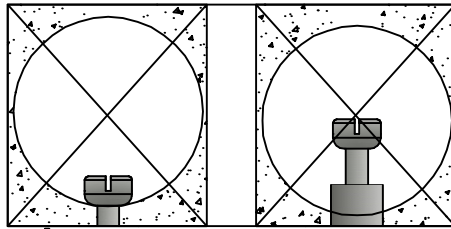
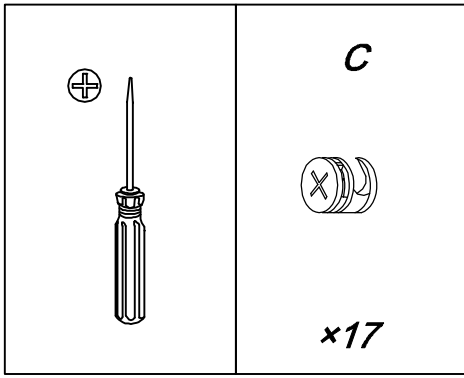
FLORENCE-24

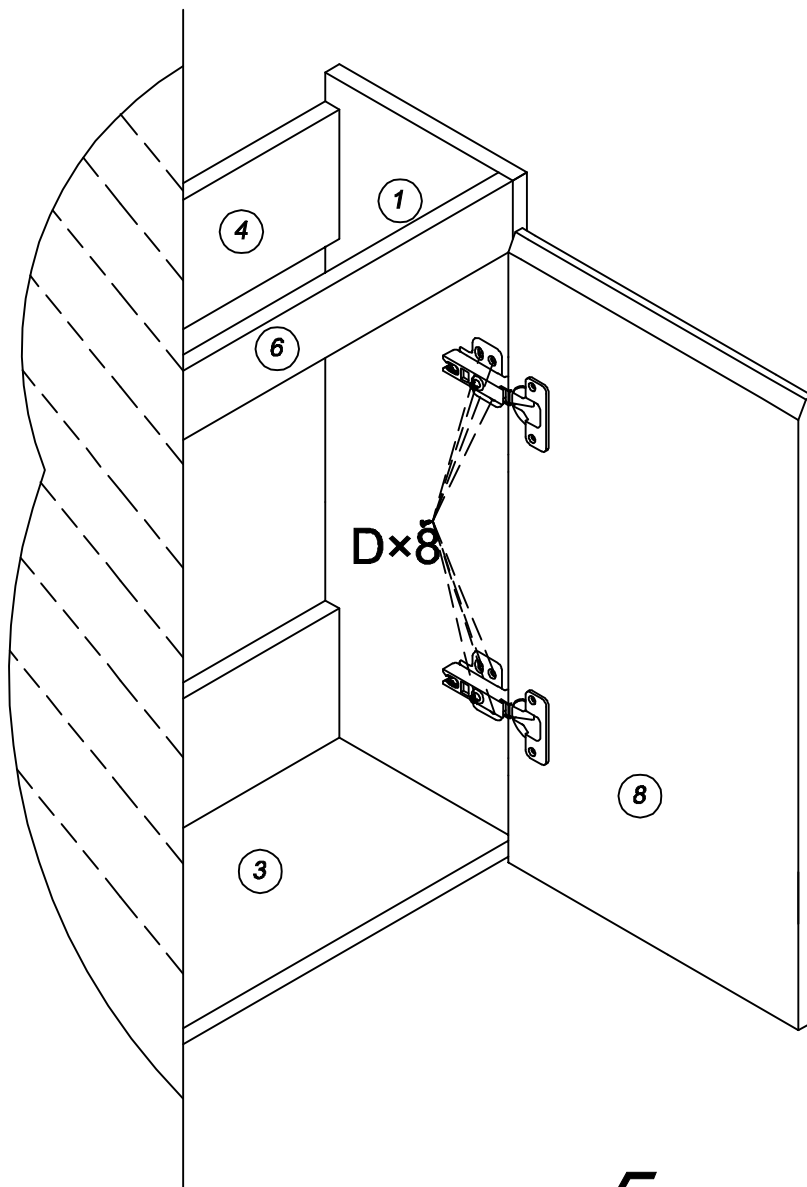
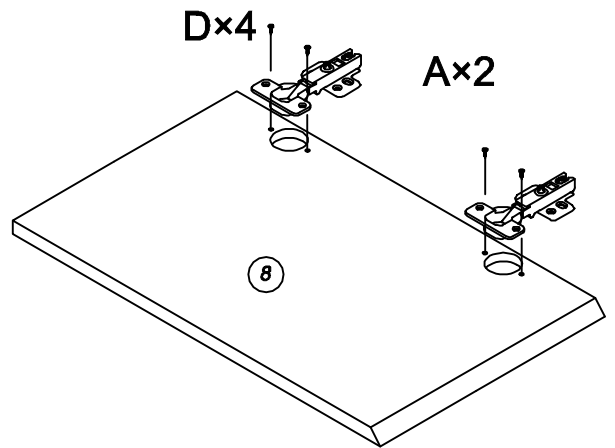
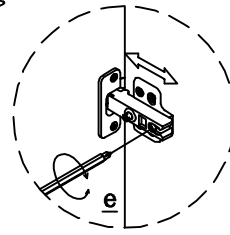
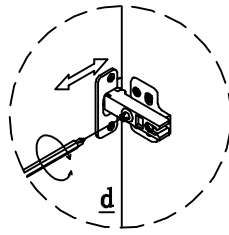
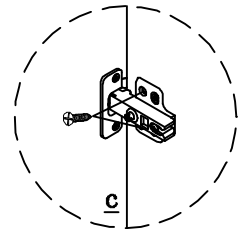
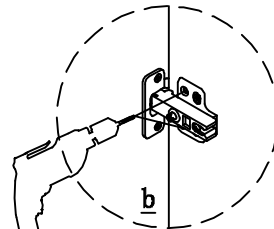
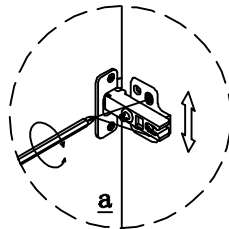
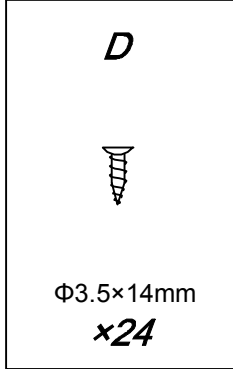
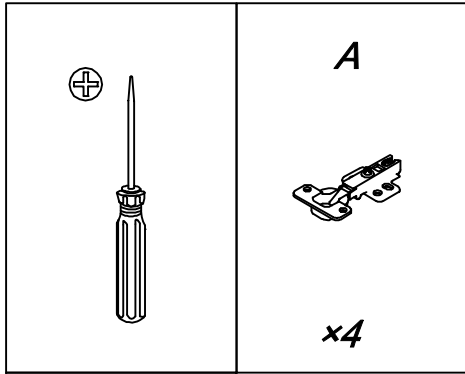





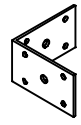

A	B	C	D
			
x4	x17	x17	$\Phi 3.5 \times 14 \text{mm}$ x40
E	H	j	k
			
x4	x2	$\Phi 5 \times 50 \text{mm}$ x2	$\Phi 8 \text{mm}$ x2









D	J	K	H	+
				
Φ3.5×14mm x16	Φ5×50mm x2	Φ8mm x2	x2	

