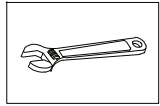
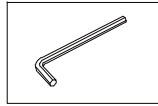


# WALL MOUNTED BATHTUB FAUCET INSTALLATION

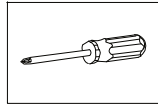
## INSTALLATION MANUAL Tools You will need



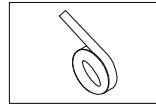
Adjustable Wrench



Allen key



Philips Screwdriver



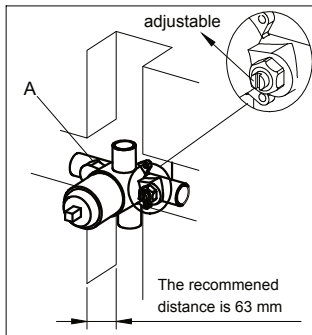
Teflon Tape

### Before the Installation

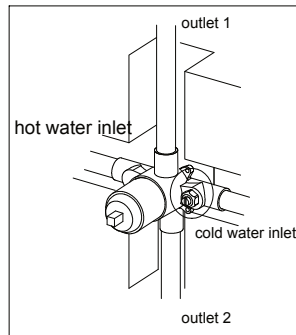
1. Check the package and confirm all parts are included. If any part is missing or damaged, please contact us.
2. Do not disassemble the main body, as it has been installed & commissioned correctly & precisely before leaving the factory.
3. Shut off the main water supply before beginning installation.
4. Do flush the water supply lines to remove any dirt and debris before installation (IMPORTANT).
5. Make sure to connect the hot/cold inlet pipe correctly. If standing in front, connect the hot water pipe to the left and the cold water pipe to the right.
6. After the installation, check for leaks and make sure every joint is safely sealed.

### Cleaning and Maintenance

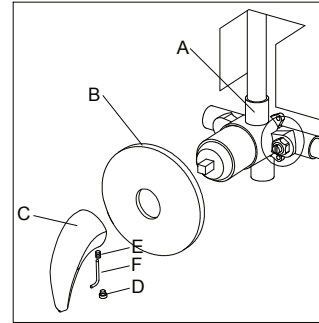
1. Rinse with clean water and dry with a soft cloth.
2. Do not use any detergent, acid, polisher, abrasives, or harsh cleaners.
3. Do not use cloth with a coarse surface.



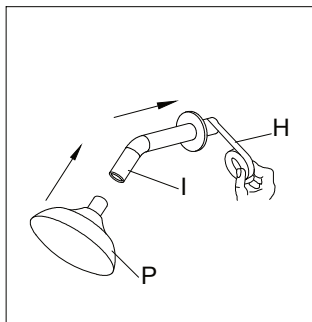
1. Fix the shower valve (A) into the wall. Use a level to ensure that the valve is straight and level. The distance between the bottom of the body and the surface of the tile is 63 mm.



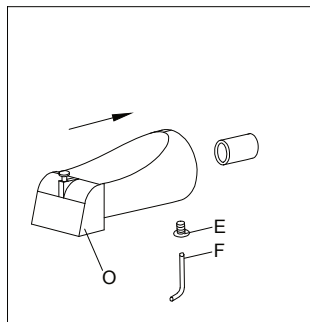
2. Wrap Teflon tape around the pipe threads and connect hot and cold water supply lines and in-wall pipes (not included) as desired to the valve. Turn on the water supply and open the cartridge to check for leakage. Then, put on the protective cover.



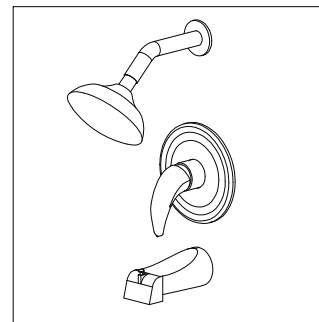
3. Remove the protective cover when the finished wall is completed and install the escutcheon (B) to the valve (A) and press it against the finished wall. Then, install the handle (C), tighten the set screws (E) with the Allen key (F), and put on the indication buttons (D).



4. Turn the water on for 1 minute to flush any debris. Apply Teflon tape (H) to the threaded tailpipe and install the shower hose (I) into the outlet on the wall. Then connect the top shower (P) to the spout.



5. Turn the water on for 1 minute to flush any debris. Install the tub spout (O) into the outlet on the wall. Tighten set screws (E) with Allen key (F).



6. Done.