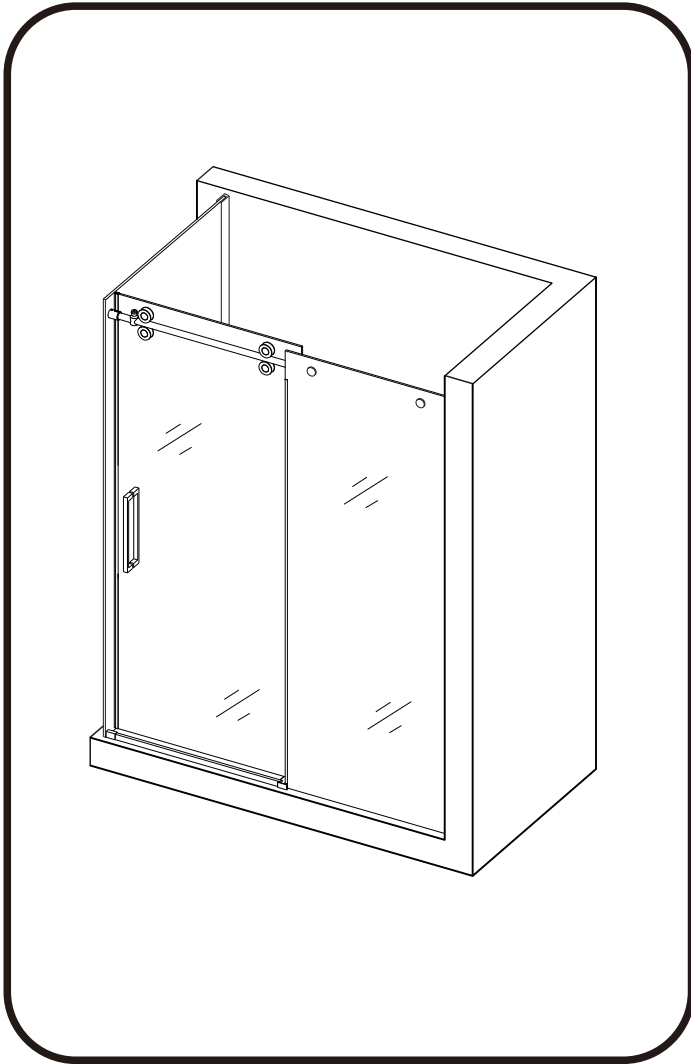


Model No:MYO Sliding Door

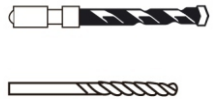
INSTALLATION INSTRUCTIONS



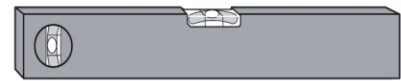
Tools Required



Drill



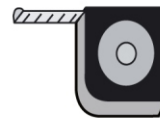
6mm Masonry Drill
3.2mm HSS Drill



Spirit level



Sealant Gun



Tape Measure



Pencil



**PH2 TYPE
Screwdriver**

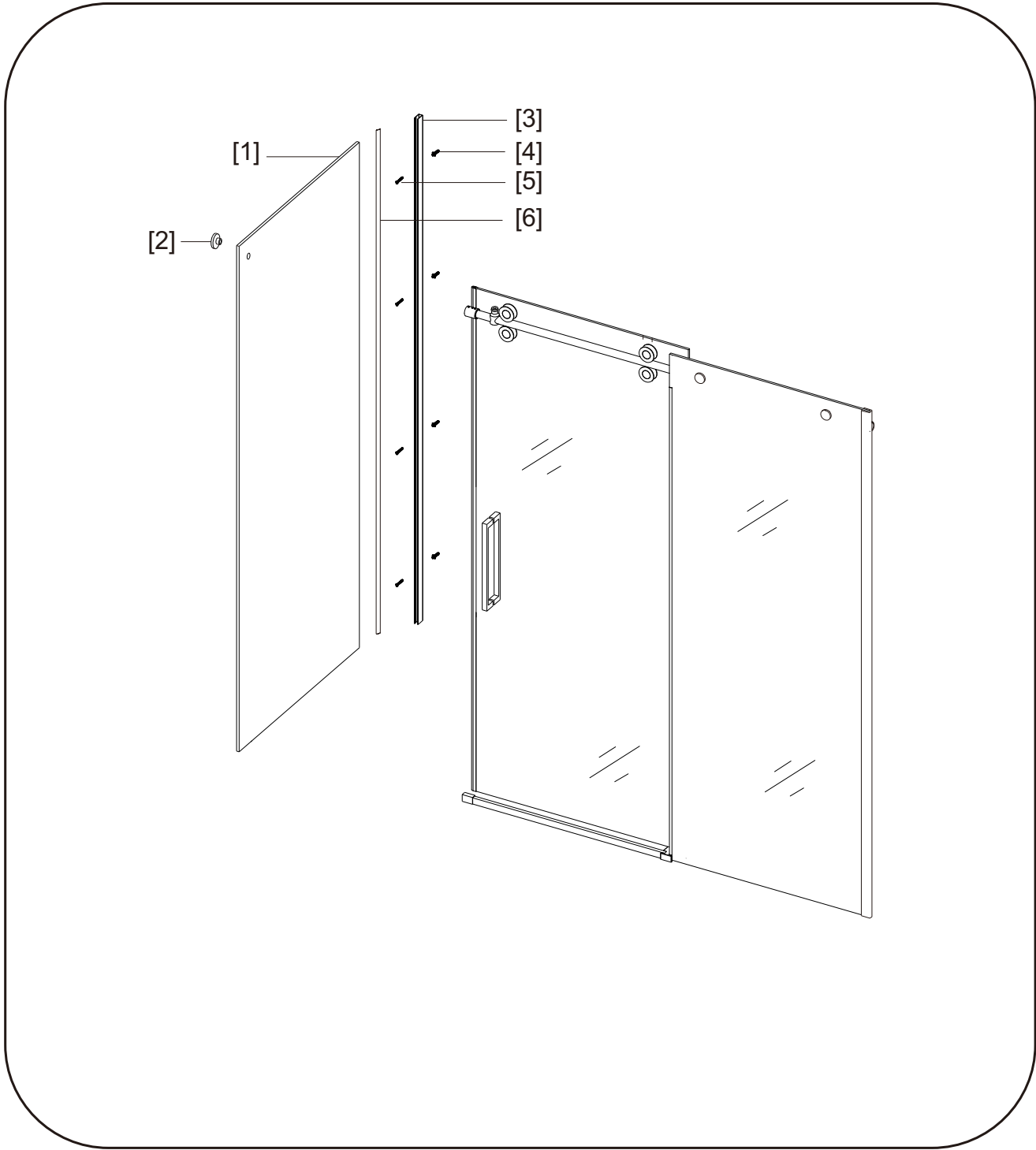
Please not hand tools **NOT** supplied.

IMPORTANT

These instructions assume that installation is done against solid/tiled walls.

The wall plugs supplied with the installation kit are for use on solid walls. Hollow or stud-partition walls will require alternative fixings. Please consult with a reputable trades person or hardware supplier for the correct type of fixing.

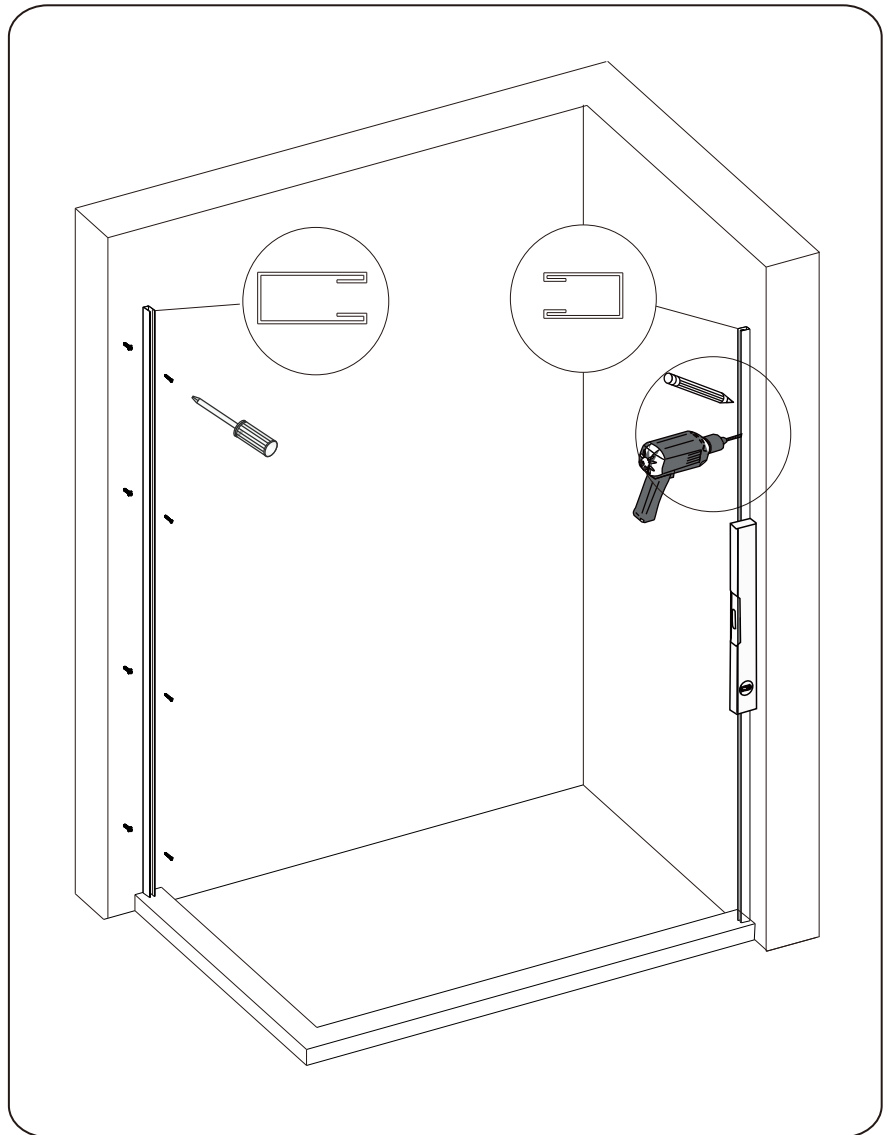
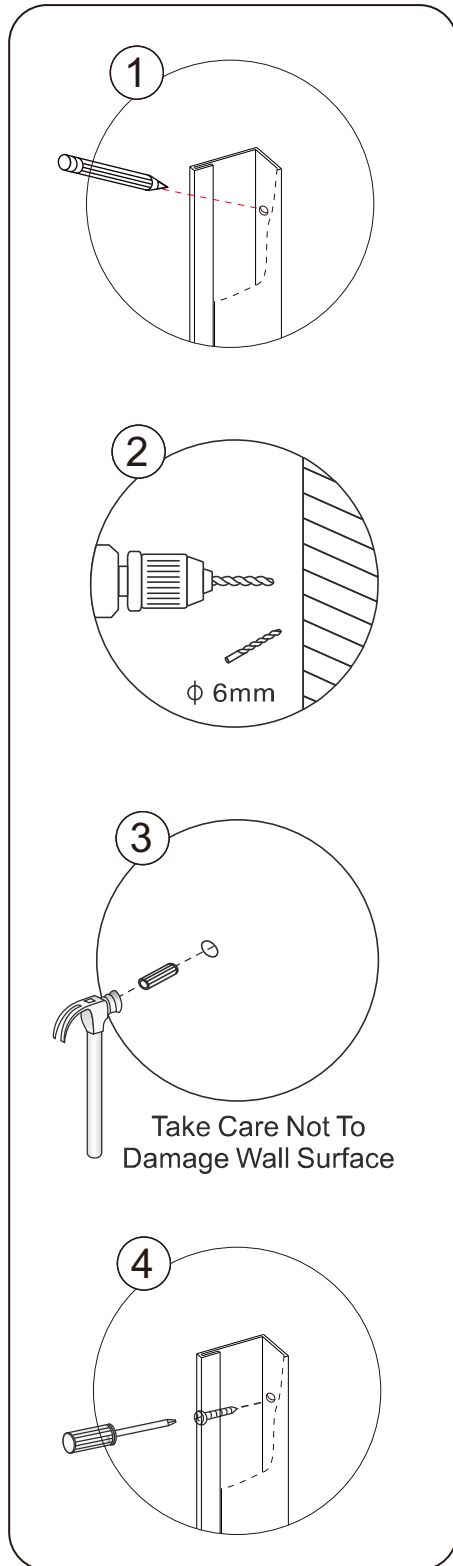
It may also be necessary to consult your tiling supplier about the correct method drilling your tiles.



NO.	Description	Qty
1	Side Panel Glass	1
2	Side Panel Rail Bracket	1
3	Wall Profile	1
4	Wall Anchor	4
5	Round Screw M4x30	4
6	T Shaped Seal	1

Installation Steps

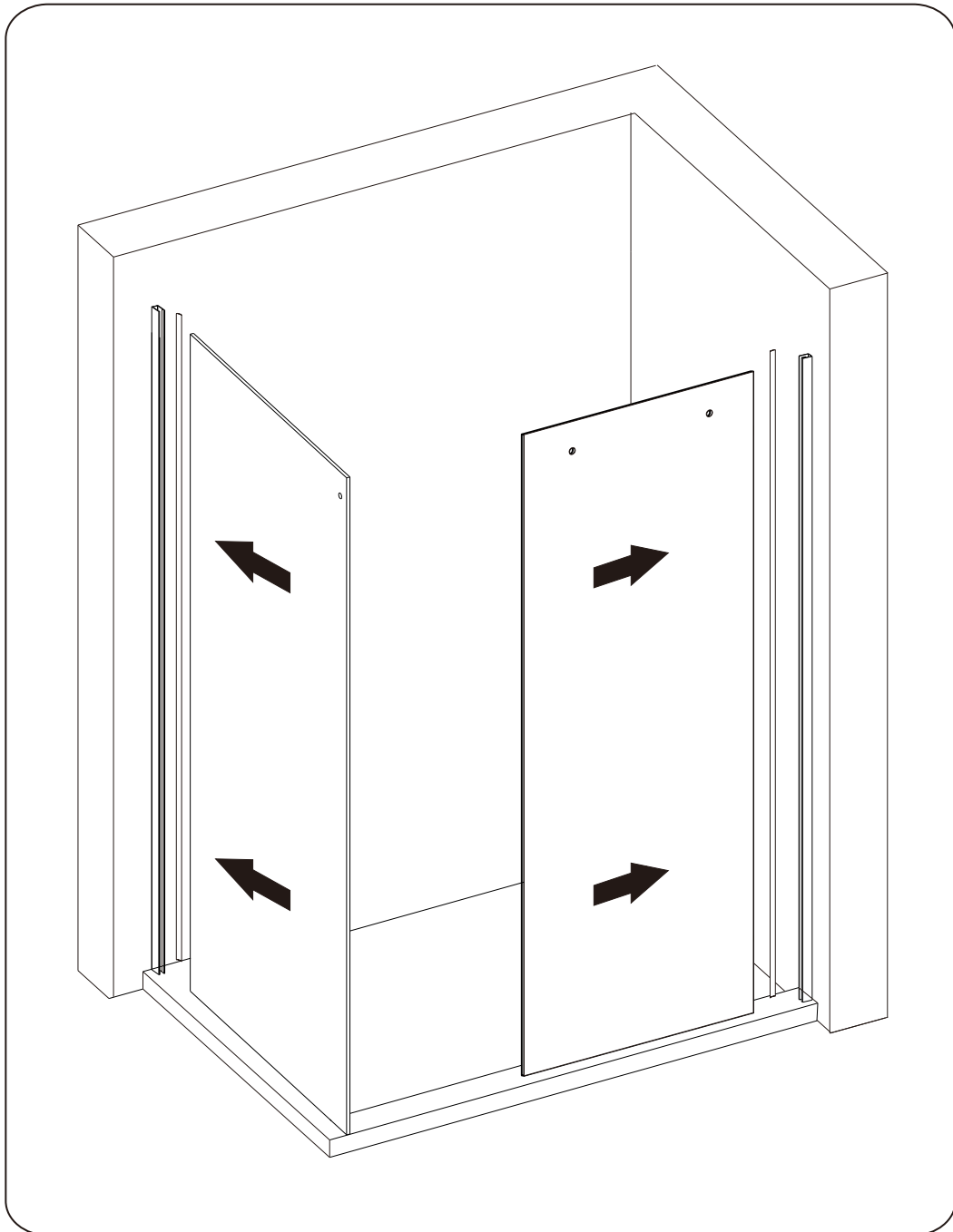
Step 1



Step 2

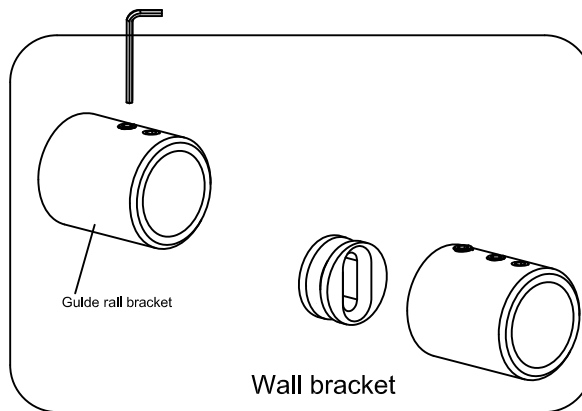
2.1 Insert the glass into the wall profile.

2.2 Fitting the seal on the glass.



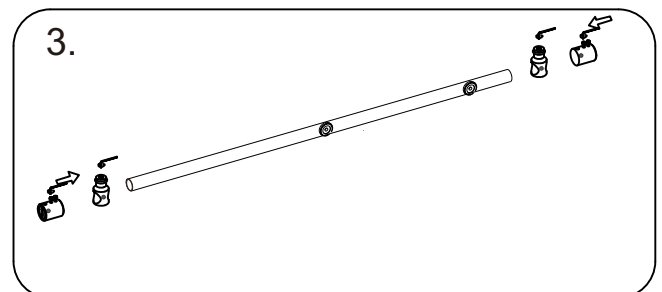
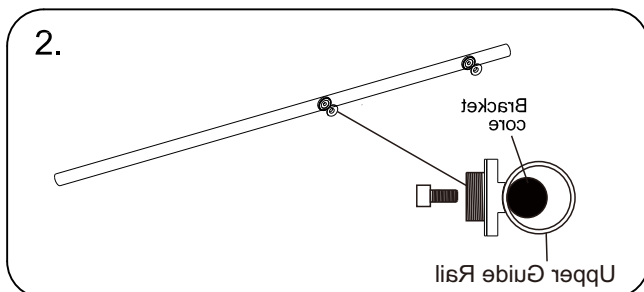
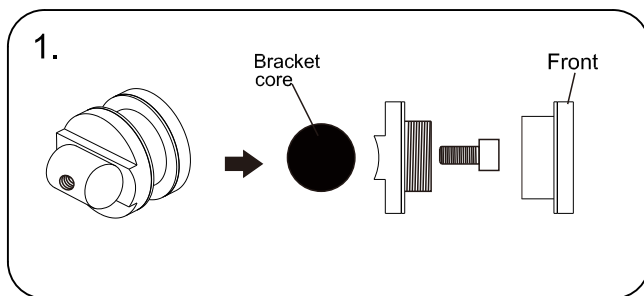
Step 3

3.1. Loosen the screw on Guide Rail **Bracket** , pull out the wall bracket.

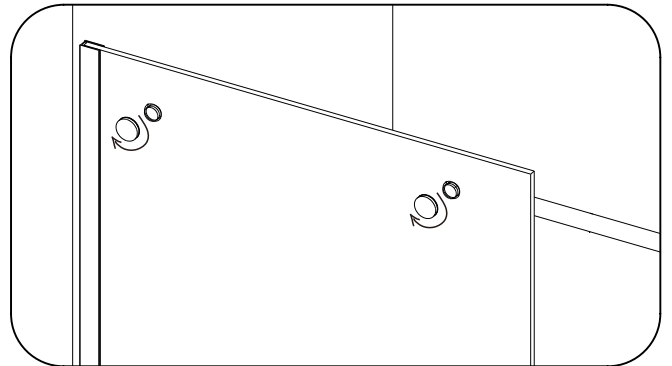
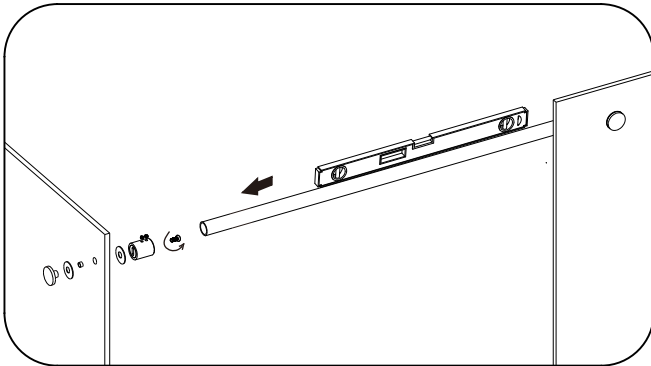


3.2. Use the **allen key** to loose the screw on the **Guide Rail Bracket** and **Glass Door Stopper** . Slide the stopper and then the bracket to the **Guide Rail** , use the allen key to tighten the parts to the guide rail temporarily.

3.3. Disassemble the **Glass Bracket** , insert the bracket core inside the guide rail tube, push it slowly to make the hole on the core match the hole on the tube, then lock the bracket back side with hex spanner.



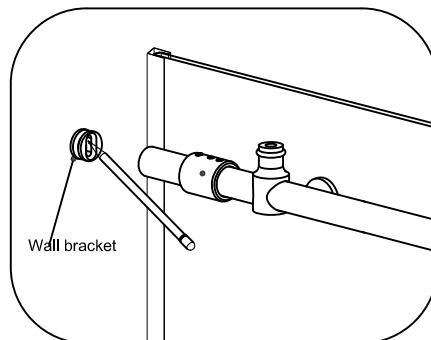
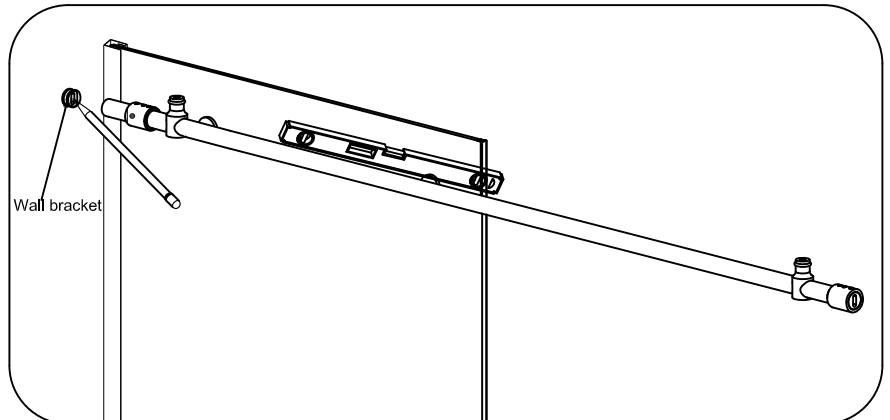
3.4. After finishing installing the guide rail, lock the glass bracket front side so as to lock the stationary glass to the guide rail.



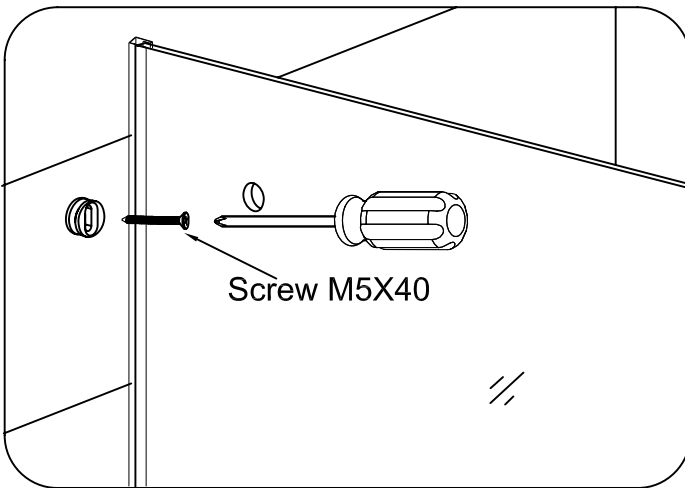
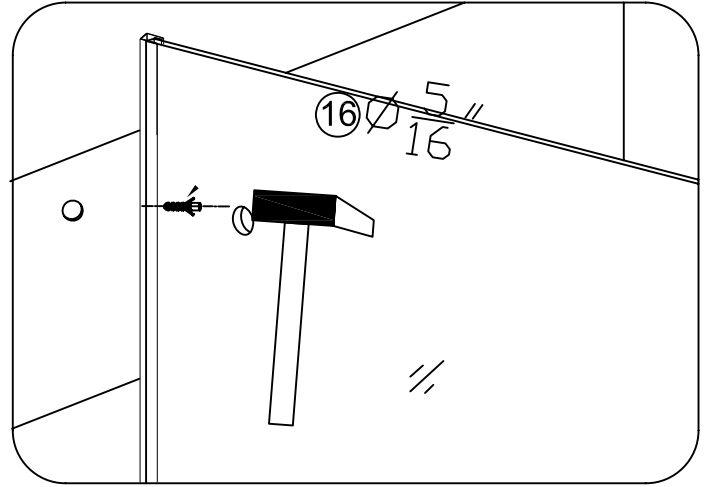
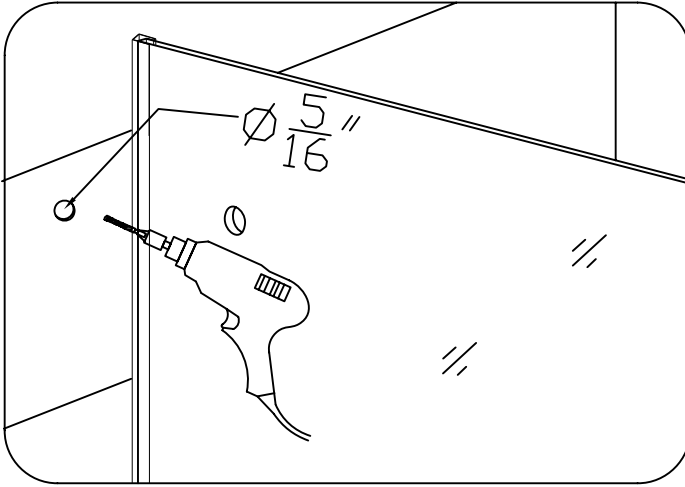
3.5. Make sure the **Stationary Glass** and the **Upper Guide Rail** are leveled, if a horizontal adjustment is required, adjust it in the **Glass Brackets**. Slide the **Guide Rail Bracket** against the wall, outline the guide rail brackets position. Put the wall bracket to the outlined position and drawing the drilling holes in the wall.

Warm tips:

1.the other side of the wall bracket are positioned in the same way.



3.6. Drill holes with **5/16"** drill bit and knock in **5/16" Wall Anchor**, then use **Philip's screw M5*40** to lock the wall bracket to the wall.

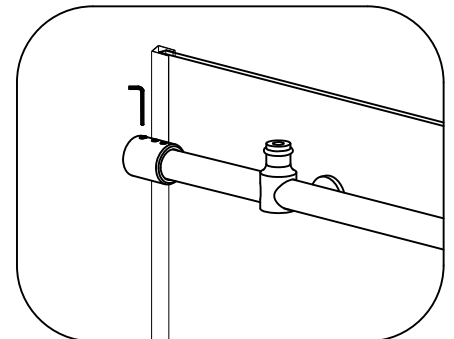
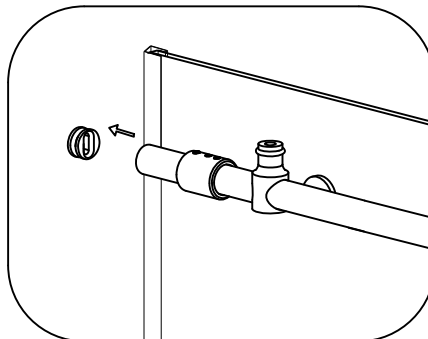


Warm tips: The other wall bracket is installed in the same way

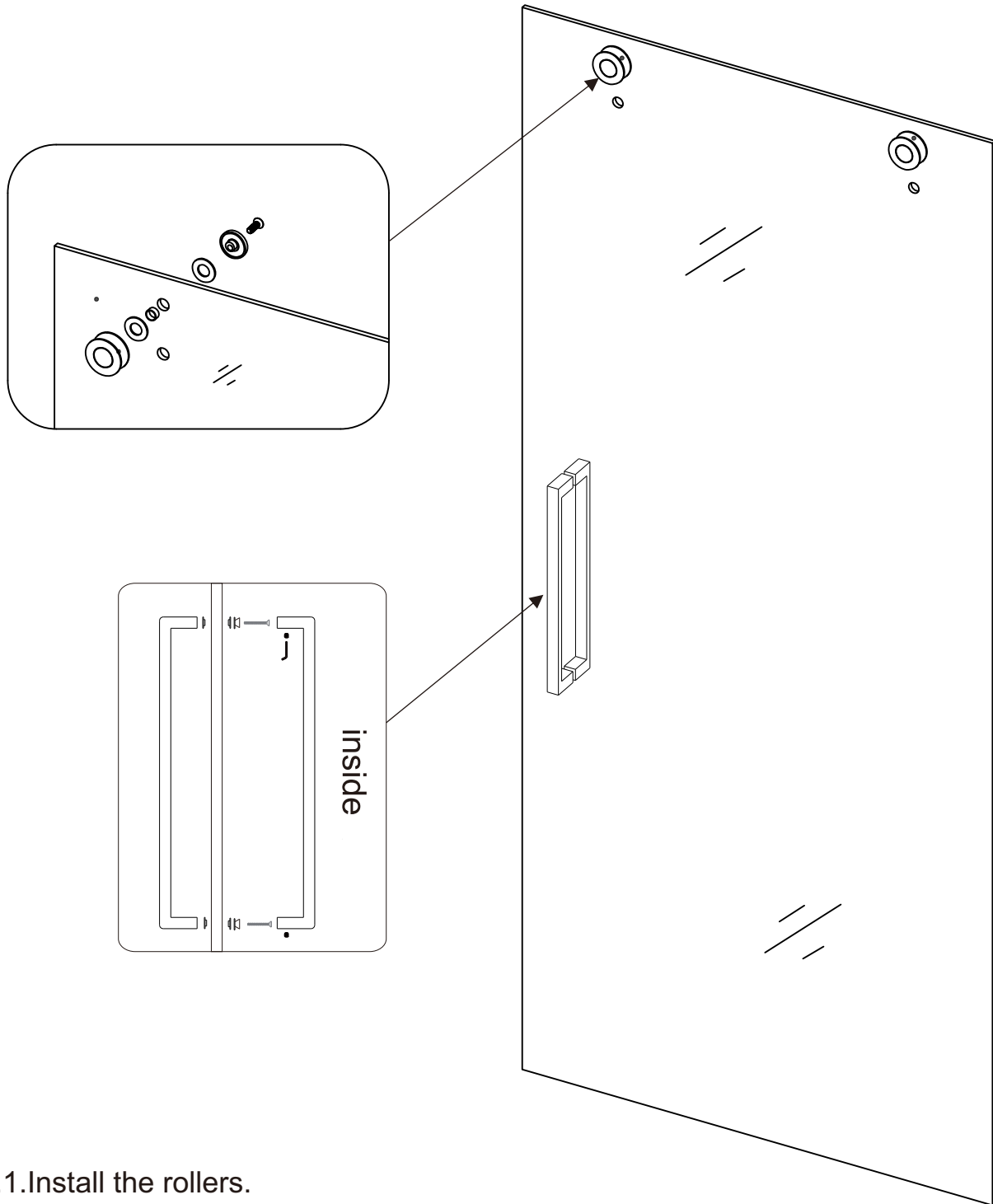
3.7. Slide the **guide rail bracket** to the two end sides of the guide rail, fixed the guide rail bracket to the wall bracket with hexagon spanner.

Warm tips:

1. the other side of the guide rail and guide rail bracket are installed in the same way.



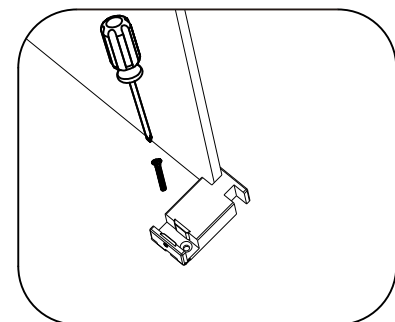
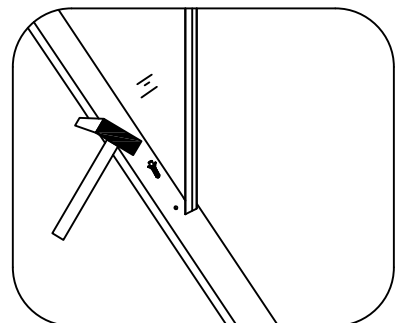
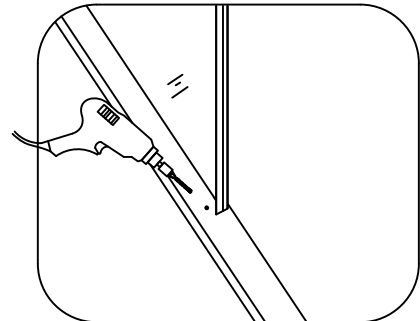
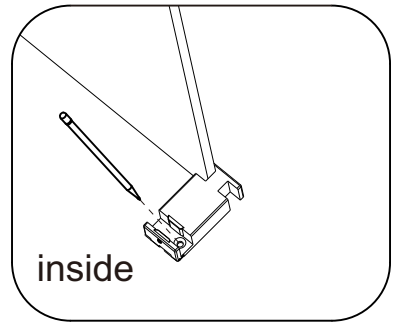
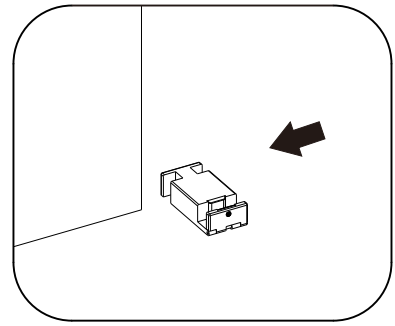
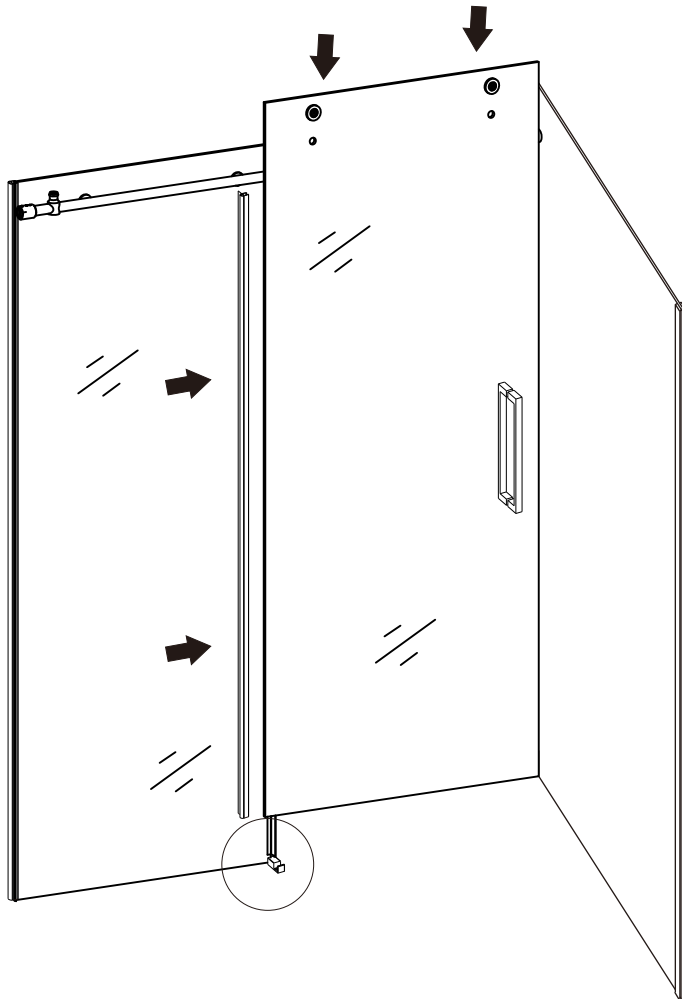
Step 4



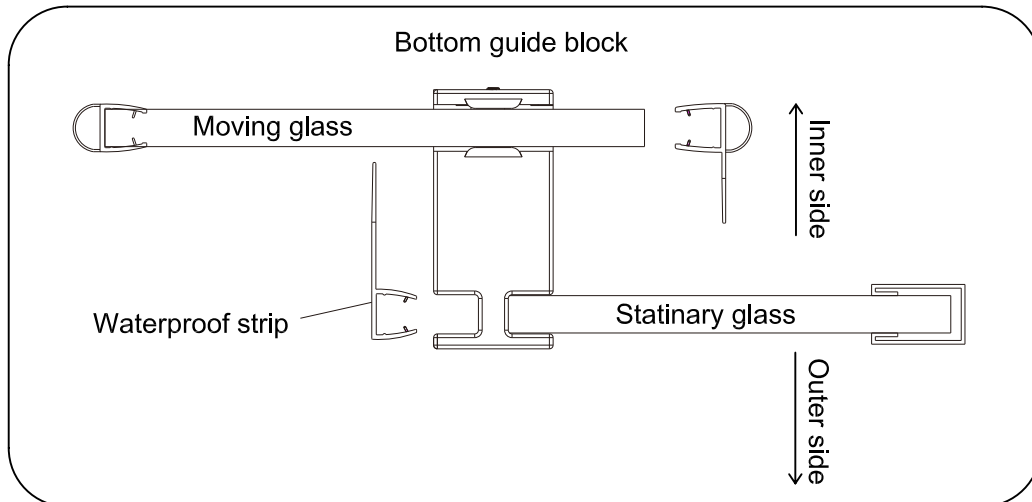
4.1. Install the rollers.

4.2. Install the handle.

4.3. Rise the **Glass Door** to make rollers hang to the **top guide rail** and place the glass bottom side to the **Guide Block** slowly. Make sure that the **Glass Door** will slide in the **Guide Block** , outline the drilling position, install the guide block to the shower tub.

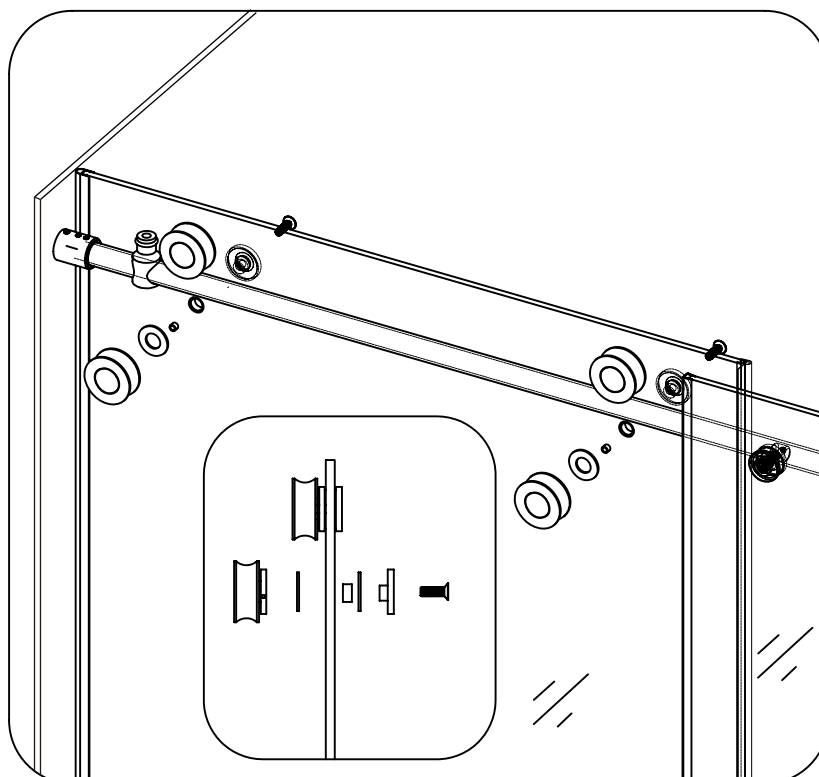


Step 5



5.1. Install the Bottom Two Rollers

now adjust glass to vertical and then install the bottom two Rollers



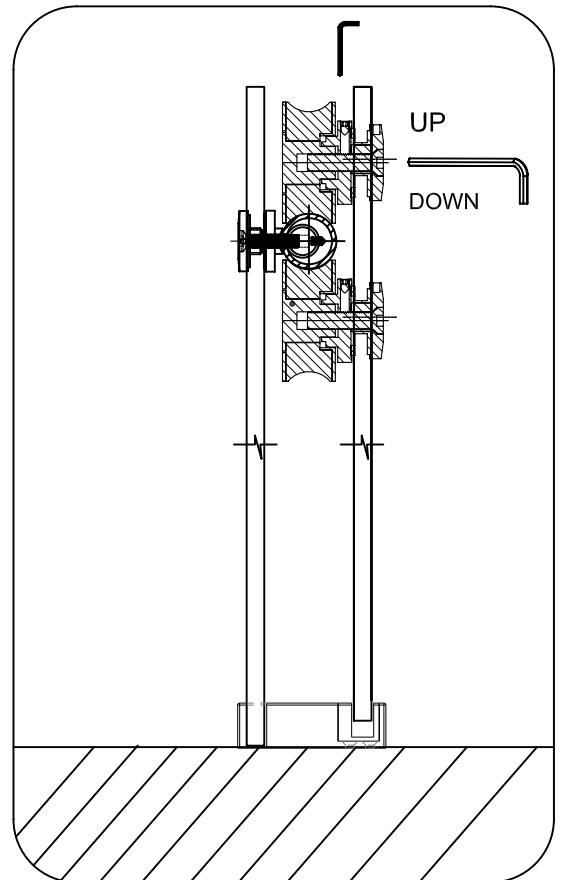
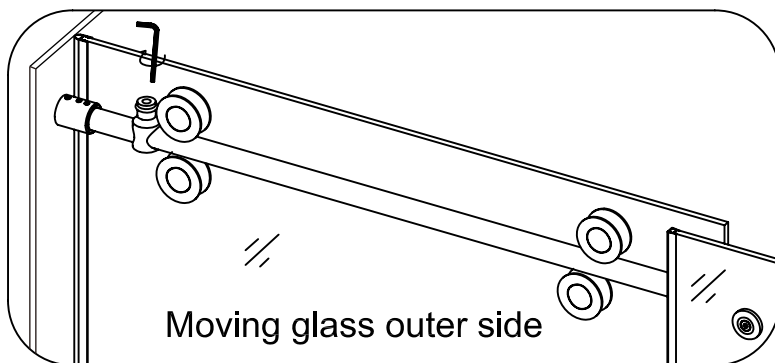
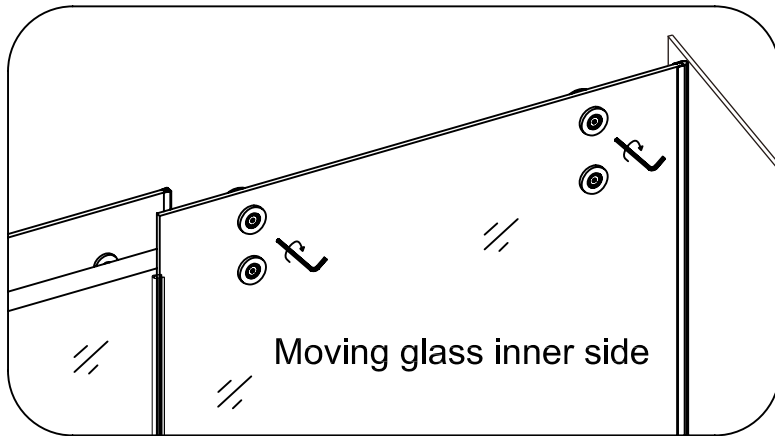
Step 6

6.1. Adjust the roller and fix the glass door stopper

6.2. Adjust the fasteners on **rollers** to ensure that the bottom edge of the **glass door** will not touch the bottom of the **guide block**

6.3. Push the **door stopper** close to the wall side, slide the moving door to make roller contact to the stopper and get perfect space then lock the stopper bottom screw.

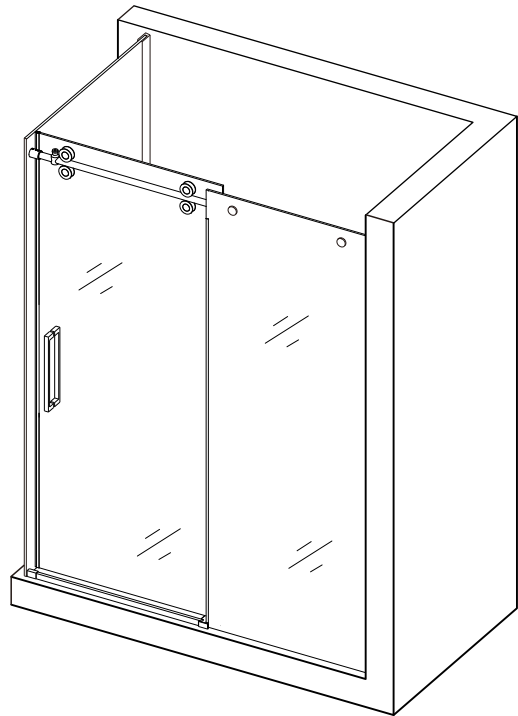
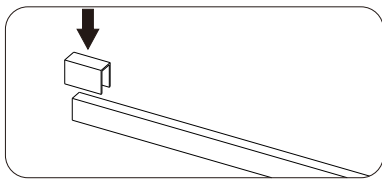
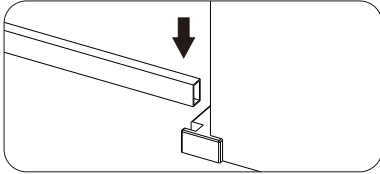
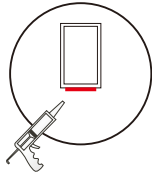
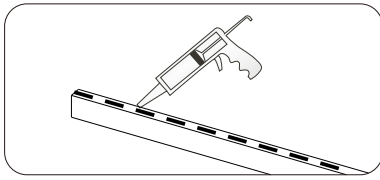
Please make sure that the glass door especially the door corners will not hit the walls when closed and opened



Step 7

7.1. The drip strip need to be siliconed underneath.

7.2. Install the drip strip.

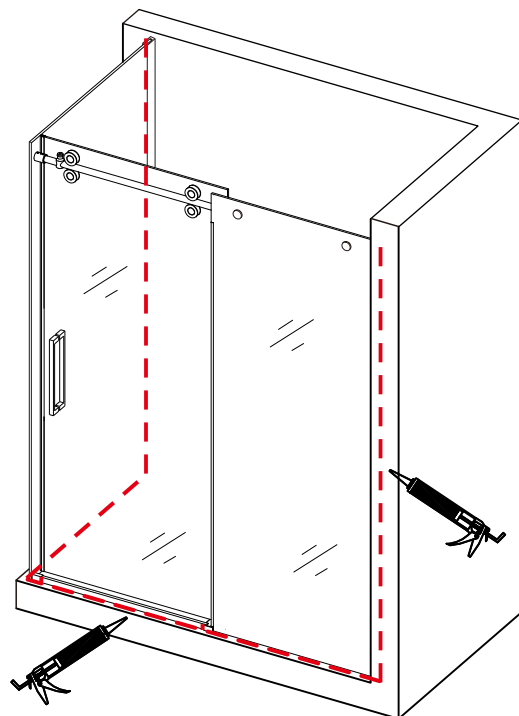


Step 8



Allow 24 hours for silicone to dry before use.

Silicone on the outside edge only



8.1. Apply the sealant on the seams between the bottom sealing strip and the shower tub; and between the stationary glass and wall.