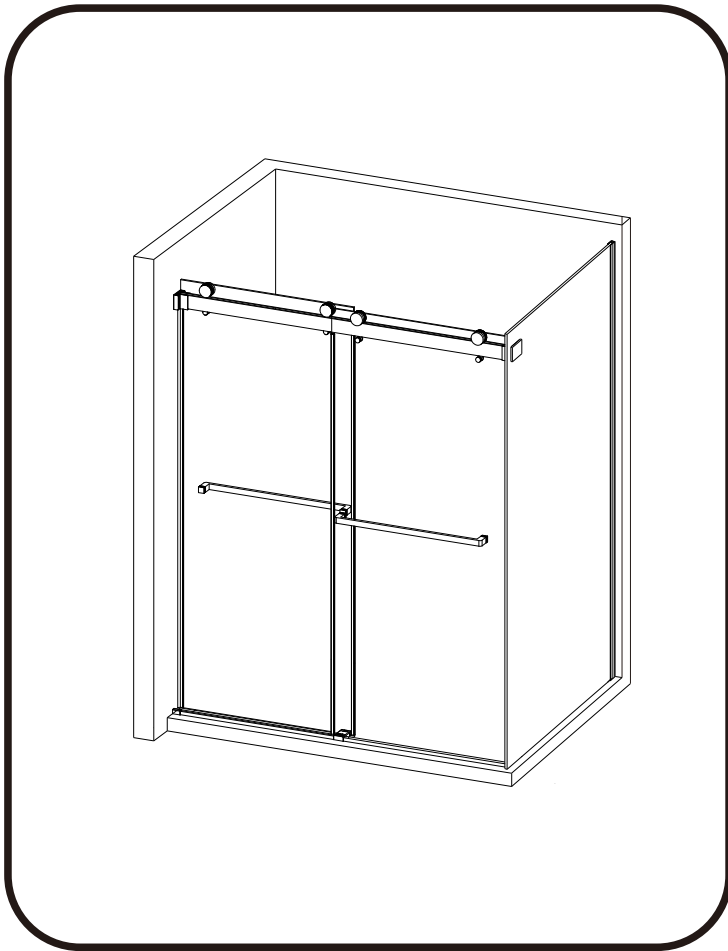


Model No:WAKA Dual Sliding Door

INSTALLATION INSTRUCTIONS



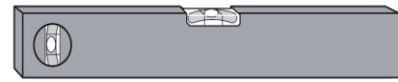
Tools Required



Drill



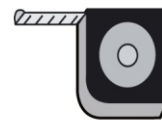
6mm Masonry Drill
3.2mm HSS Drill



Spirit level



Sealant Gun



Tape Measure



Pencil



**PH2 TYPE
Screwdriver**

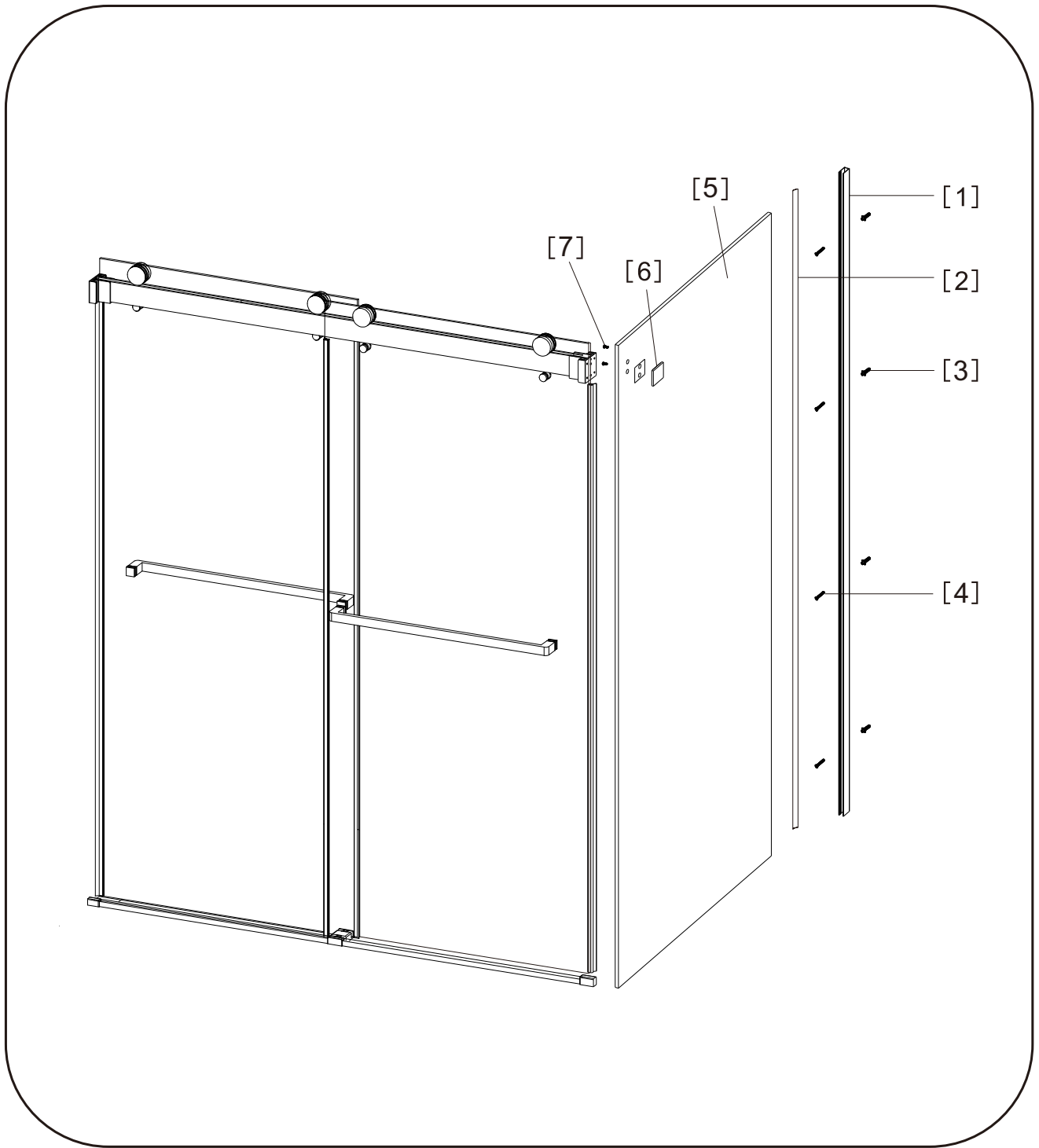
Please not hand tools **NOT** supplied.

IMPORTANT

These instructions assume that installation is done against solid/tiled walls.

The wall plugs supplied with the installation kit are for use on solid walls. Hollow or stud-partition walls will require alternative fixings. Please consult with a reputable trades person or hardware supplier for the correct type of fixing.

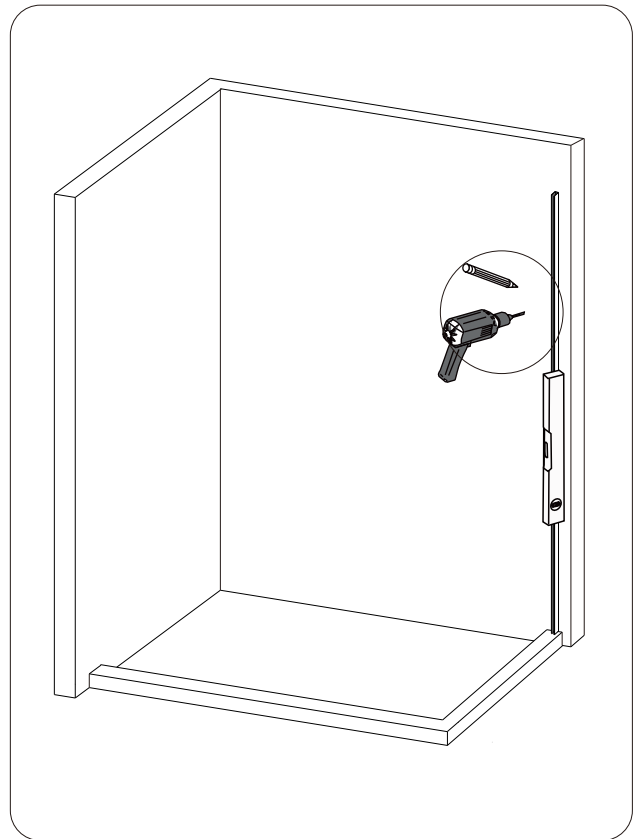
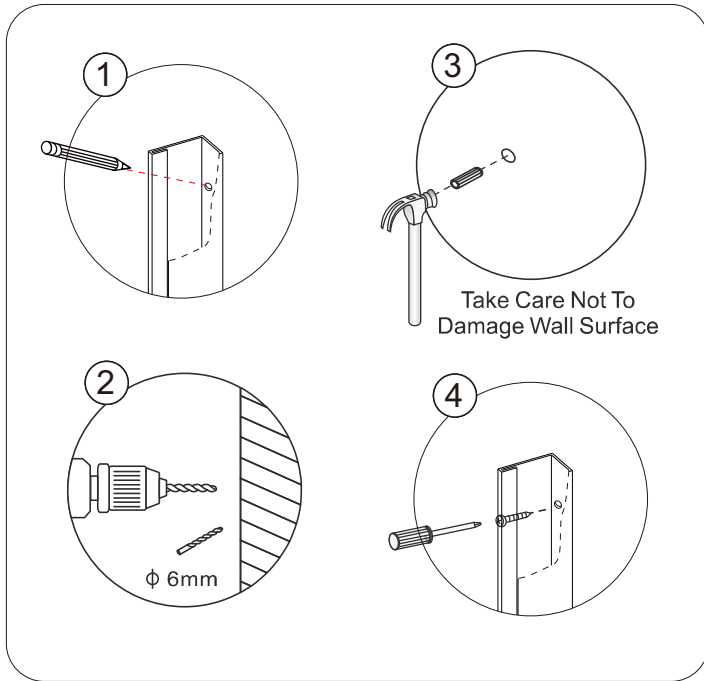
It may also be necessary to consult your tiling supplier about the correct method drilling your tiles.



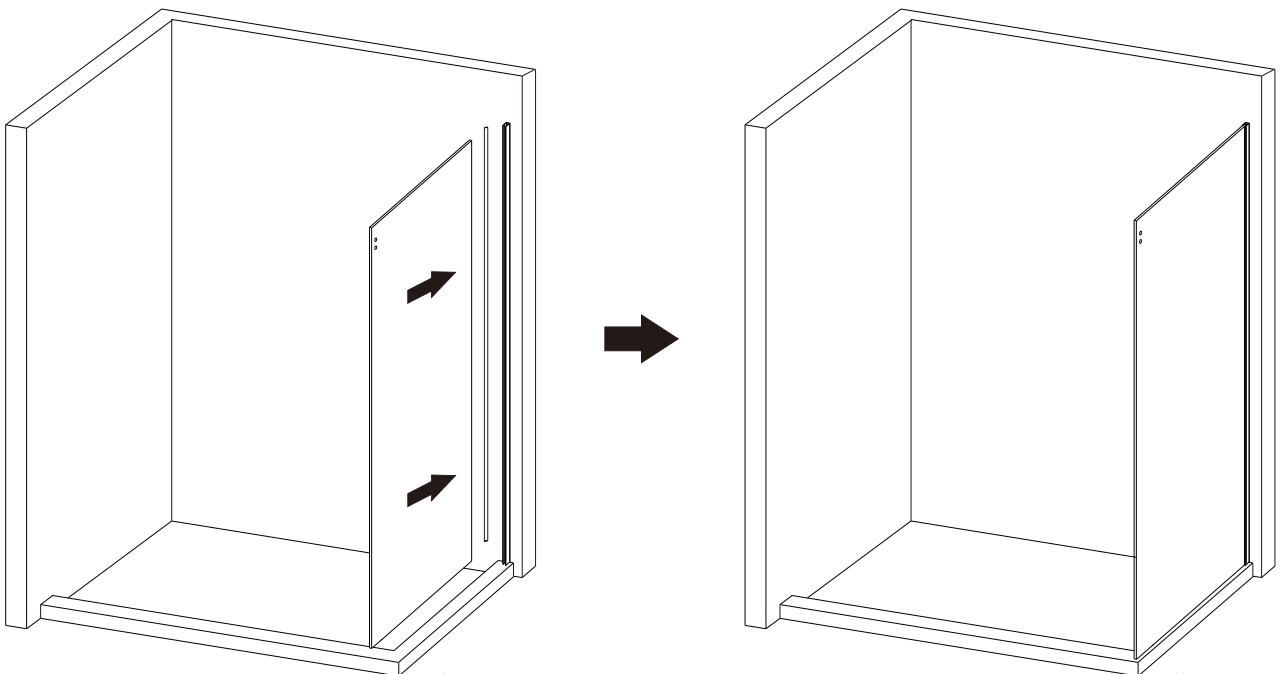
NO.	Description	Qty
1	Wall Profile	1
2	T Shaped Seal	1
3	Wall Anchor	4
4	Round Screw M4x30	4
5	Side Panel Glass	1
6	Side Panel Rail Bracket	1
6	Stainless steel screw M5x14	2

◆ Installation Steps

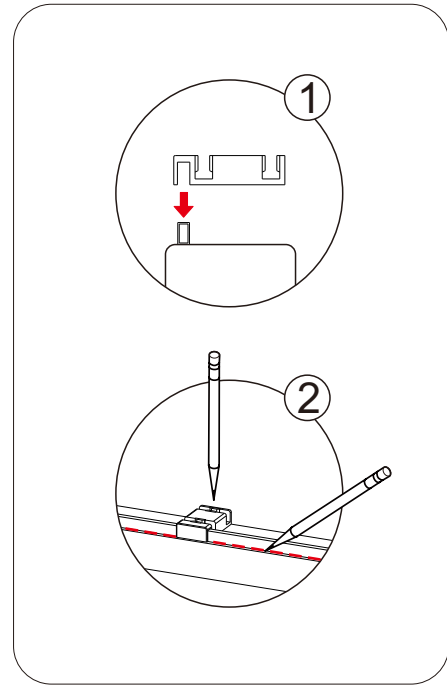
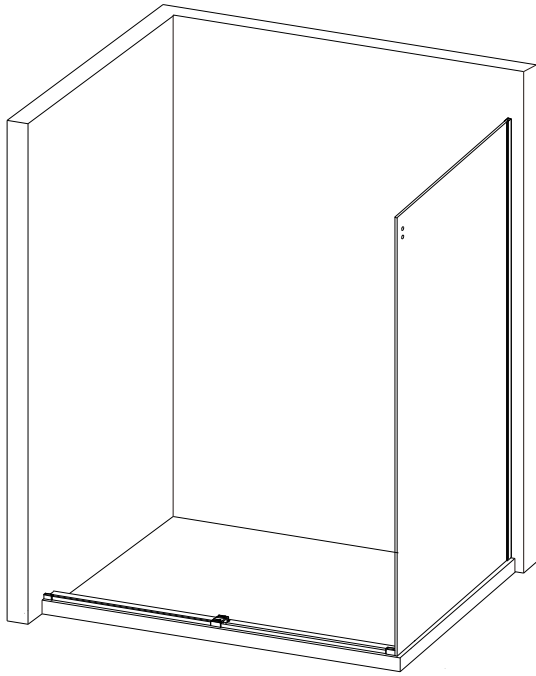
Step 1



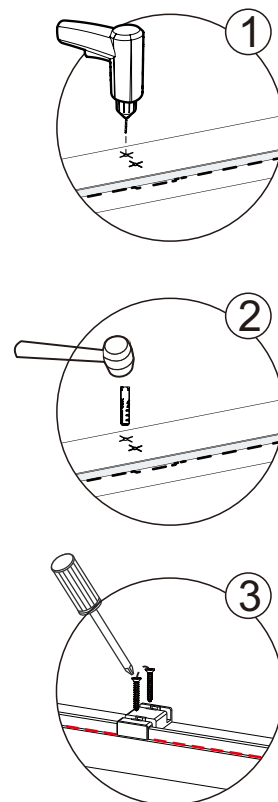
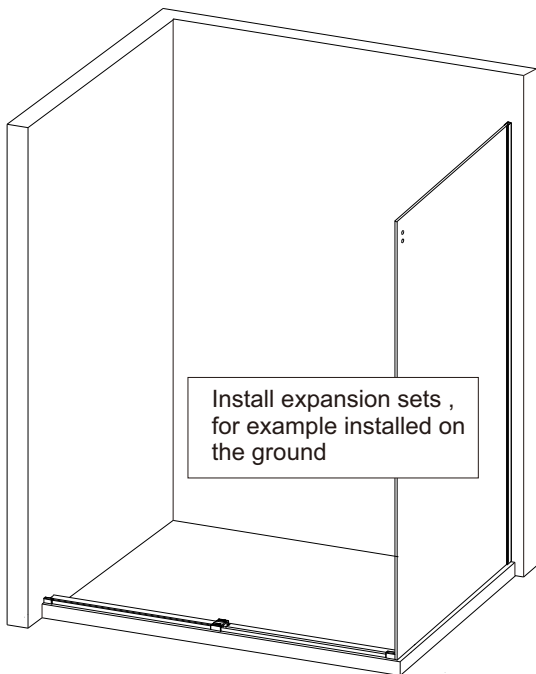
Step 2



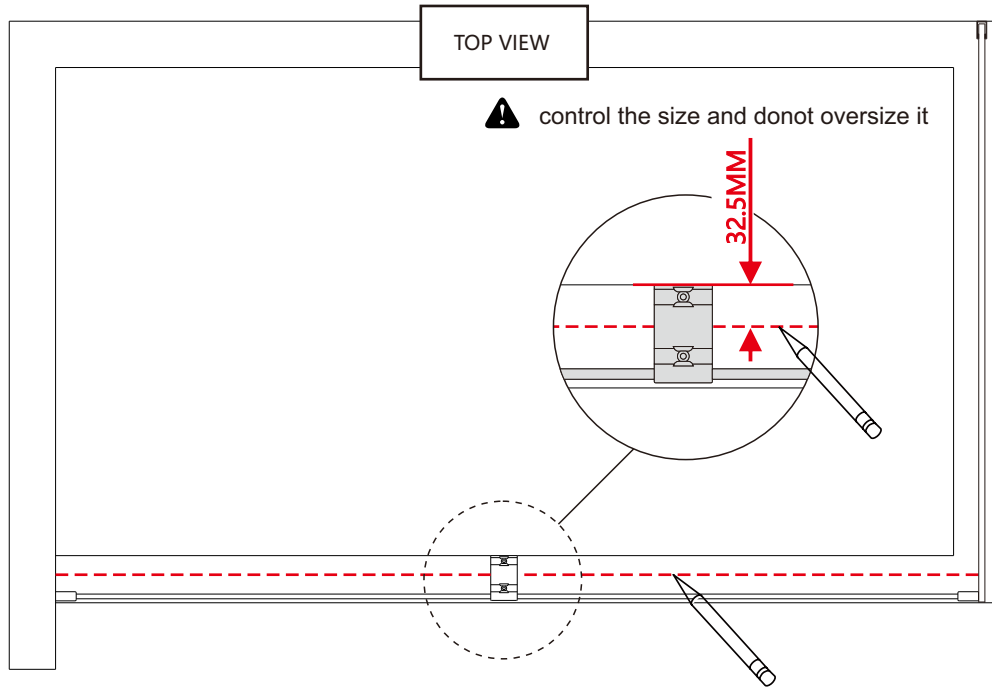
Step 3



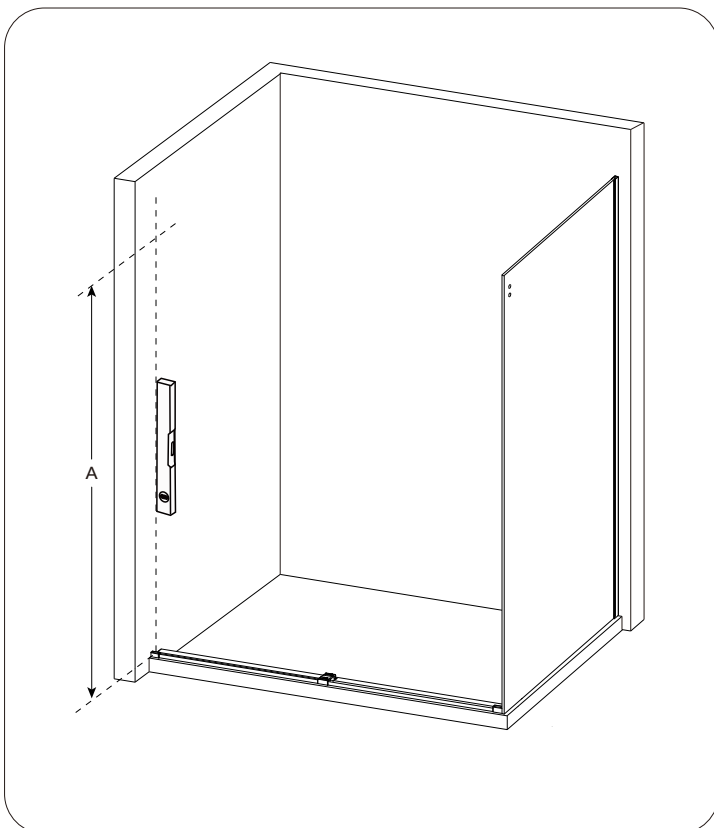
Step 4




Step 5



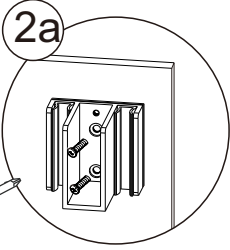
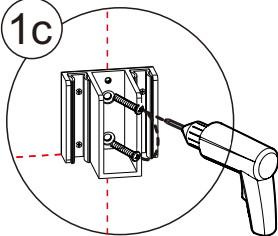
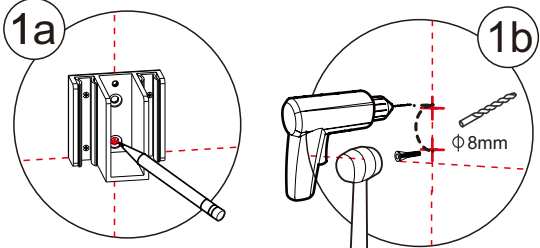
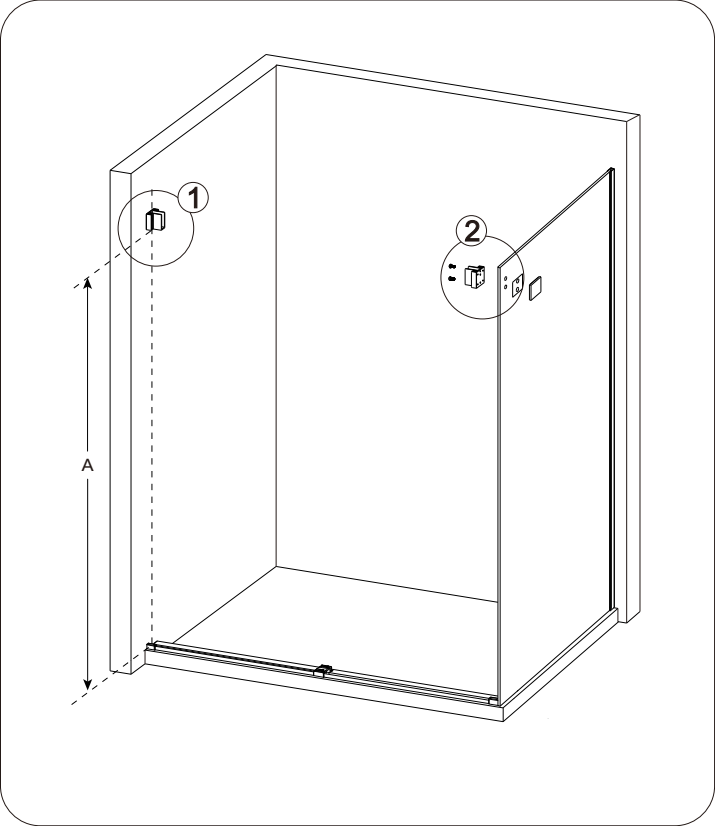
Step 6



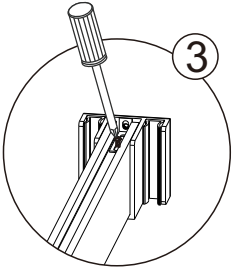
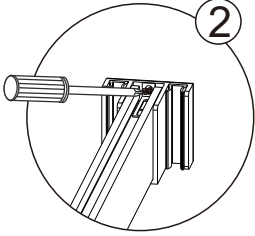
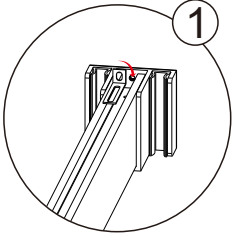
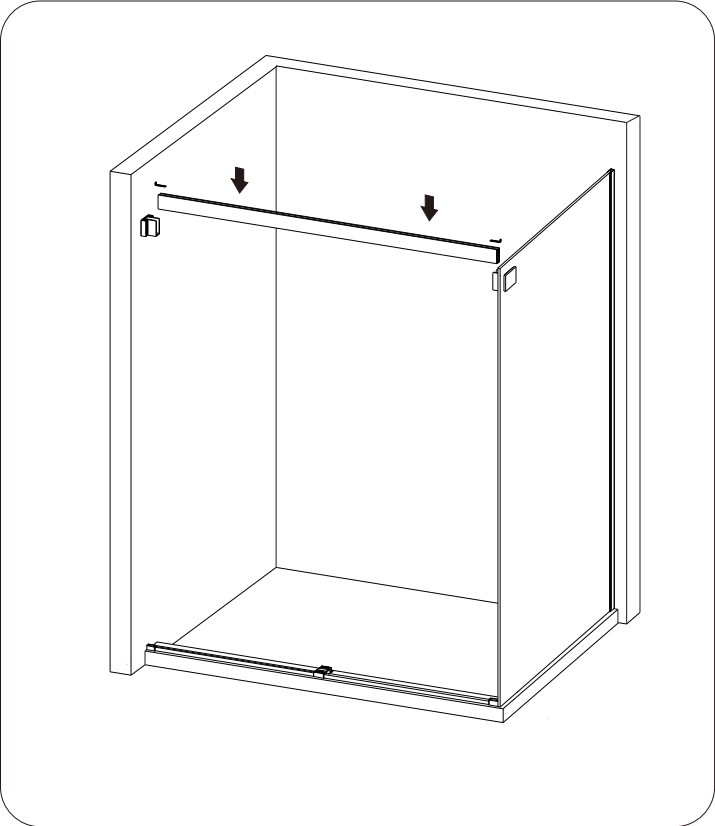
 UNIT HEIGHT	A
	MEASURE FROM BASE TO LOCATE THE WALL MOUNT BRACKETS.
2032mm	1919mm

⚠ control the size and donot oversize it

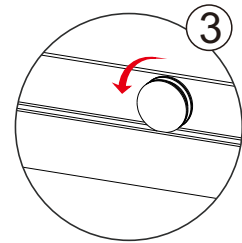
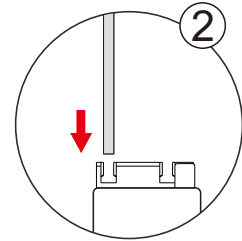
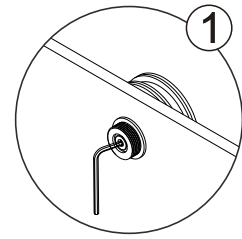
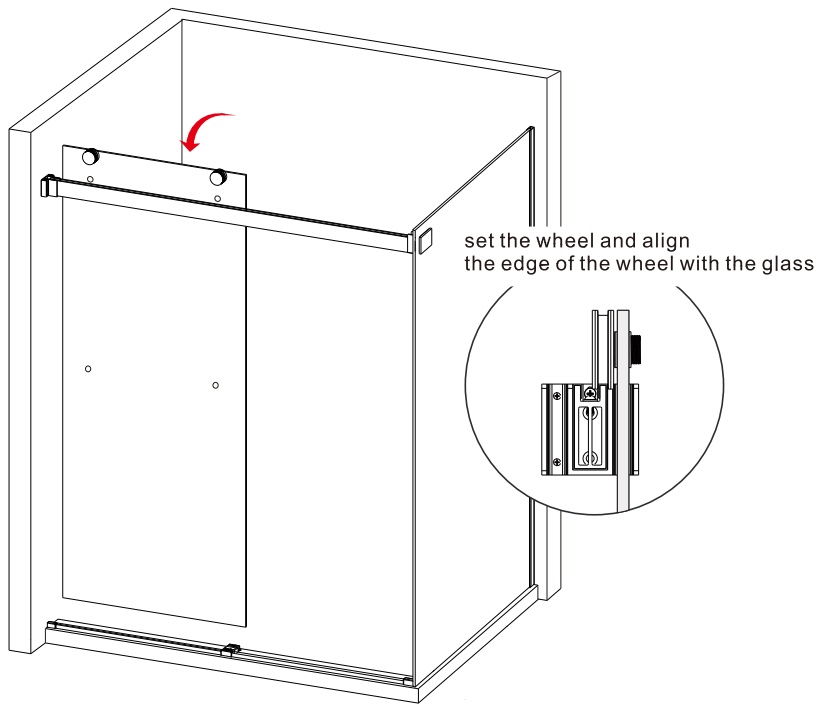
Step 7



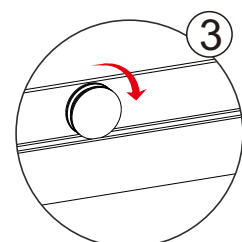
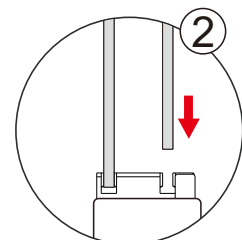
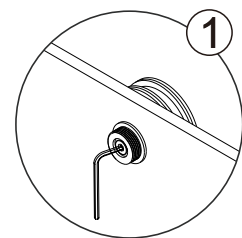
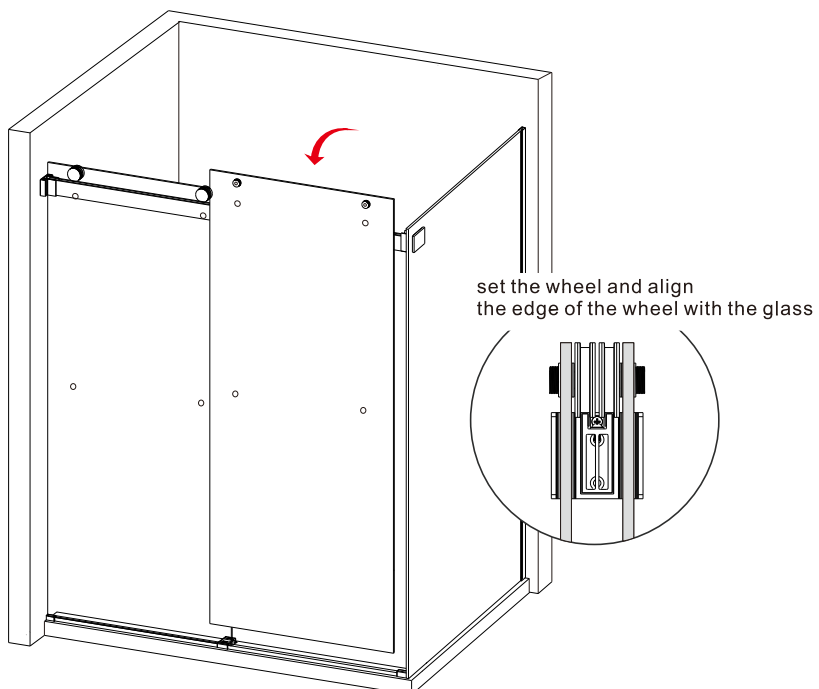
Step 8



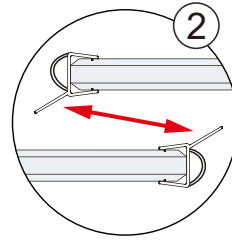
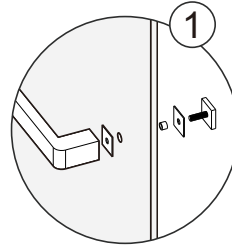
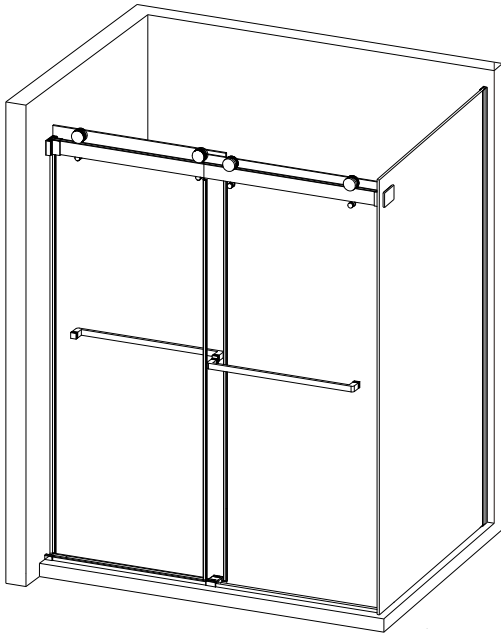
Step 9



Step 10

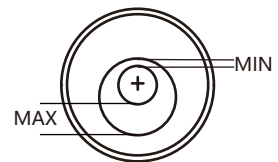
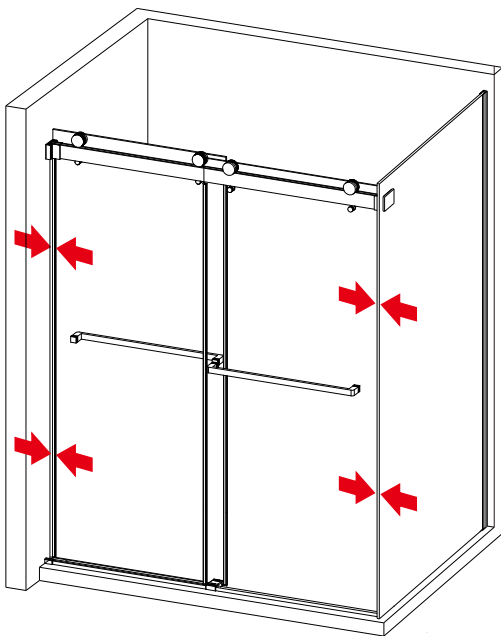


Step 11

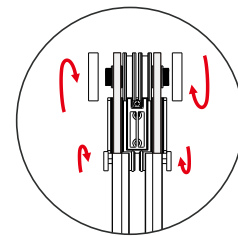


the soft edge of the strip is opposite

Step 12

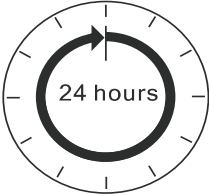
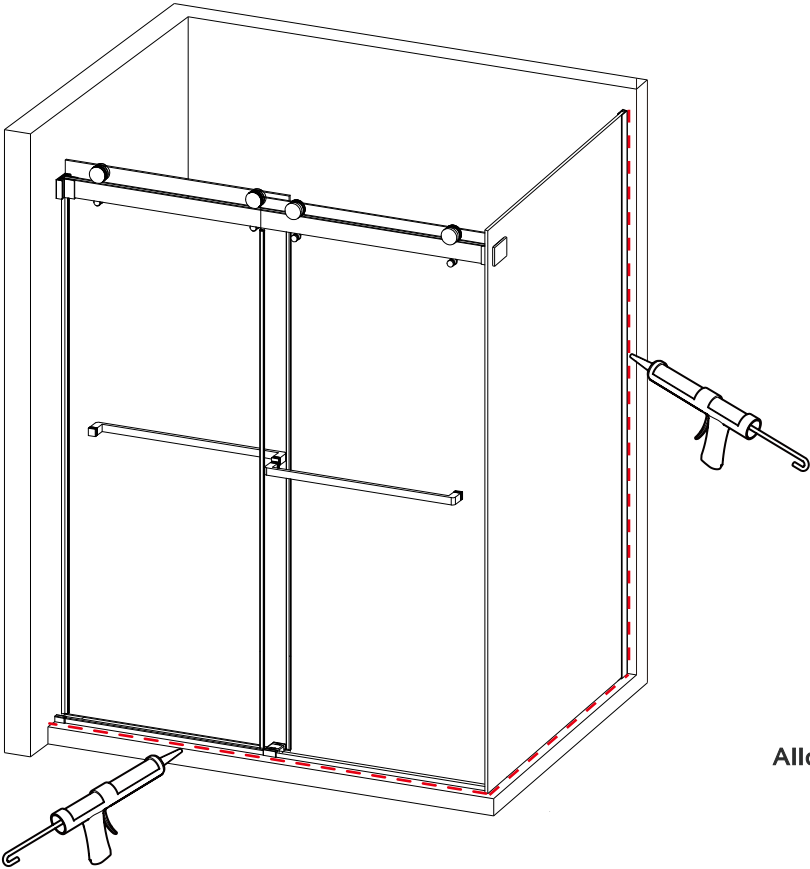


adjust the wheel so that the strip iron is flat on the wall



install the rear cover of the wheel and the jump preventer after adjustment

Step 13



Allow 24 hours for silicone to dry before use.
Silicone on the outside edge only