

COOKER HOOD

USER MANUAL

READ AND SAVE THESE INSTRUCTIONS MANUAL

CONTENTS

NOTICE	3
BODY SIZE.....	3-4
FEATURE	5
INSTALLATION REQUIREMENT.....	5-8
OPERATING INSTRUCTION.....	9
MAINTENANCE.....	10
TO REPLACE LIGHT BULB.....	11
IMPORTANT SAFETY INSTRUCTIONS.....	11-12
TROUBLE SHOOTINGS.....	13

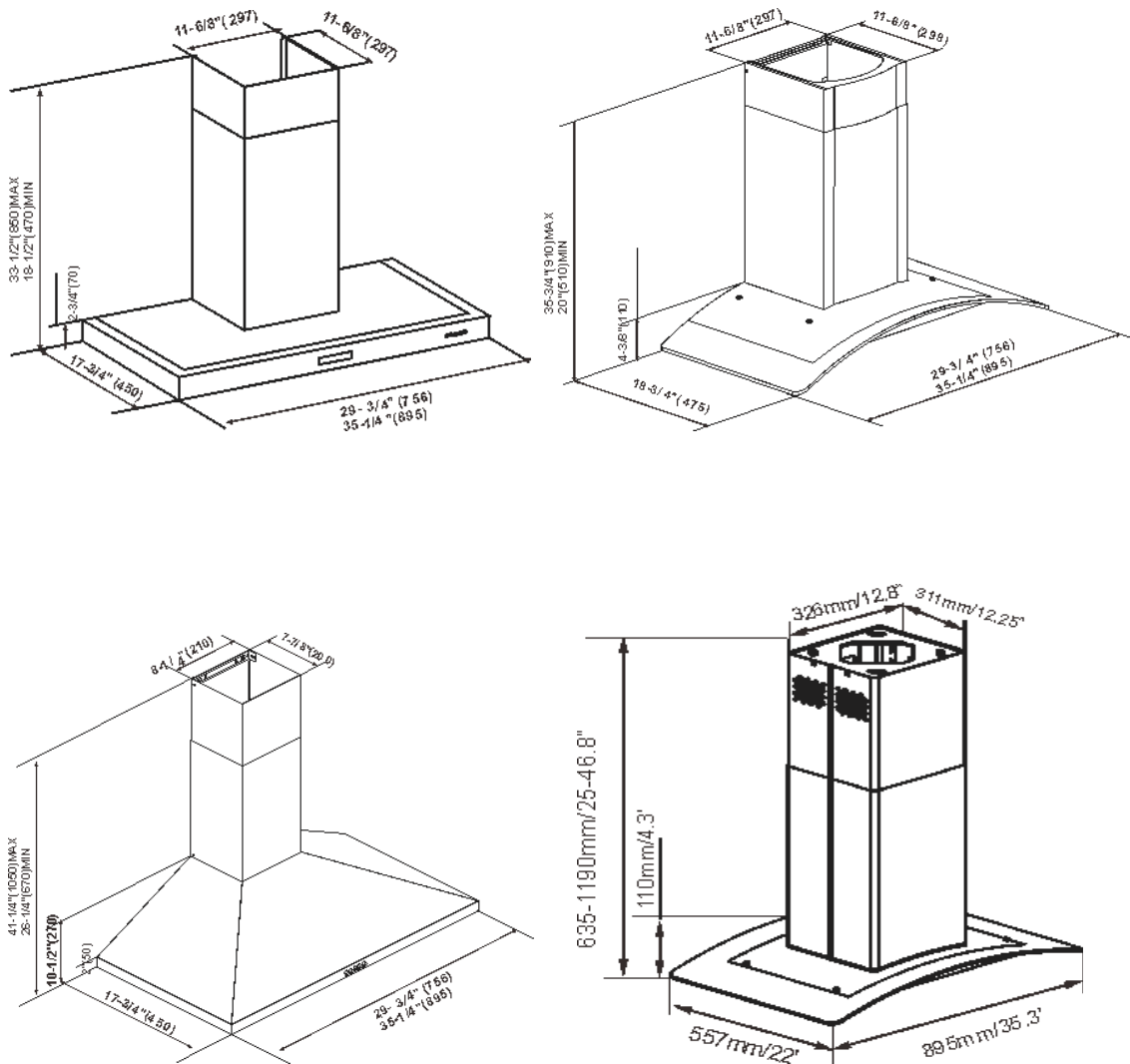


Please note that this product is marked with this symbol:
According to Waste of Electrical and Electronic Equipment (WEEE) directive, WEEE should be separately collected and treated. If at any time in future you need to dispose of this product, please do Not dispose of this product with house hold waste. Please send this product to WEEE collecting points where available.

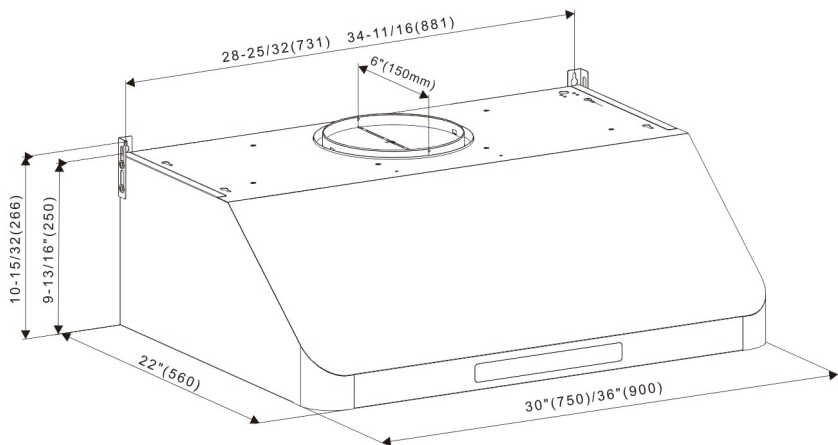
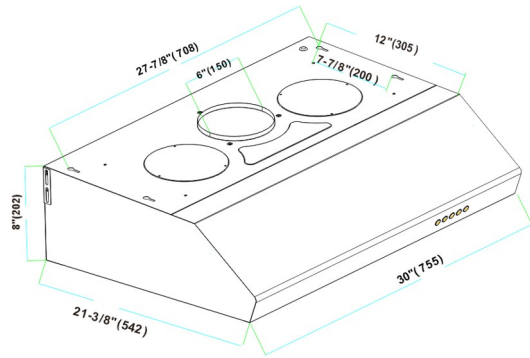
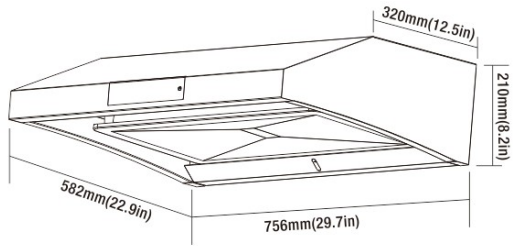
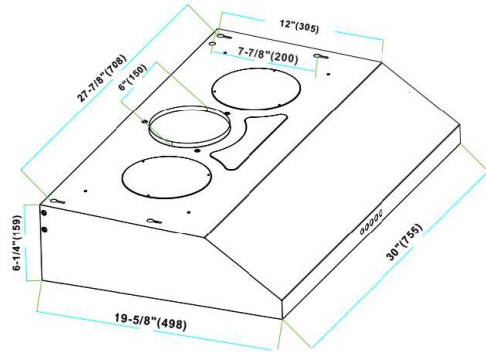
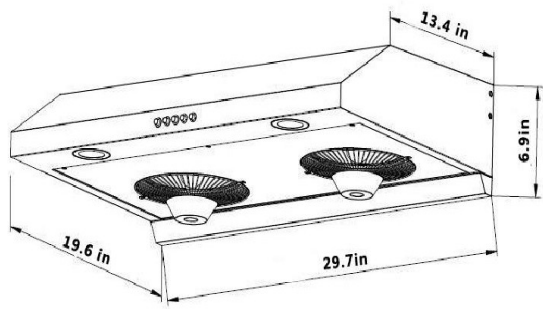
NOTICE

1. Thank you for choosing our cooker hood. Please read the instruction manual carefully before use.
 2. The installation work must be undertaken by a qualified and competent fitter.
 3. The manufacturer disclaims all liability for any damage or injury caused as a result of not following instructions for installation contained in the following text.
- The cooker hood is used on 110-120v/ 60Hz.

BODY SIZE:



Under Cabinet model

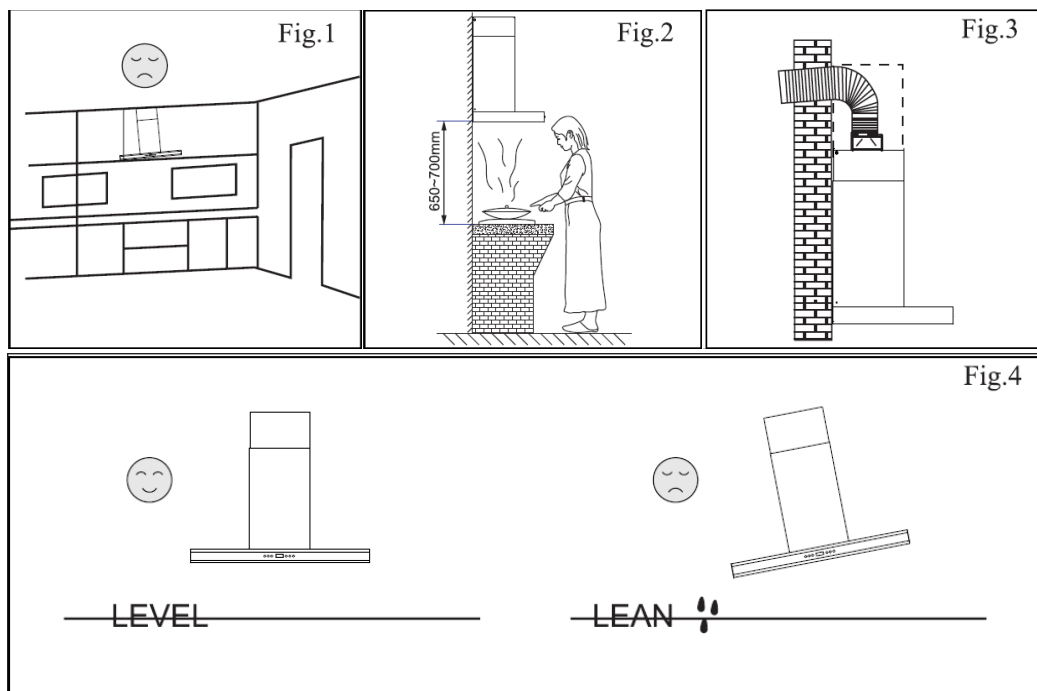


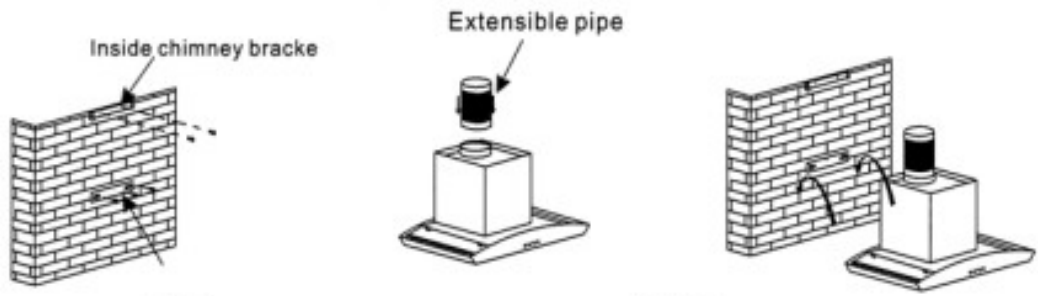
FEATURE

1. The cooker hood uses high quality materials, and is made with a streamlined design.
2. Equipped with a large power low noise electric motor and centrifugal leaf, it produces strong suction, low noise, non stick grease filter and easy to clean.
3. With the isolated low voltage circuit board control, 12vDC input, the lights are therefore safer.
4. Special wind tunnel construction and oil collector design, free dirt will be absorbed in a second.

INSTALLATION REQUIREMENT

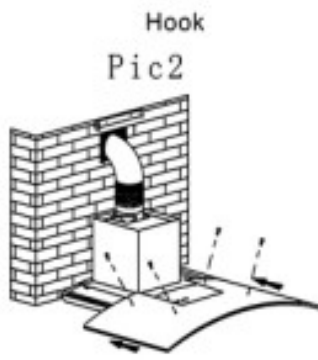
1. Do not install the cooker hood where there are many doors or windows in other to avoid to effecting the exhaust efficiency of the hood caused by air convection.(FIG.1)
2. Install the cooker hood right above the hob. The recommended distance between the hob and the lower edge of the cooker hood is minimum 650 mm and maximum 700 mm.(FIG.2)
3. In order to get the optimum performance, do not elongate the exhaust pipe too long, and try to make the bend of exhaust pipe less and biggest, ensure the connection is air proof.(FIG.3)
4. After hanging the unit on the wall, ensure the hood is level and vertical.(FIG.4)
5. The air outlet must not be connected to chimney flues or combustion gas ducts. The air outlet must under no circumstances be connected to ventilation ducts for room in which fuel-burning appliances are installed.



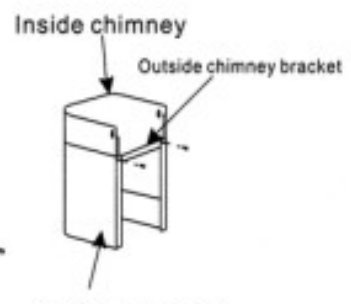


Hook

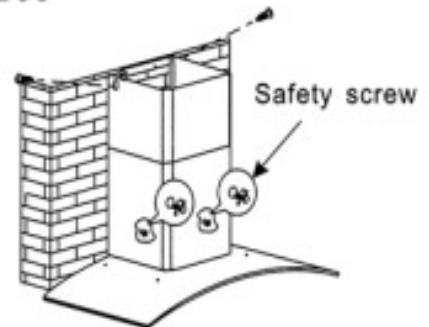
Pic3



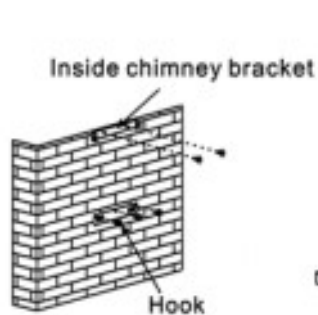
Pic2



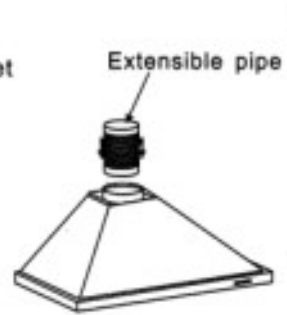
Outside chimney



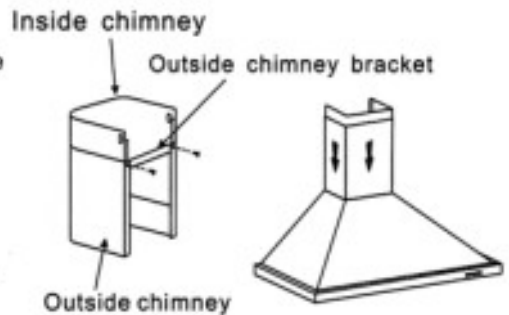
Pic5



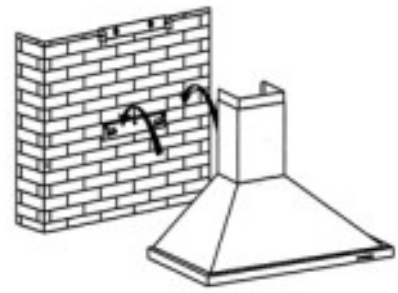
Pic2



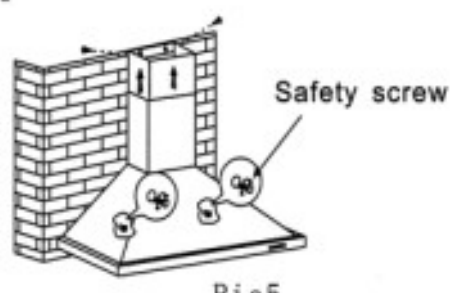
Pic3



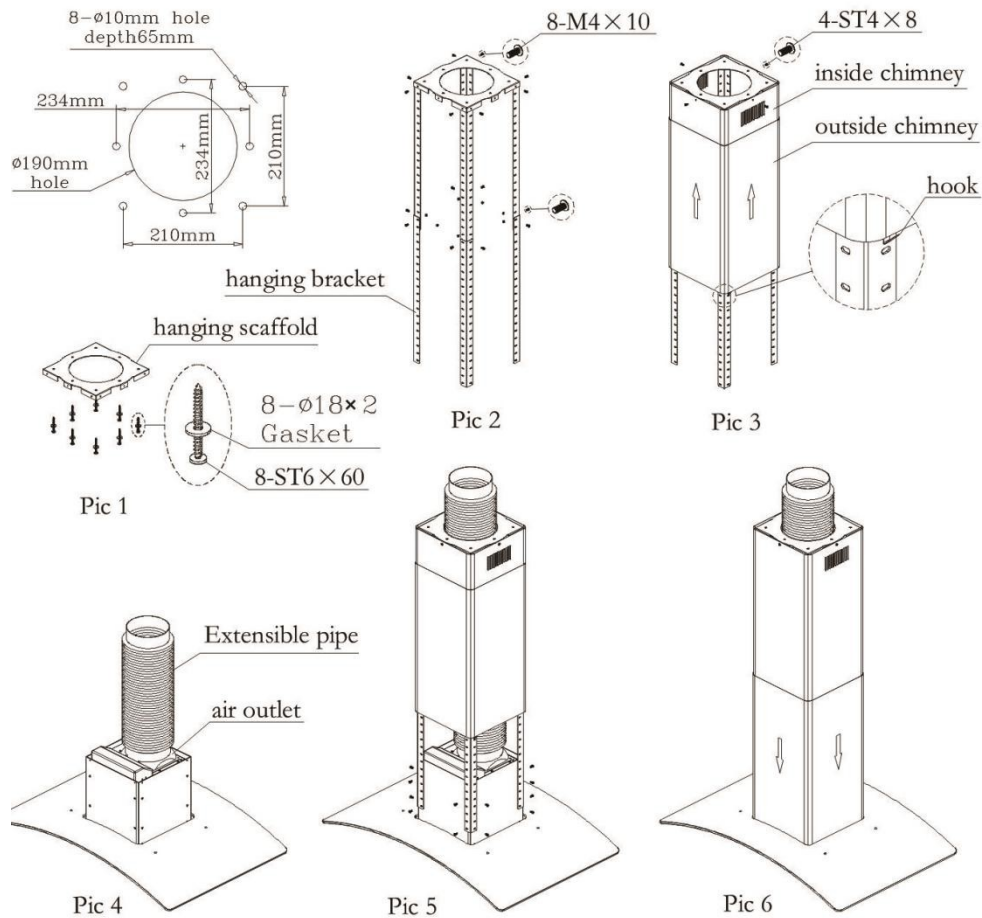
Outside chimney



Pic4



Pic5



Installation

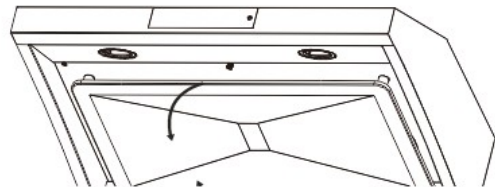
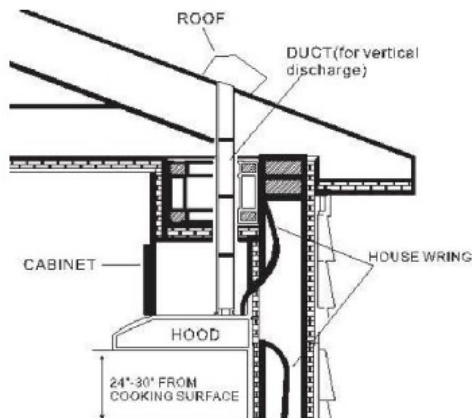
CONNECTION

This appliance can be installed in ducting version only.

1. Hold the filter catch and push downward to remove the baffle filter.

DUCTINGVERSION

The duct and the roof/wall cap should be sourced locally.

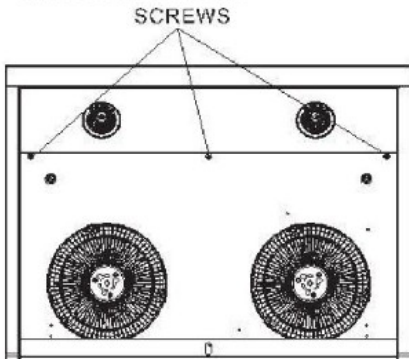


Run 6 in duct work between the hood location and the roof cap. For the best result, use a minimum number of transitions and elbows.

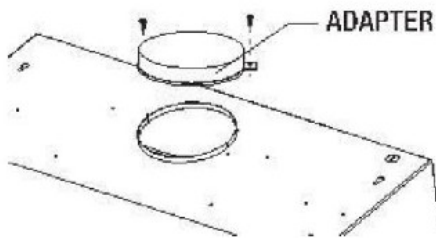
WARNING: To reduce the risk of fire, use only metal duct work.

INSTALLATION

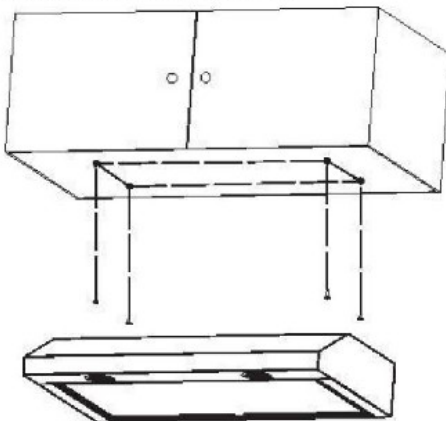
- Remove the bottom cover by unscrewing the three screws as shown.



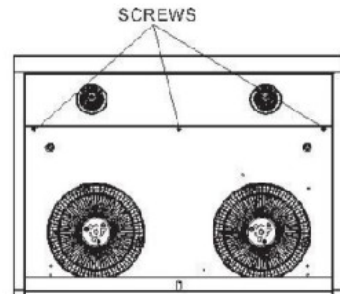
- Duct installation:
Vertically Discharge:
□ Attach round(6 in.) outlet adapter and securely fasten the adapter with two screws.



- Hold the hood in position under the cabinet. For ducted installation, make sure the outlet adapter enters ductwork and the damper opens and closes freely.
- Tighten four mounting screws completely to secure the hood to the cabinet.

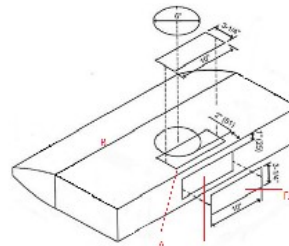


- Connect the house power cable to the range hood writing: Black to black, white to white, and green wire to ground screw.
- Reinstall the bottom cover to the hood with the three previously removed screws.



- Install the oil cups and turn on the power at front panel and test for proper operation.
- Replace the filter and turn on the power at front panel and test for proper operation.

Remark: Air outlet dimension and install as below:

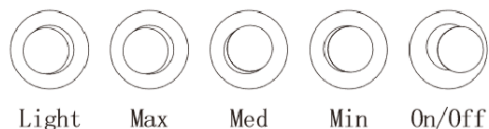


- If need to keep top circular air outlet, please tighten screws with "C" on back and tighten screws with "A" on top
- If need to keep back rectangle air outlet, please tighten screws with "D" on back and tighten "C" and "B" on top
- If need to keep top rectangle air outlet, please tighten screws with "B" and "D" on top and tighten "C" on back



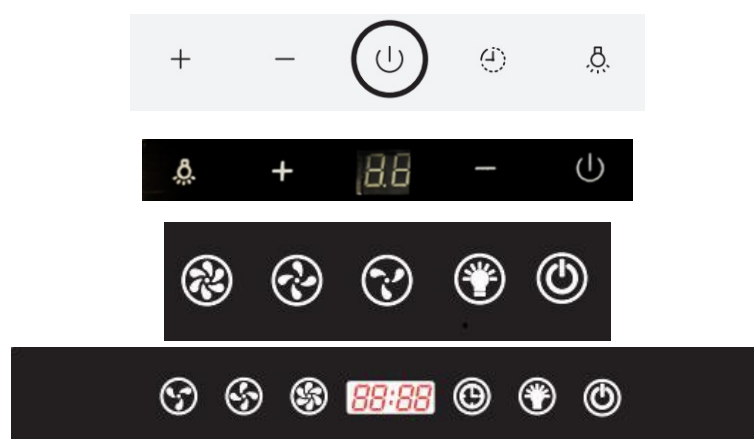
OPERATING INSTRUCTION

Push button



1. Push On/Off button, and the motor will stop.
2. Push the Min button, the motor runs at low speed.
3. Push the Med button, the motor runs at mid speed.
4. Push the Max button, the motor runs at high speed.
5. Push the light button and the two lights will turn on.
6. Push it again and the light will turn off.

Soft touch control



A: Lamp

Touch this button one time, the lamp will be lighted, touch again, the lamp will extinguish.

B: Speed control

Reduce / Increase the speed

C: Lamp

This range hood offers an upgraded illumination mechanism and has 2 light intensity levels. By touching the light button a low intensity is set. if you touch the button again, higher light intensity is set. By touching a third time, the light will turn off.

D: Power/OFF

When the cooker hood is working, touch this button one time, it will delay 60 seconds. The lamp can turn on/off and the speed can change in this mode. Touch again, then will turn off the cooker hood immediately.

When the cooker hood in timing shutdown mode, touch this button one time, it will exit timing shutdown mode and works in 60 seconds delay mode.

A B C G D E F



A/F:

When the palm is waved from the left induction area to the right induction area, the machine enters the fast speed and lighting turn on

When the palm is waved from the right induction area to the left induction area, the motor will auto off and lighting turn off

B:

Touch this button can turn On/Off the power of the machine

C/D:

When Power on , touch this button , can adjust the speed

E:

Touch this button can turn On/Off the lighting

MAINTENANCE

CAUTION: NEVER PUT YOUR HAND INTO THE AREA HOUSING THE FAN WHILE THE FAN IS OPERATING.

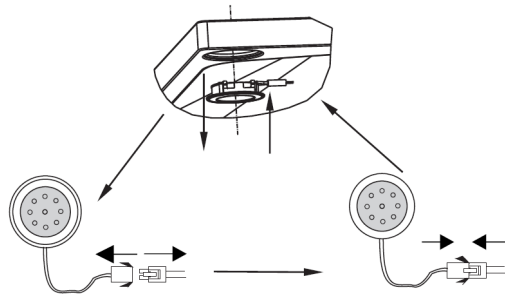
FOR THE OPTIMAL LEVEL OF OPERATION, CLEAN THE RANGE HOOD SURFACE, FAN AND ALUMINUMFILTER REGULARLY.

1. Use only mild soap or detergent solutions to clean the cooker hood surface. Dry surfaces using soft cloth.
2. Using a stainless steel cleaner to bring the glow back into a stainless steel finish.
3. Clean the filter once a week or according to use status. Press the buckle of the filter slightly, take off the filter and put it into warm soapy water using mild detergent, wipe the filter with soft brush. Replace the filter after it is dry.
4. Clean the motor fan and other inside parts once half year or according to use by QUALIFIED PERSON.
5. DO NOT cleaning motor with water or other liquid.

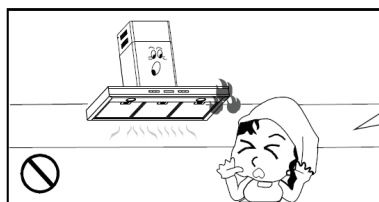
TO REPLACE LIGHT BULB

Caution: LED lamp can not replace a new bulb, just can replace a new LED Lamp. Make sure all the control switches are off, and the cooker hood is unplugged ! please follow below instructions:

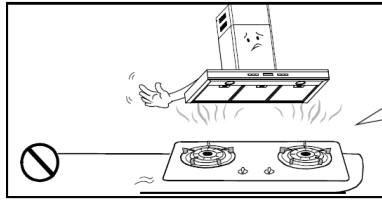
1. Take out the filters, and cut off wire connection of the lamp.
2. Press the spring according to the arrow direction, then you can take off the lamp unit.
3. You can replace a new LED lamp unit no more than rating !
4. Then put the lamp unit to the hood in reverse direction. Connect the wire of the lamp. Fit on the filters.



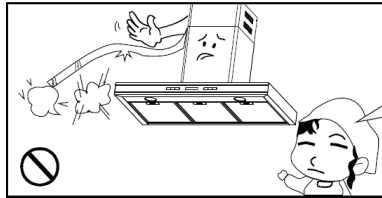
IMPORTANT SAFETY INSTRUCTIONS:



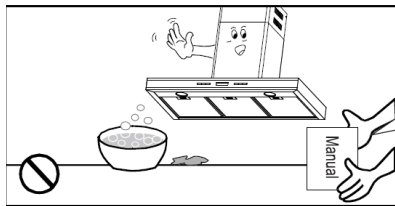
Do not connect the air outlet to chimney flues or combustion gas ducts.



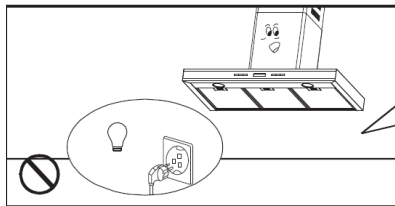
Do not leave unattended flames under the hood



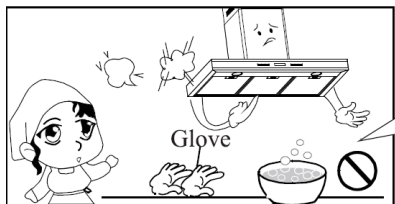
In case of any damage to power cable, replace the broken cable with a new one by qualified person.



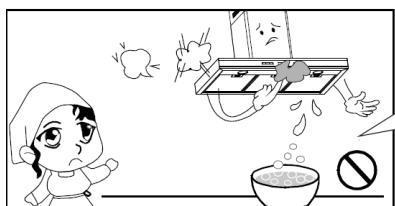
Cleaning the cooker hood should be undertaken by a qualified electrician or a competent person in accordance with this instruction manual.



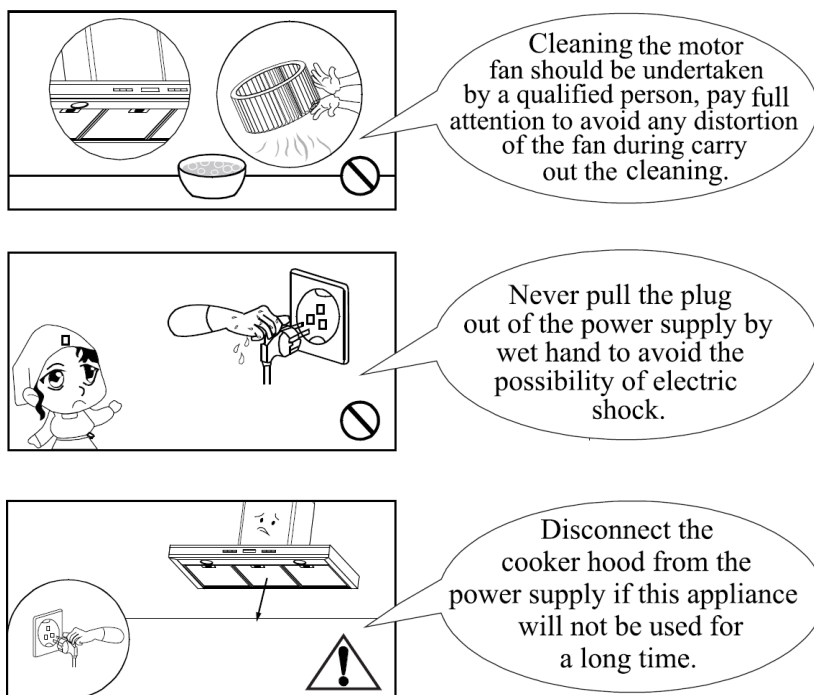
To replace the bulb should be undertaken by a qualified electrician or a competent person. Always use the bulb no more than rating.



Dress the protective glove before you start to clean the hood. Remove the components gently during carrying out the cleaning.



Never wash the control switch with water or other kind of liquid as the liquid might cause electrical problem to the hood.



TROUBLE SHOOTINGS

CAUTION: Disconnect the power supply before servicing.

STARUS	CAUSE AND METHOD OF REPAIRING	TOOL
The power supply is damaged	If the power supply is damaged, please call the technicians to repair.	"+"type Screwdriver Sharp Pincers
The motor does not run	A) The motor was broken, replace a new motor assembly. B) The switch control was broken, replace a new motor assembly. C) The capacitance was broken, replace a new motor assembly.	"+"type Screwdriver
The unit body shake	A) The installation is not firm enough. Check it and make sure the hood is firm enough. B) The fan is broken, so it is not balance. Replace a new motor assembly. C) The motor does not firm enough. Check it and install it firmly enough.	"+"type Screwdriver
Big noise	Some other things drop to the blower. Check and clean it.	"+"type Screwdriver
Suction not so powerfull	A) The distance from the range hood to the gas cooker is too big. Make sure the distance is about 650-700mm. B) There are many windows or doors in the kitchen, the air convection is too big. Close some doors or windows, smaller the air convection. C) The have some other pour wind to the exhaust pipe. Make the exhaust pipe's exit to downwards.	"+"type Screwdriver

	D) The run rate of motor decrease obviously. Replace a new motor or capacitance. Because of the range hood is set upon the window, the best solution is that put one three ply board on the back of the range hood for covering the hollow of window.	
Bulb does not work	Replace with a new LED lamp assembly.	“+”type Screwdriver