

Specification

Model	A8808
Voltage	Non-electric
Water Supply Mode	Connect to the cold water supply pipe directly.
Angle of Nozzle	Non
Water Temperature for Self-cleaning	Cold water
Self-cleaning	YES
Water Temperature	1°~ 35°
Room Temperature	1°~ 40°
Water Pressure	0.07 MPa ~0.8 MPa
Distance between Holes Axis	100 ~ 220 mm
Item Size	402x249x120.5mm

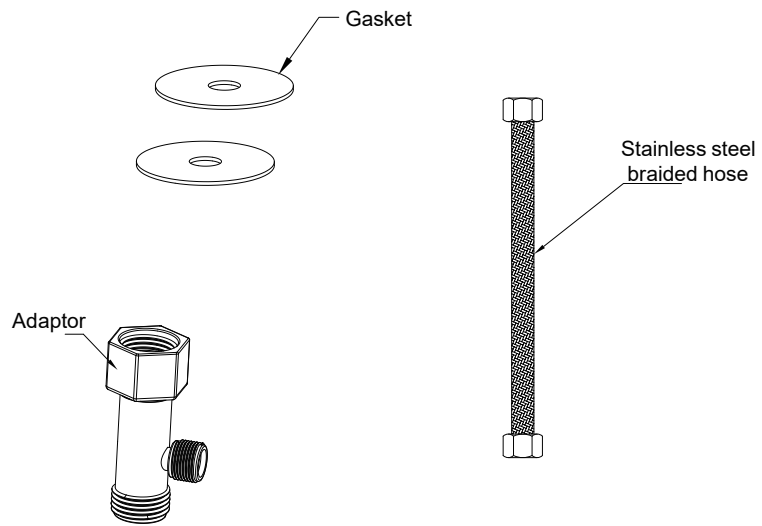
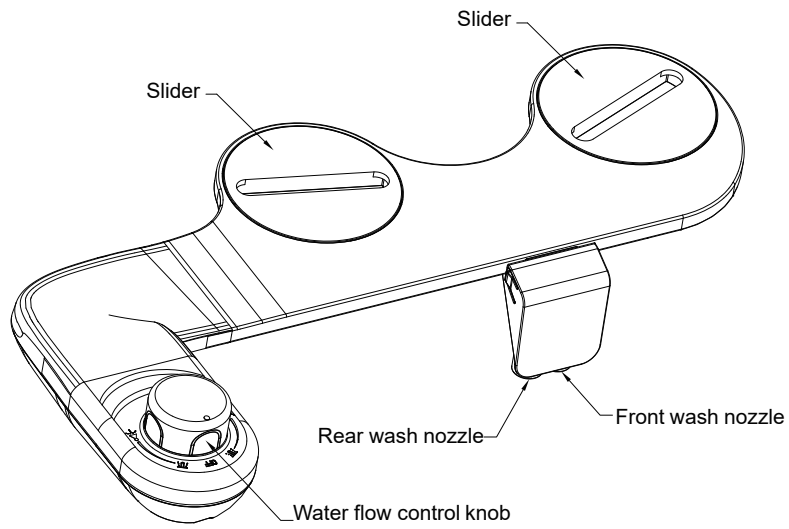
Trouble Shooting

Issues	Measures
The spray nozzle have no water	<ol style="list-style-type: none">1.The water supply is cut off2.The water valve is closed3.The spray nozzle is clogged4.Low water pressure5. Water supply pipe is bended
Low water pressure	<ol style="list-style-type: none">1. The water flow control knob is adjusted to be low position2. Water supply pipe is bended

Installation Instruction

A8808 Cold Water Bidet

Components List



Installation Steps

