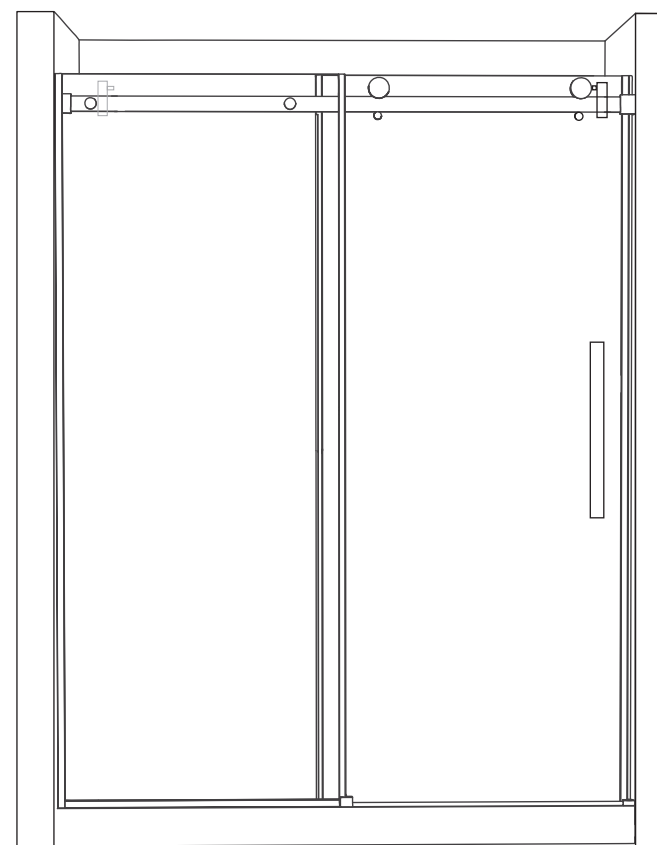
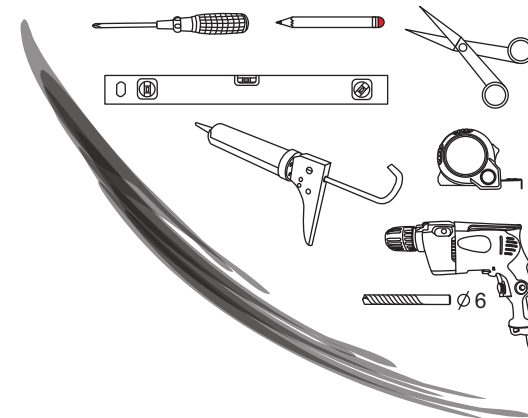
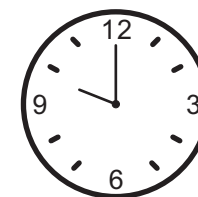
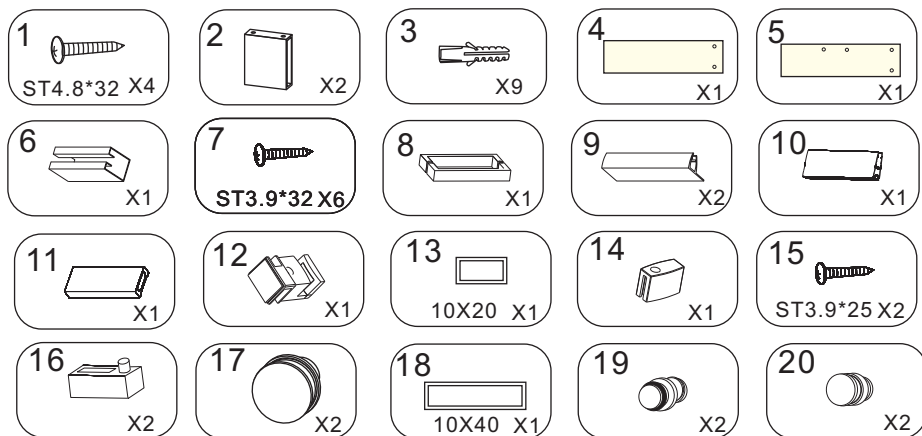
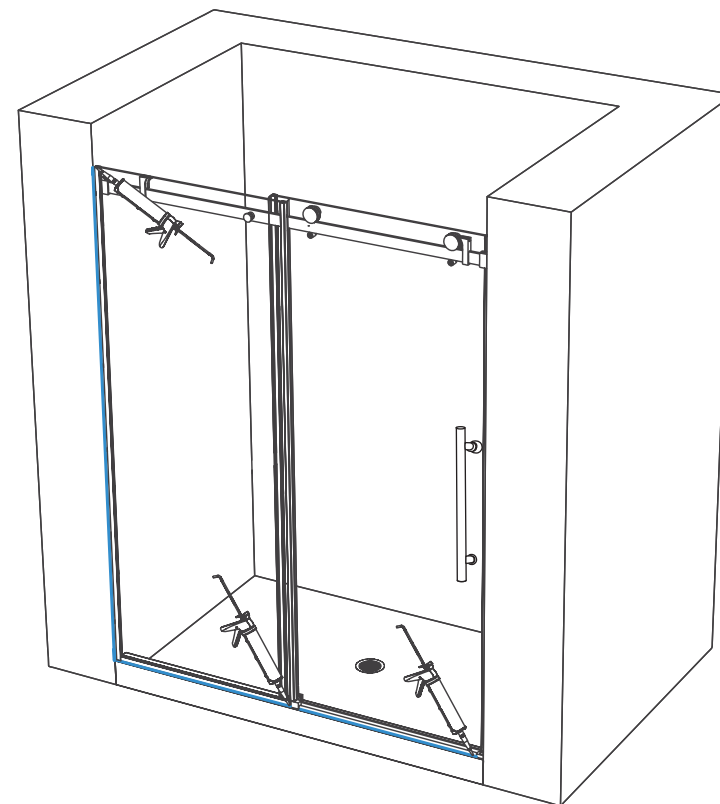
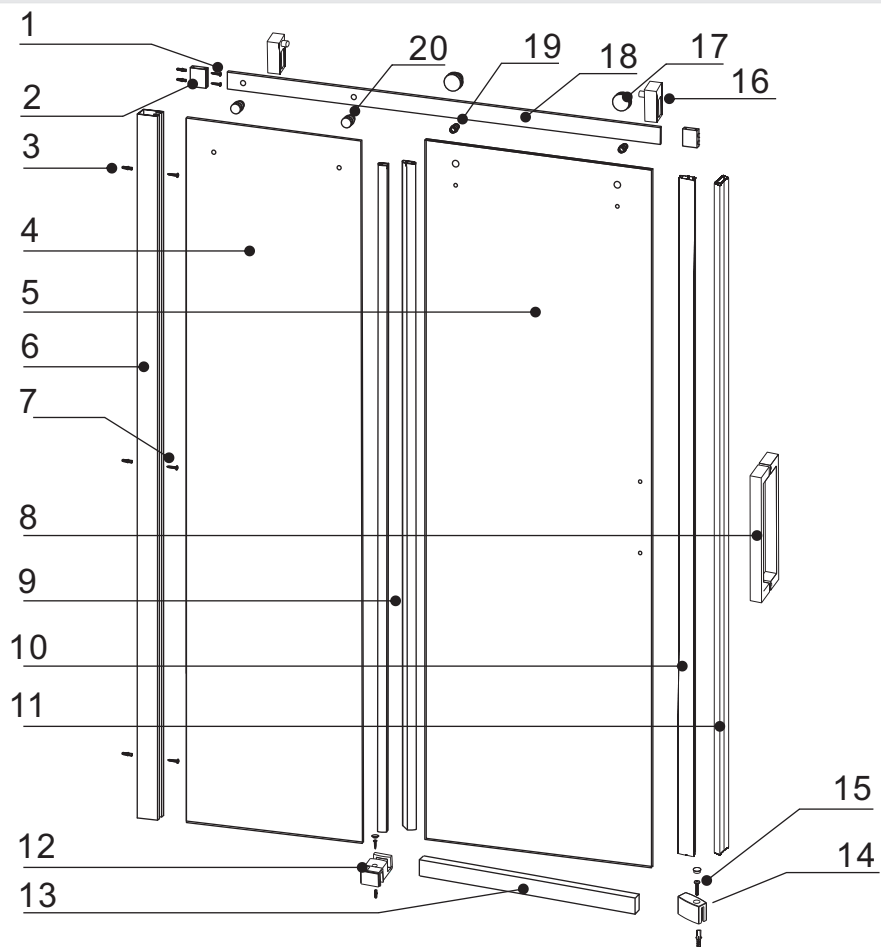


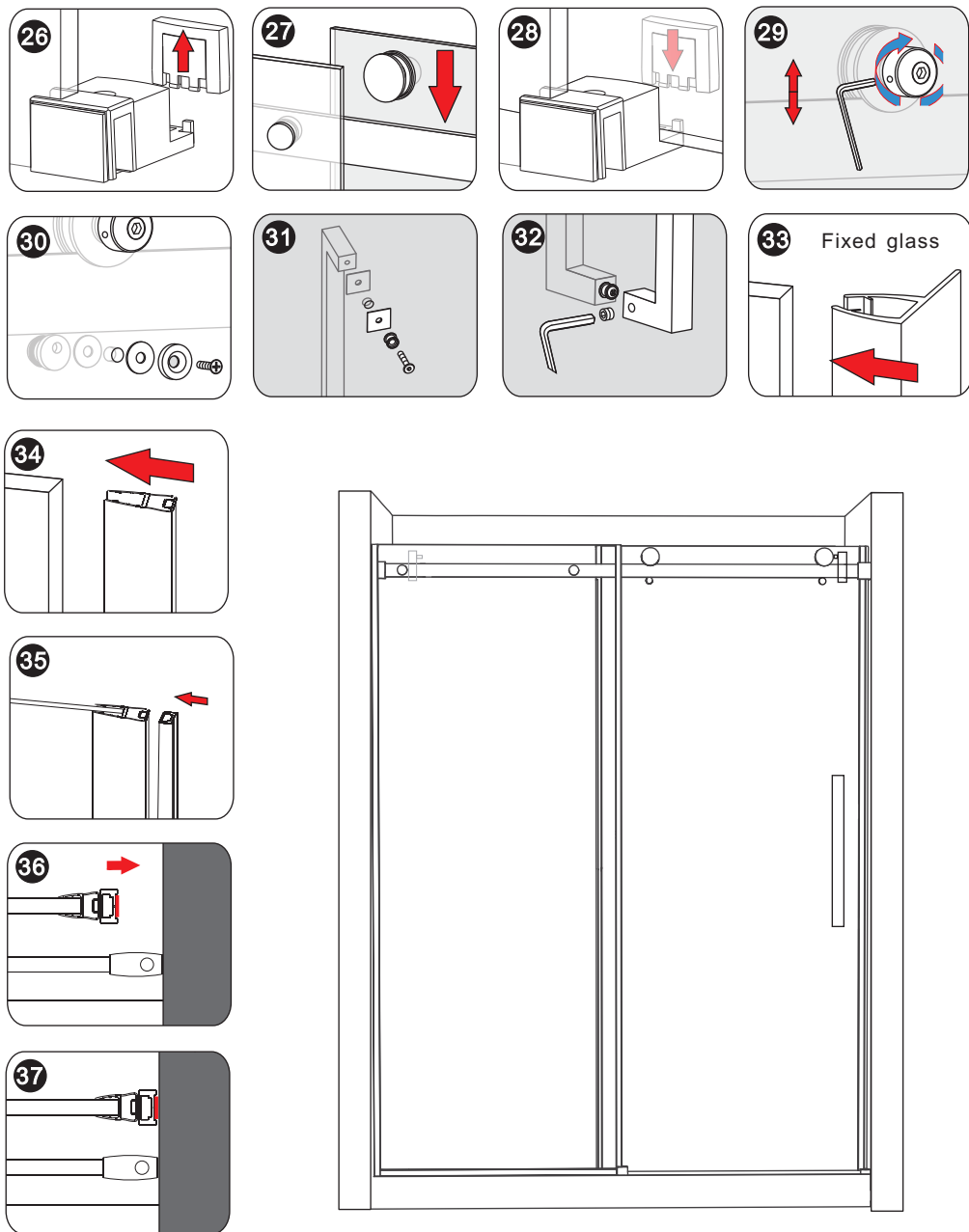
Attentions and maintenance

- 1: Please keep the base clean, avoid hairs or dirties block up drainage pipes. If some water scale on the surface of bases, please use soft wet cloth with tooth paste to clean.
- 2: Please do not use acidic、alkaline or organic solvent (such as alcohol、thinners、ammonia water、acetone and so on) to clean the surface of products, suggest using neutral alcohol to do cleaning.
- 3: For plated items, use soft cloth to clean, do not use tough cloth.
- 4: Alloyed aluminium maintenance: For oxidation coloring (such as golden、matt silver、chrome、polished), do not use tough cloth to clean, can not scratch the surface with sharp objects; If some dirties on the surface, please use alcohol to clean.

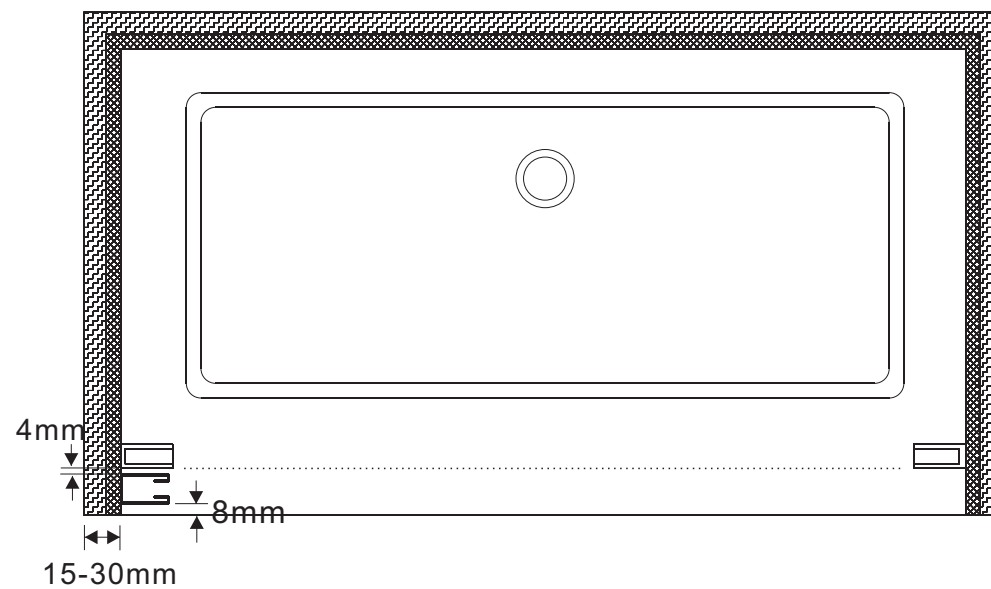
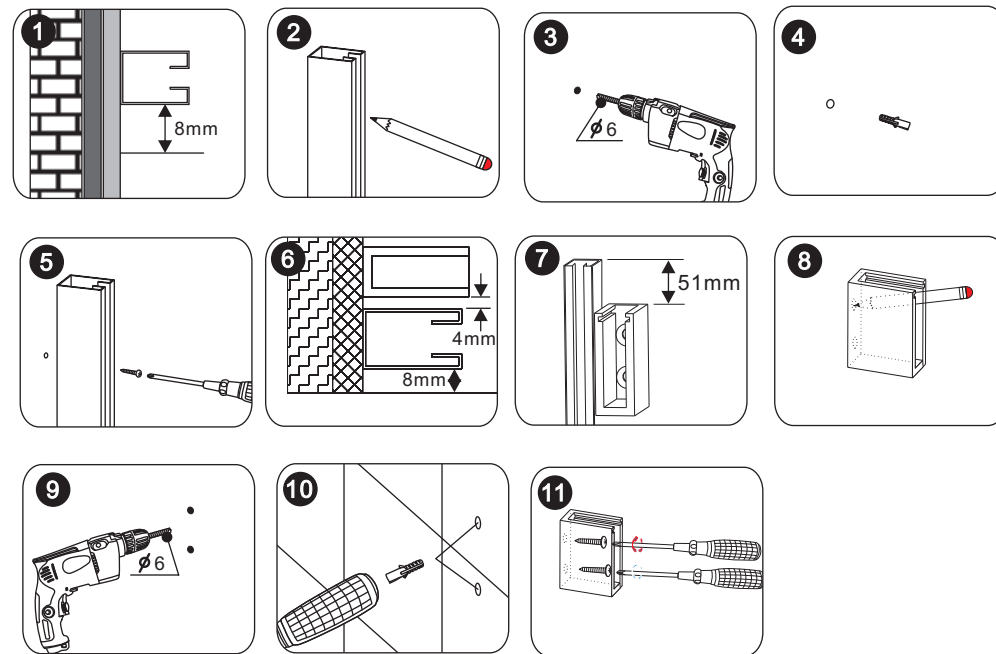


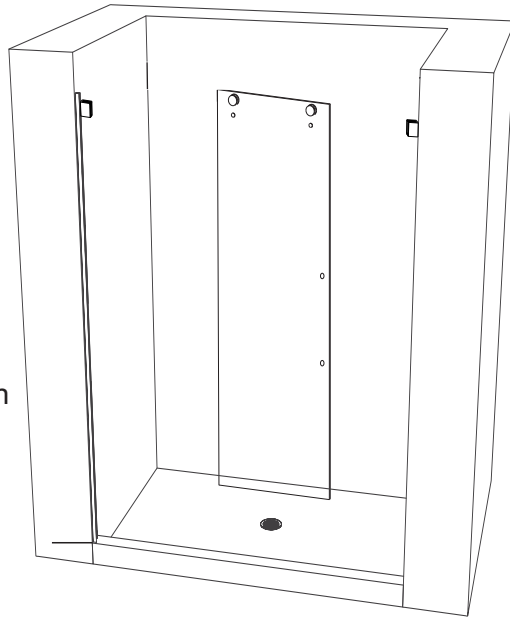
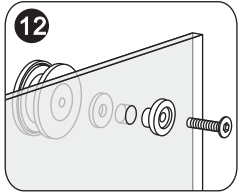


Attentions:
 Showering is banned within 24 hours after silicone; If bad weather such as rainy days or in winter, longer time is needed.



CONTINUED





The movable door is placed inside the shower room
Pay attention to the direction

