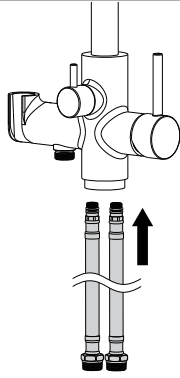
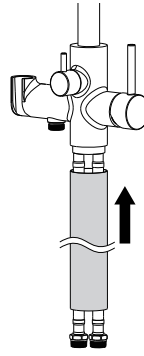


1



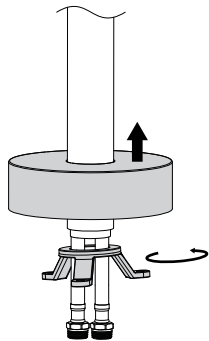
Hand tighten the hot and cold flexible water supply line onto faucet body.

2



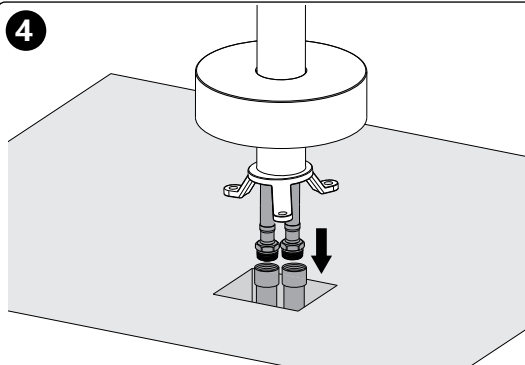
Insert faucet body assembly onto the faucet tube from the top and hand tighten it. Make sure the flexible water supply lines go through the tube smoothly.

3



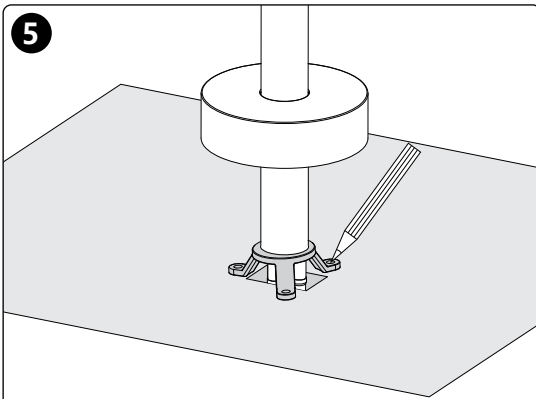
Insert the faucet tube into the base cover. Thread the tube onto the mounting tripod.

4



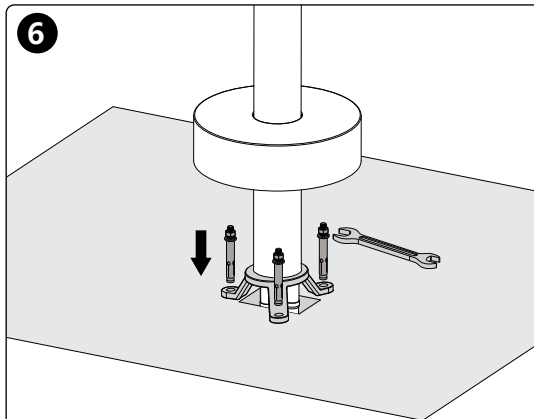
Locate the faucet assembly onto the rough valves from floor, and secure the connection of inlet supply lines to the valves. **DO NOT** reverse the Hot and Cold supply.

5



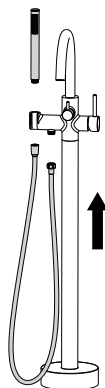
Using the mounting piece as a template, mark the positions of the screw holes.

6



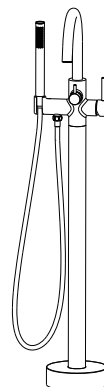
Use the explosive screw to fix the base on the floor and place the base cover over the valve.

7



Install hand shower and hose, check for any leak between hose connection and hand held shower

8



Finished.