

## INSTALLATION MANUAL

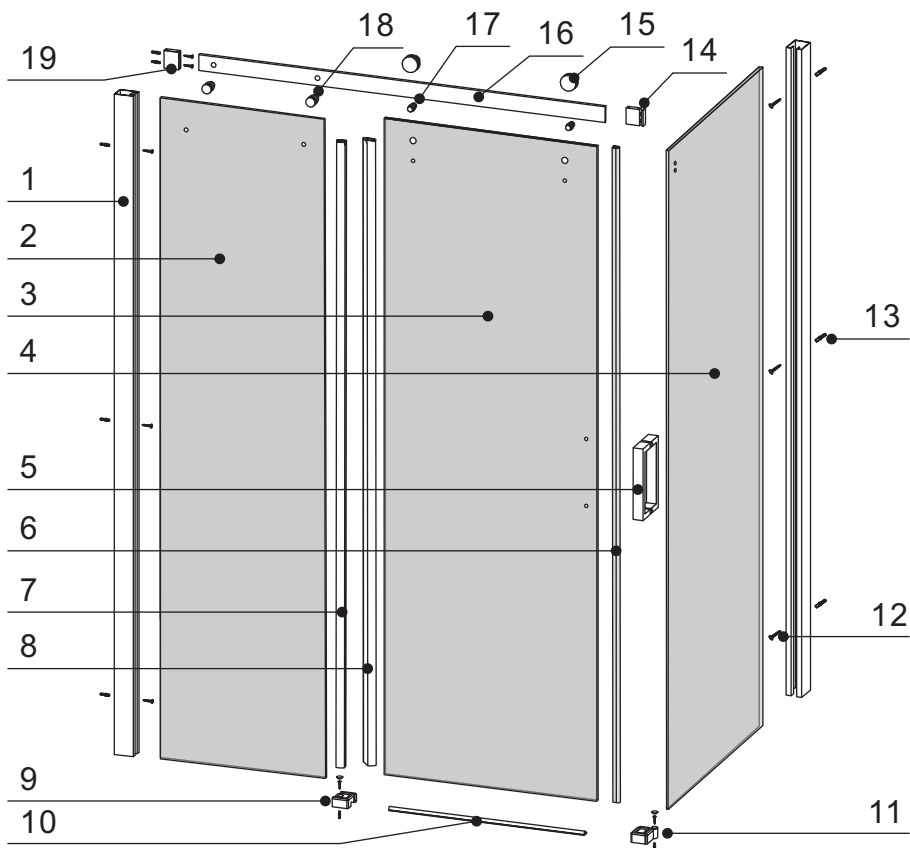
### IMPORTANT

- Thoroughly inspect your product before proceeding with the installation.
- The warranty will be void if the product is installed with a conspicuous defect.

### CAUTION

- To prevent leaks, silicone must be applied on the outside of the shower and not on the inside!
- Read all instructions carefully before starting the installation.
- Save this manual for future reference.

## Parts Identification



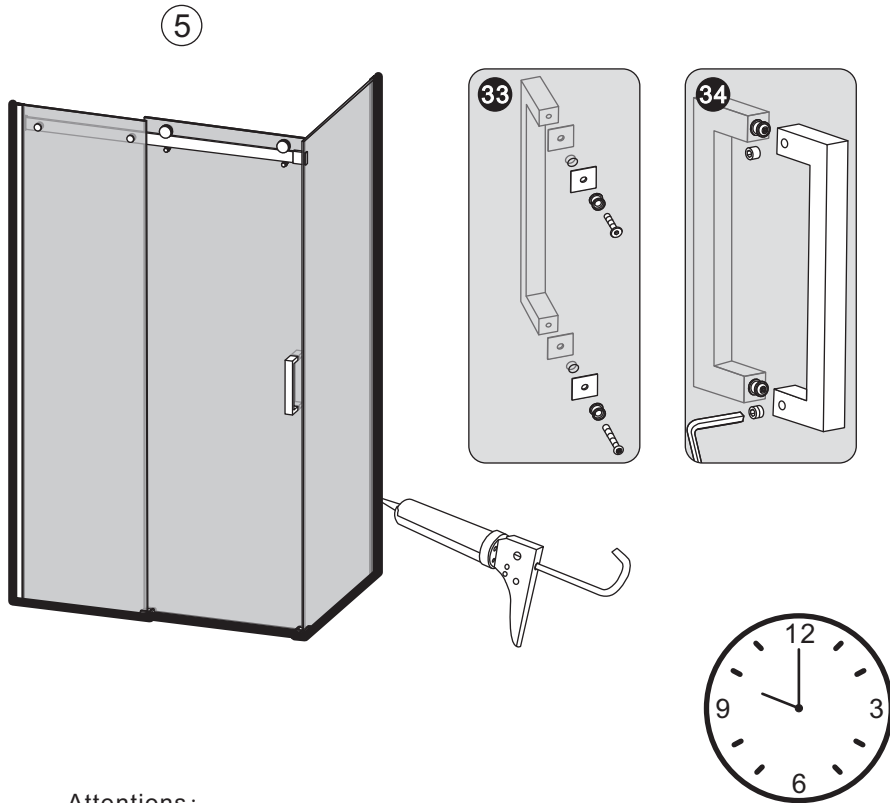
NO.	Element	QTY
①	Stainless steel profile	2
②	Fixed glass	1
③	Sliding glass door	1
④	Side glass	1
⑤	Stainless steel handle	1
⑥	Impact-preventing	1
⑦	Water-proof strip	1
⑧	Impact-preventing water-proof strip	1
⑨	Backsplash kit I	1

NO.	Element	QTY
⑩	Chrome backplash	1
⑪	Backsplash kit II	1
⑫	Screw	10
⑬	Wall anchor	10
⑭	Bracket	1
⑮	Stainless steel roller	2
⑯	Stainless steel rolling bar	1
⑰	Safety kit	2
⑱	Glass fixing kit	2
⑲	Wall bracket	1

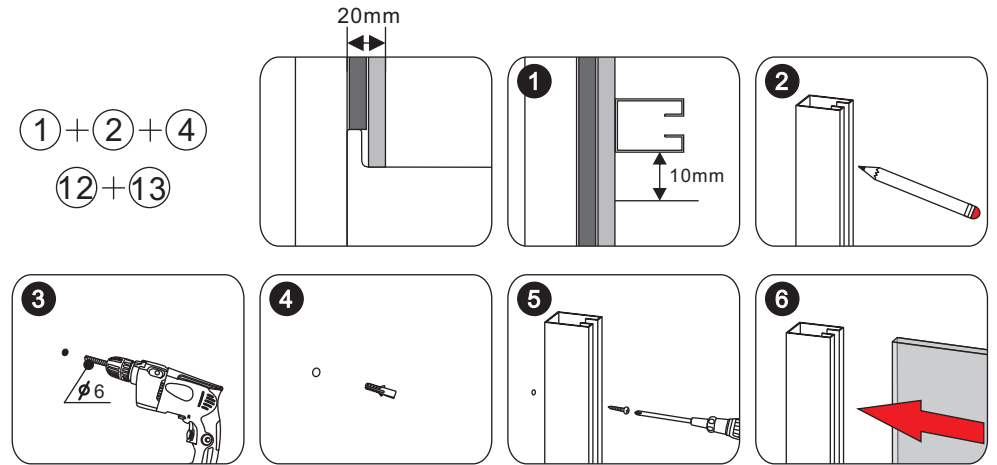
## Attentions and maintenance

- 1: Please keep the base clean, avoid hairs or dirties block up drainage pipes. If some water scale on the surface of bases, please use soft wet cloth with tooth paste to clean.
- 2: Please do not use acidic, alkaline or organic solvent (such as alcohol, thinners, ammonia water, acetone and so on) to clean the surface of products, suggest using neutral alcohol to do cleaning.
- 3: For plated items, use soft cloth to clean, do not use tough cloth.
- 4: Alloyed aluminium maintenance: For oxidation coloring (such as golden, matt silver, chrome, polished), do not use tough cloth to clean, can not scratch the surface with sharp objects; If some dirties on the surface, please use alcohol to clean.

# CONTINUED

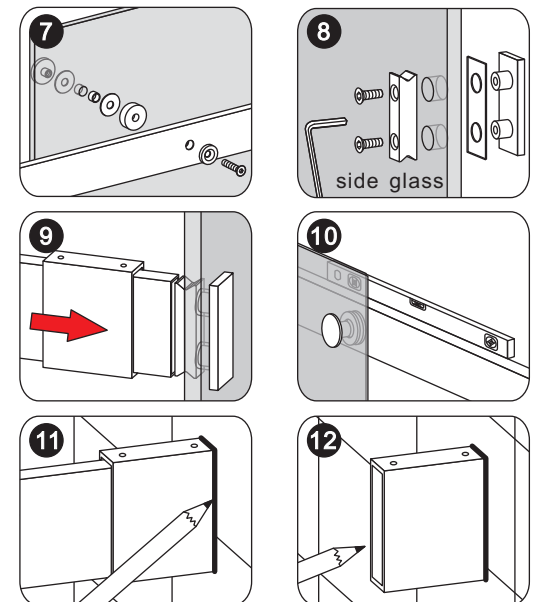
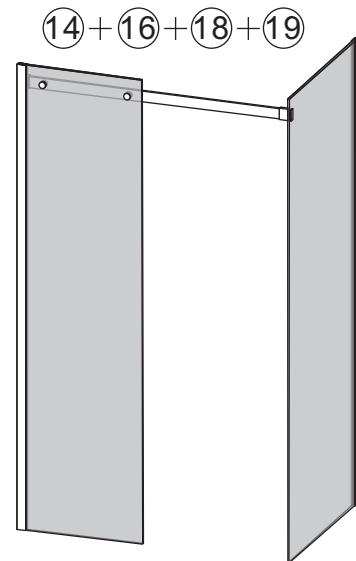


**Attentions:**  
 Showering is banned within 24 hours after silicone; If bad weather such as rainy days or in winter, longer time is needed.

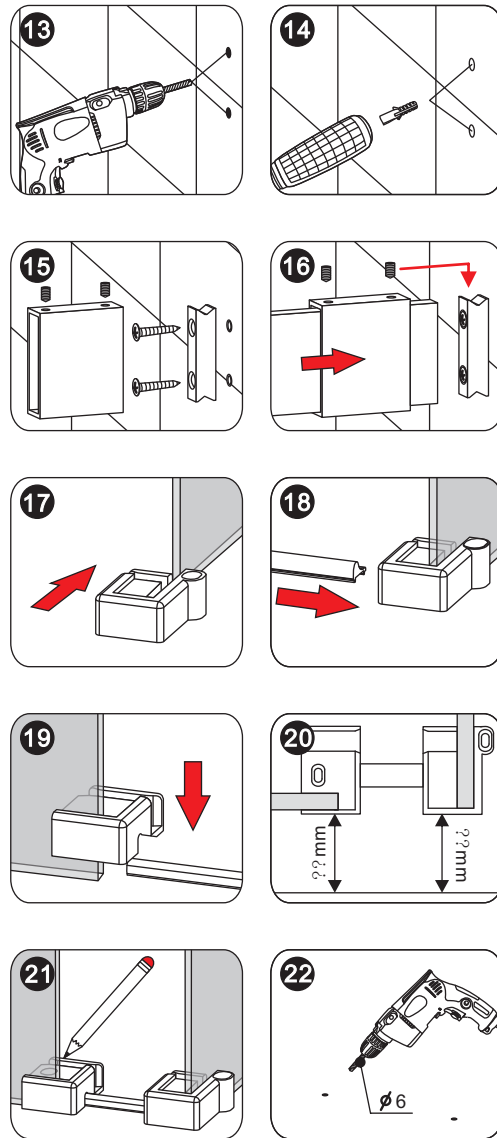
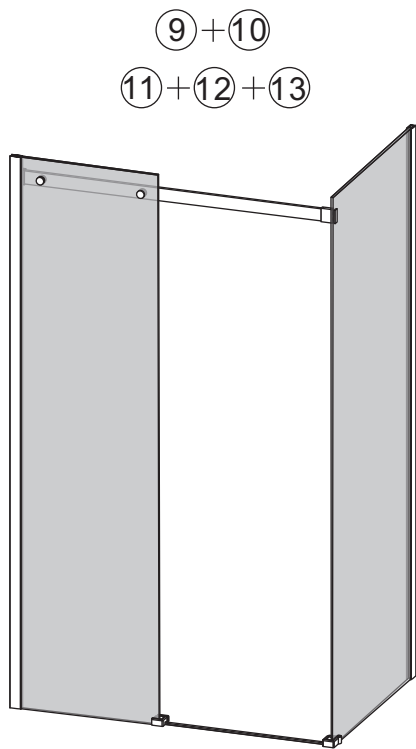


### WARNING!

- To protect your shower base finish.
- Wait 24h before proceeding with the installation of the shower door.
- This will ensure that the finish and mortar are dry.

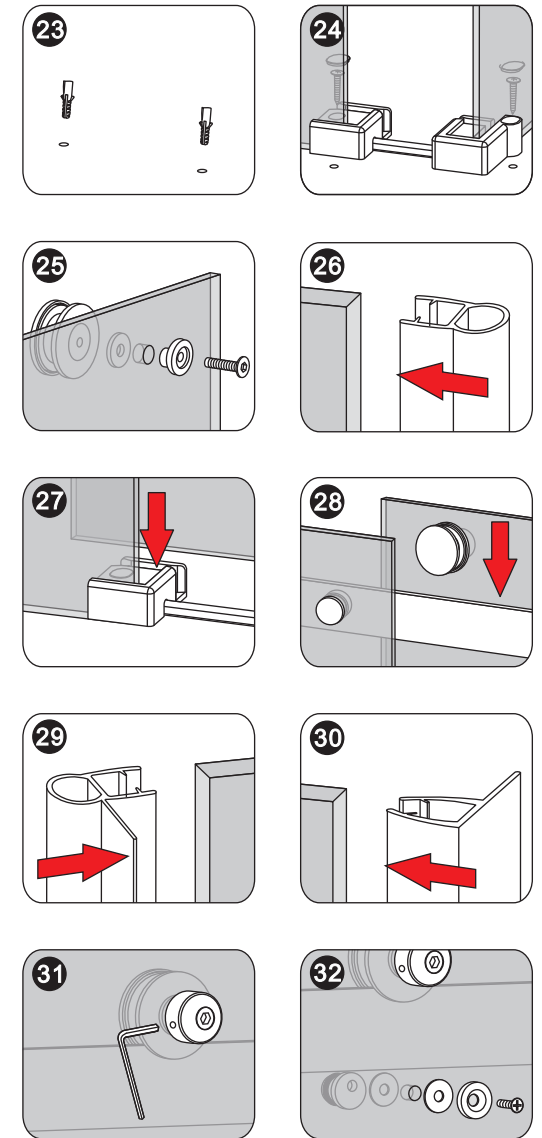
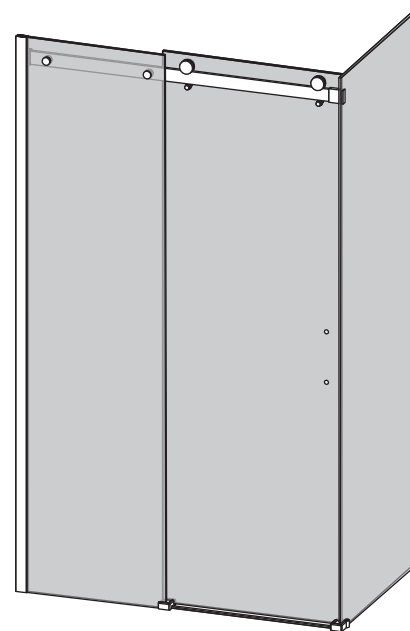


- Temporary installation for the glass fixing kit.
- Fix the bracket onto the side glass, keep the rolling bar level.
- Then temporary installation for the wall bracket and mark its place with pencil.
- Take off the glass fixing kit.



- Drill the holes where the wall bracket will be fixed, and knock the wall anchor into the hole; then screw up the wall bracket and install the rolling bar again.
- Fix the backplash kit and the chrome backplash at the bottom, keep the backplash paralleled to the front edge of the base, mark the place of the holes to be drilled, take off them, drill the holes, do again as above.

③+⑥+⑦+⑧  
⑫+⑬+⑮+⑰



- Respectively install the rollers, impact-preventing strip, water-proof strip and impact-preventing water-proof strip.
- Then, firstly place the door glass into the backplash kit; secondly place the door glass on the rolling bar; thirdly, respectively adjust the rollers to make the impact-preventing strip and the side glass aligned
- Finally fix all the safety kits