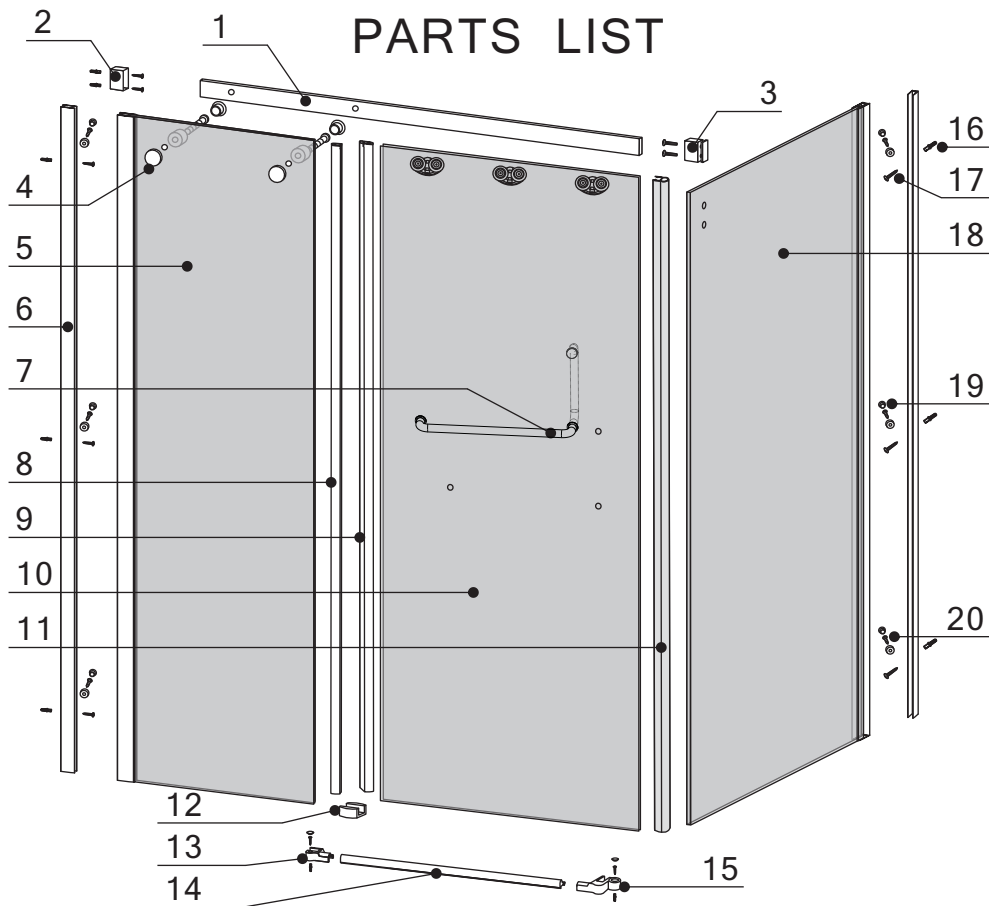


Shower enclosure
Installation Instruction



PARTS LIST

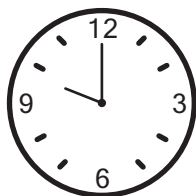
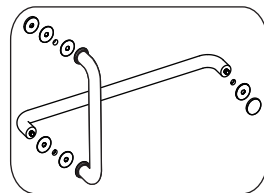
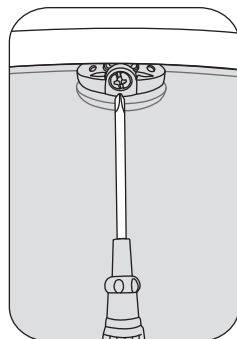
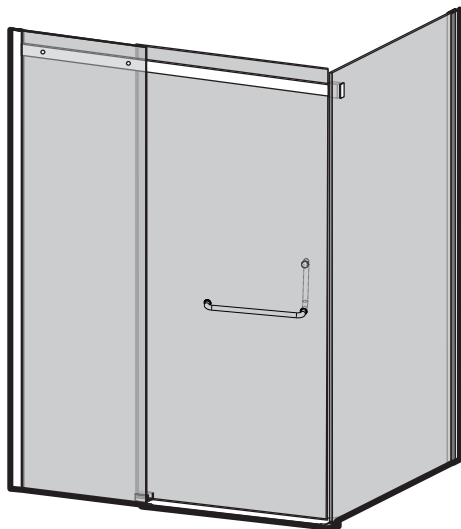
NO.	Description	QTY
①	Alloyed aluminium rolling bar	1
②	Wall bracket	1
③	bracket	1
④	Glass fixing kit	2
⑤	Fixed glass	1
⑥	Wall channel	2
⑦	Stainless steel handle	1
⑧	Water-proof strip	1
⑨	Impact-preventing water-proof strip	1
⑩	Sliding glass door	1

NO.	Description	QTY
⑪	Impact-preventing	1
⑫	Pendulum-preventing kit	1
⑬	Backsplash kit I	1
⑭	Chrome backsplash	1
⑮	Backsplash kit II	1
⑯	Wall anchor	12
⑰	ST3. 9*32	12
⑱	Side glass	1
⑲	Decorating cap	6
⑳	ST3. 9*9. 5	6

Attentions and maintenance

- 1: Please keep the base clean, avoid hairs or dirties block up drainage pipes. If some water scale on the surface of bases, please use soft wet cloth with tooth paste to clean.
- 2: Please do not use acidic、alkaline or organic solvent (such as alcohol、thinners、ammonia water、acetone and so on) to clean the surface of products, suggest using neutral alcohol to do cleaning.
- 3: For plated items, use soft cloth to clean, do not use tough cloth.
- 4: Alloyed aluminium maintenance: For oxidation coloring (such as golden、matt silver、chrome、polished) , do not use tough cloth to clean, can not scratch the surface with sharp objects; If some dirties on the surface, please use alcohol to clean.

Step 4

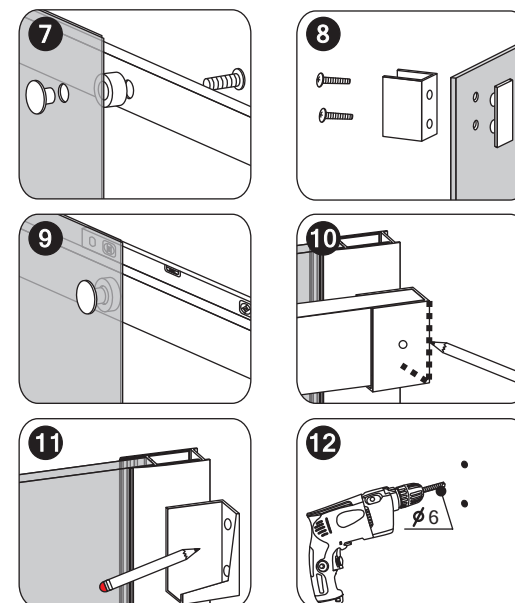
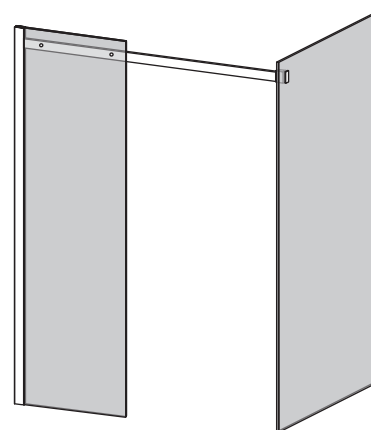
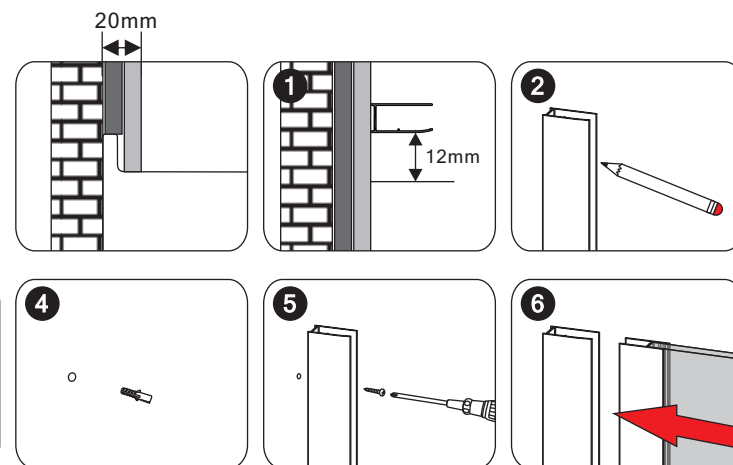


Attentions:

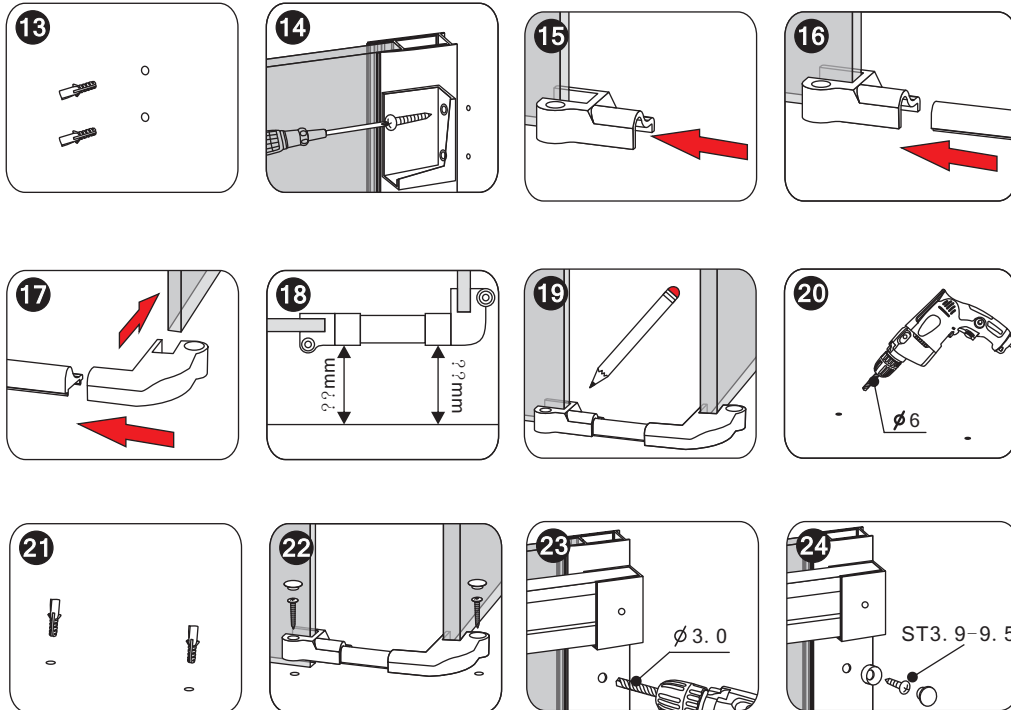
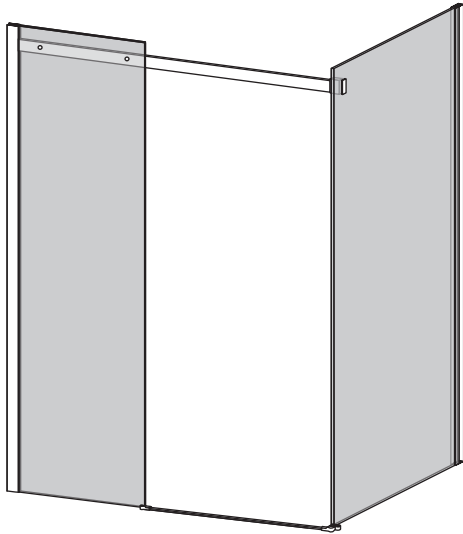
Showering is banned within 24 hours after silicone; If bad weather such as rainy days or in winter, longer time is needed.

Installation Sequences

Step 1



Step 2



Step 3

