

MEIAO™

Perfection is our Tradition™

HAND MADE STAINLESS STEEL SINK

Customer No. : 109-02TH

Model: 2418R

Product NO. : K-MA

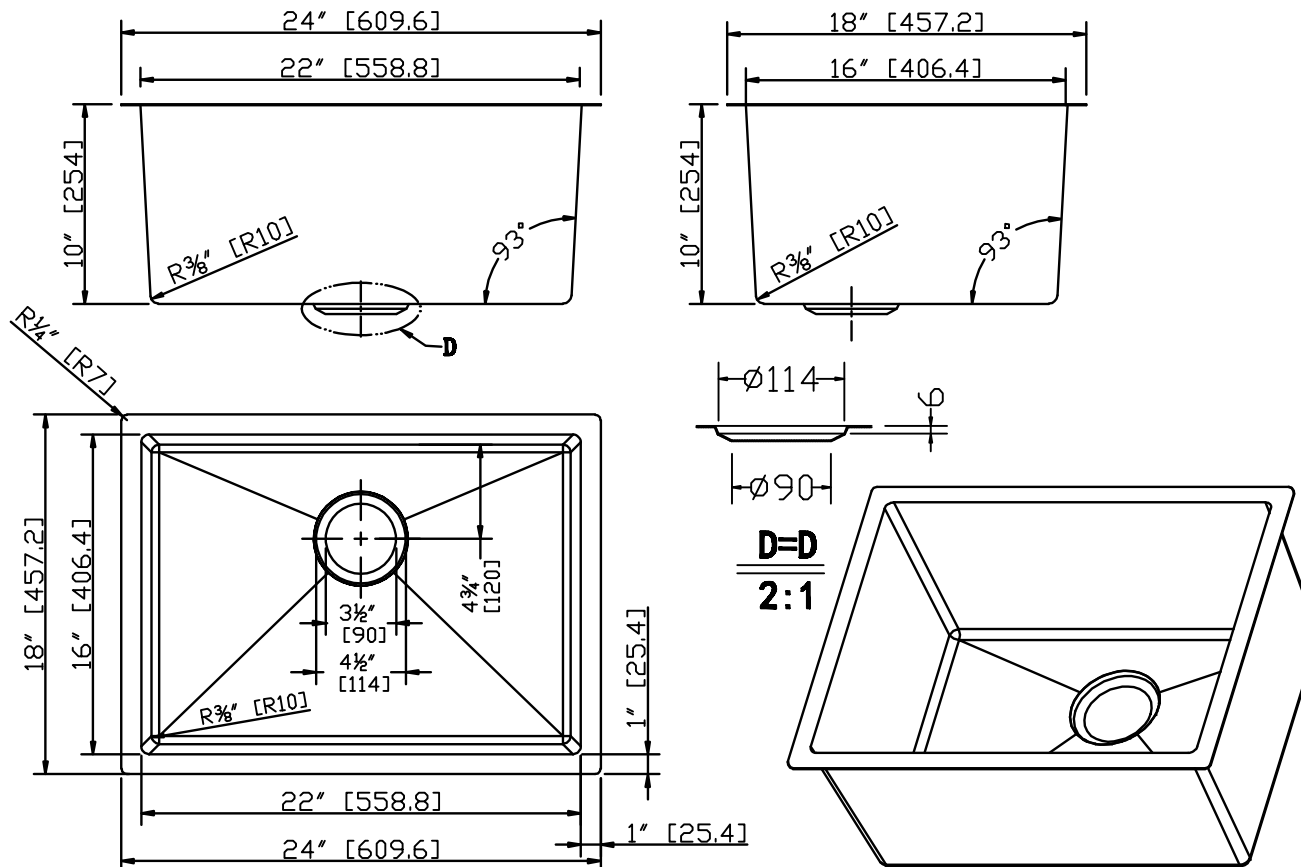
Dimensions: 24in.L x 18in.W x 10in.H

Material: SUS304 16Gauge

Date: 2021-07-06

QTY: 50

Material Size:



For more information visit us at www.meiaosink.com or E-mail us at irene@meiaosink.com