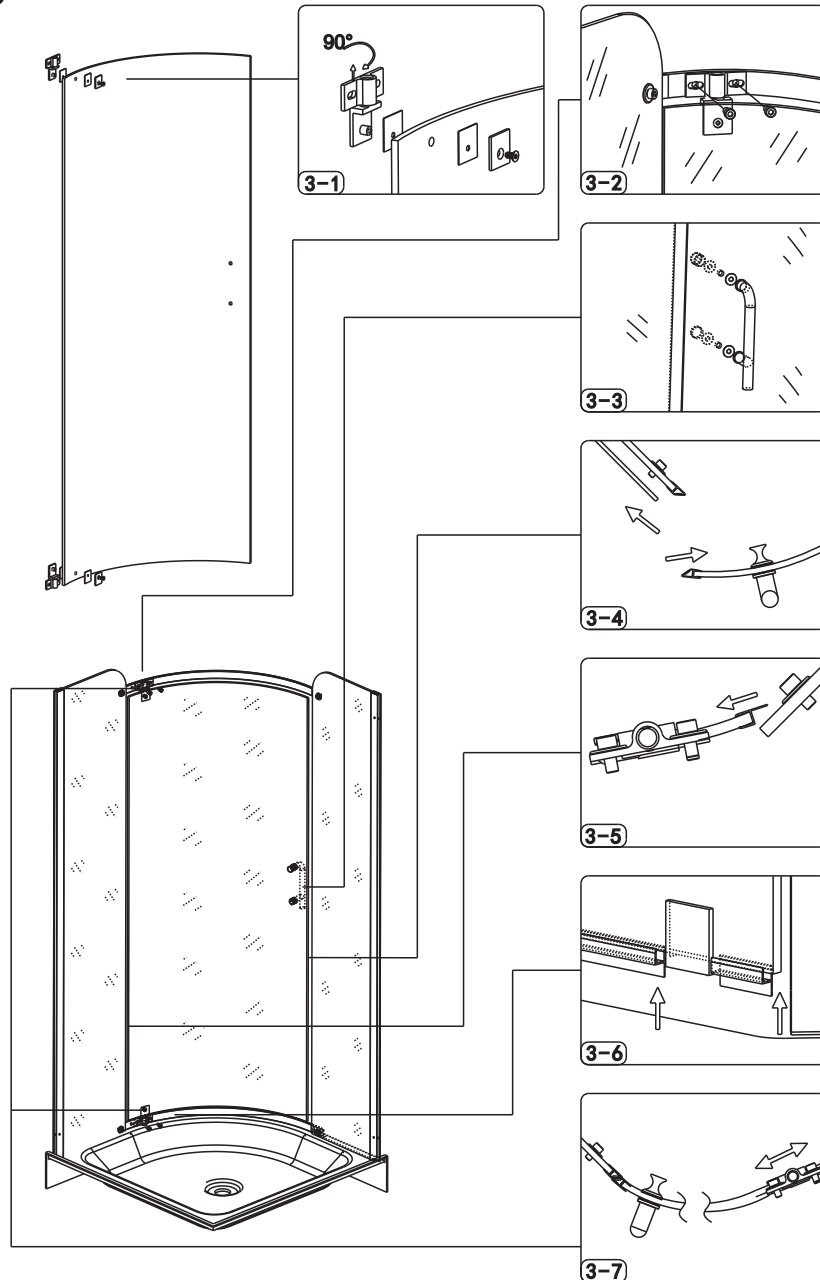
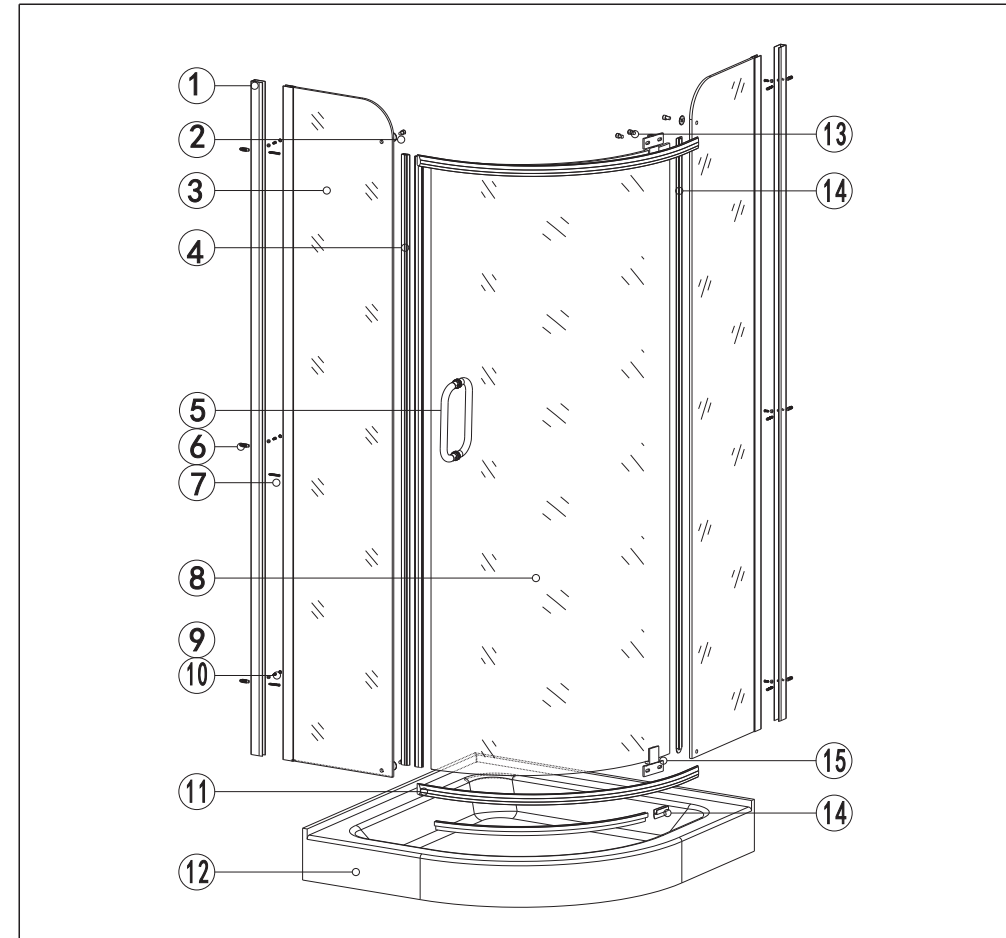

















Installation Drawing

Step 3





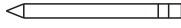


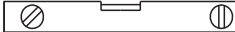



Parts Identification



NO	material name	Figure	QTY	NO	material name	Figure	QTY
①	wall proefile		2	⑧	Glass door		1
②	Glass screw fixation M8*16		4	⑨	Screw cap		6
③	Fixed glass		2	⑩	screw st3. 9*13		6
④	magnetic strip		2	⑪	The fixed rod		2
⑤	handle		1	⑫	At the end of the basin		1
⑥	boit		6	⑬	Door screw fixation m8*10		4
⑦	screw st3. 9*35		6	⑭	Waterproof strip		2
				⑮	Unidirectional rotation		2

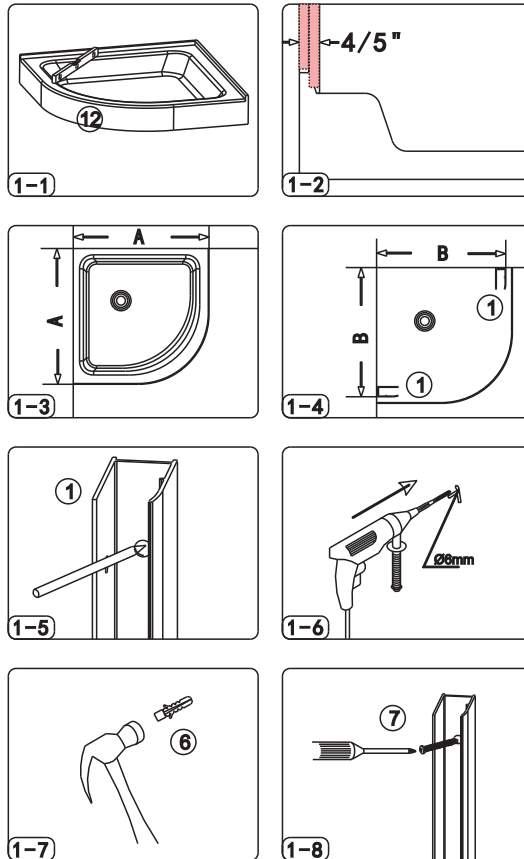
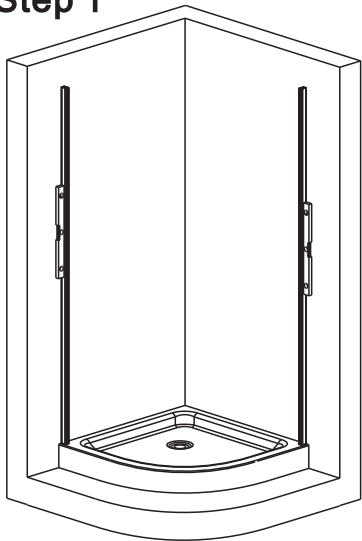
Tools list/Installation Sequences

Tools list

Electrical Drill	Drill Bit ($\phi 6, \phi 3.2$)	Pencil
		
Phillips Screwdriver	Measuring Tape	Level
		
Hammer	Caulk	Six angle wrench
		

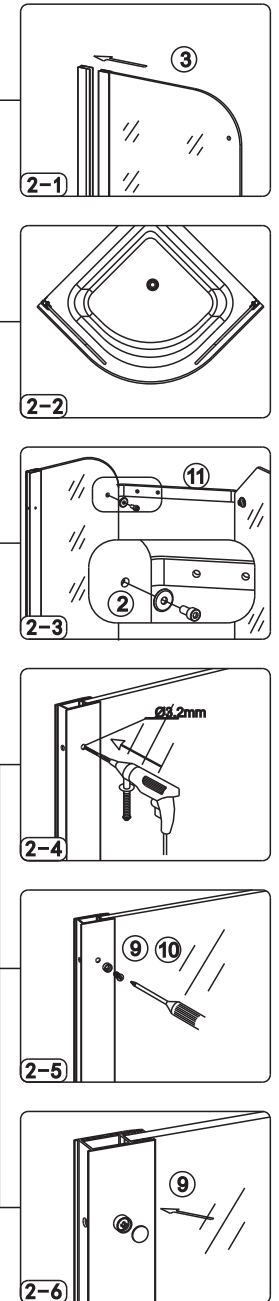
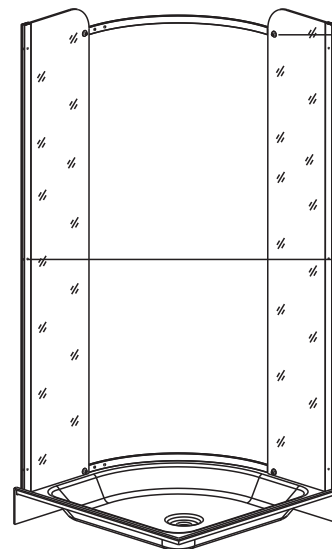
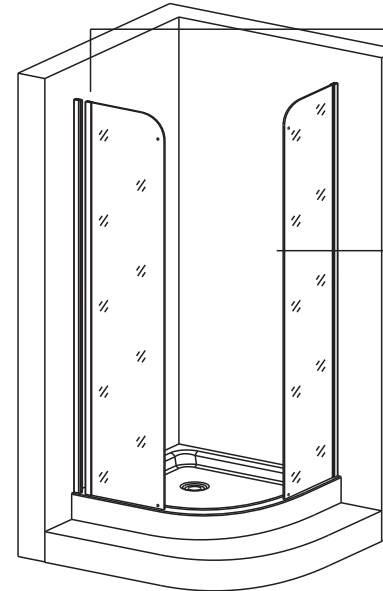
Installation Sequences

Step 1



Installation Drawing

Step 2



Contents

Maintenance

Welcome to use our Shower enclosure. Before you install your shower enclosure, please read these instructions carefully to familiarize yourself with the required tools, materials, and installation sequences. Follow the sections that pertain to your particular installation. In addition to proper installation, read all operating and safety instructions.

Installation Drawing 1
 Installation Sequences 2-3
 Maintenance 4

- A: Pls keep the shower base clean and avoid to block up the drainer by hair or others. Using wet and soft cloth with toothpaste to clean the water scale on the shower base.**
- B: Do not use any detergent of high concentration of acid or alkalic or organic solvent to clean the bathtub surface, including surface, plastic fitting, aluminum bottom frame, other fittings etc). Advice to clean with cleanser essence**
- C: Use drop cloth to clean chromed parts**
- D: Do not recommend the use of abrasive cleaners on any of its products. Harsh cleaners will damage the metal of glass finish on your shower enclosure**
- E: Maintenance of aluminum frame**
 - 1. For painted surface of aluminum frame: Firstly prevent from direct sunshine, or the surface painting color will be light; Second, do not use any caustic cleaners; Third, do not use any crude material to clean the surface. Forth, do not use knife to touch it.**
 - 2. For Bright silver surface of aluminum frame: it is better comparing with painted surface, but the hardness is not so good, so do not use any crude material to clean it, also no knife etc.**